

BRAMAH
SOLUCIONES INDUSTRIALES



HIDRÁULICA

20

CATÁLOGO
HIDRÁULICA

www.BRAMAH.es

RACORERÍA / FITTINGS

SWAGING SLEEVES / MINIMEX	3	MANGUITOS PARA PRENSAR / MINIMEX	
SWAGING FITTINGS	4	RACORES PARA PRENSAR	
BSP thread	4	Rosca BSP	
Metric thread - 60° seat	4	Rosca métrica - Asiento 60°	
Metric thread - Light series - 24° seat	5	Rosca métrica - Serie ligera - asiento 24°	
Metric thread - Heavy series - 24° seat	5	Rosca métrica - Serie pesada - asiento 24°	
Special for hammer	6	Especiales para martillo	
Metric thread - French series - 24° seat	6	Rosca métrica - Serie francesa - Asiento 24°	
JIC thread	7	Rosca JIC	
SAE and NPT thread	7	Rosca SAE y NPT	
ORFS thread	8	Rosca ORFS	
Smooth standpipe and cleaning fittings	8	Espigas lisas y racores para limpieza	
Japanese series - Toyota - 60° series	9	Serie japonesa - Toyota - Asiento 60°	
Komatsu series	9	Serie Komatsu	
Banjos - flanges and half-flanges	10	Orientables - Bridas y semibridas	
3000 PSI flanges	10	Bridas 3000 PSI	
6000 PSI flanges	11	Bridas 6000 PSI	
Caterpillar flanges	11	Bridas Caterpillar	
Interlock	12	Interlock	
Interlock - BSP and BSPT thread	12	Interlock - Rosca BSP y BSPT	
Interlock - Metric thread - Heavy series - 24° seat	12	Interlock - Rosca métrica - S/ Pesada - Asiento 24°	
Interlock - ORFS	13	Interlock - ORFS	
Interlock - JIC and NPT thread	13	Interlock - Rosca JIC y NPT	
Interlock - 3000 PSI flanges (SAE J 518)	13	Interlock - Bridas 3000 PSI (SAE J 518)	
Interlock - 6000 PSI flanges (SAE J 518)	14	Interlock - Bridas 6000 PSI (SAE J 518)	
Interlock - Caterpillar flanges	14	Interlock - Bridas Caterpillar	
Interlock - Poclain flanges	14	Interlock - Bridas Poclain	
Global No-Skive R1AT and R2AT fittings	15	Global No-Pelar Racores para R1AT y R2AT	
Global No-Skive 4SH, R13 and R15 fittings	19	Global No-Pelar Racores para 4SH, R13 y R15	
ACCESSORIES	22	ACCESORIOS	

BRAMA H
SOLUCIONES INDUSTRIALES

ADAPTADORES / ADAPTERS

24	ÍNDICE DE TODAS LAS REFERENCIAS
27	BSI 5200
32	SAE J514
37	ORFS
40	DIN 2353

ENCHUFES RÁPIDOS / QUICK COUPLINGS

97	ÍNDICE DE TODAS LAS REFERENCIAS ENCHUFES RÁPIDOS / VÁLVULAS ANTIRETORNOS
-----------	--

MANGUERAS / HOSES

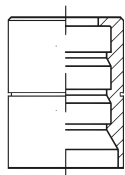
127	MANGUERA HIDRÁULICA / HYDRAULIC HOSE
127	1130 ESPECIAL AGRICULTURA
127	2503 SAE 100 R5
128	2502 DIN 2 TE
128	2230 SAE 100 R1AT DIN EN 853 / 1 SN
129	2230 SAE 100 R1AT DIN EN 853 / 1 SN
129	3511 SAE 100 R2AT DIN EN 853 / 2 SN
130	3511 SAE 100 R2AT DIN EN 853 / 2 SN
130	2239 SAE 100 R1AT DIN EN 857 / 1 SN
131	3539 SAE 100 R1AT DIN EN 857 / 2 SN
131	EQUATOR/1 EN 853 1SN SAE 100 R1AT - EXTREMA TEMPERATURA / TEMPERATURE EXTREME
132	EQUATOR/2 EN 853 2SN SAE 100 R2AT - EXTREMA TEMPERATURA / TEMPERATURE EXTREME
132	3515 SUPERJET / 2T
133	3515 SUPERJET / 2T
133	4290 DIN EN 856 / 4SP SAE 100 R9R
134	4290 DIN EN 856 / 4SP SAE 100 R9R
134	4270 DIN EN 856 / 4SH
135	4270 DIN EN 856 / 4SH
135	4250 SAE 100 R12 - EN 856 R12
136	6250 SAE 100 R13 - EN 856 R13
136	6271 R15 - EXCEDE SAE 100 R15 / EXCEEDS SAE 100 R15
137	TERMOPLÁSTICA / THERMOPLASTIC
137	2940 SAE 100 R7
137	2941 SAE 100 R7
138	2944 SAE 100 R7
138	3940 SAE 100 R7
139	VE 7 SAE 100 R7
139	3944 SAE 100 R7
140	PFTE
140	2905 PTFE
140	2905AS PTFE
140	2907 PTFE
140	2907AS PTFE
141	2900 PTFE
141	2903 PTFE LISO + POLIPARAFENILENO TEREFTALAMIDA
142	MANGUERA FLEXIBLE / FLEXIBLE HOSE
142	7500 TUBO INTERIOR: AISI-316 (REFUERZO: 1 MALLA AISI-304)
144	7321 TUBO INTERIOR: AISI-321 (REFUERZO: 1 MALLA AISI-304)
146	7325 TUBO INTERIOR: AISI-321 (REFUERZO: 2 MALLAS AISI-304)
148	TERMINALES PARA SOLDAR / WELD TERMINALS

MANGUITOS PARA PRENSAR / MINIMEX - TUBERÍA Y CONEXIONES

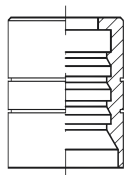
COUPLING PRESS / MINIMEX - HOSE AND COUPLINGS

MANGUITOS PARA PRENSAR

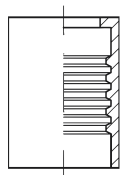
SWAGING SLEEVES



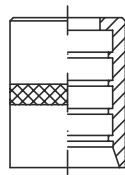
00100 ●
SAE 100
R1A



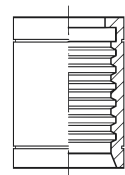
00200 ●
SAE 100
R2A



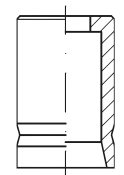
00300 ●
SAE 100
R5



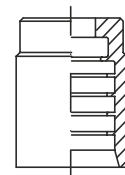
00800 ●
SAE 100
R7 SUPERJET



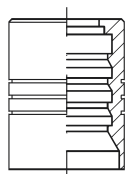
00500 ●
PTFE



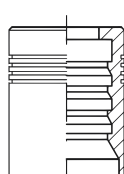
00505 ●
PTFE
corrugado



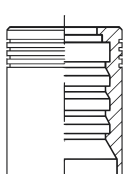
03300 ●
SAE 100
R1AT - R2AT



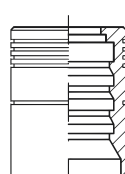
00900
SAE 100
R9R



09900
SAE 100 R9R
Multiespiral



01000
SAE 100
R10



01900
SAE 100
4SH

Ø Int. Tubo Int. Tube	Rosca BSP BSP thread	Galga Dash
3/16"	4,8	03
1/4"	6,3	04
5/16"	8	05
3/8"	9,5	06
1/2"	12,7	08

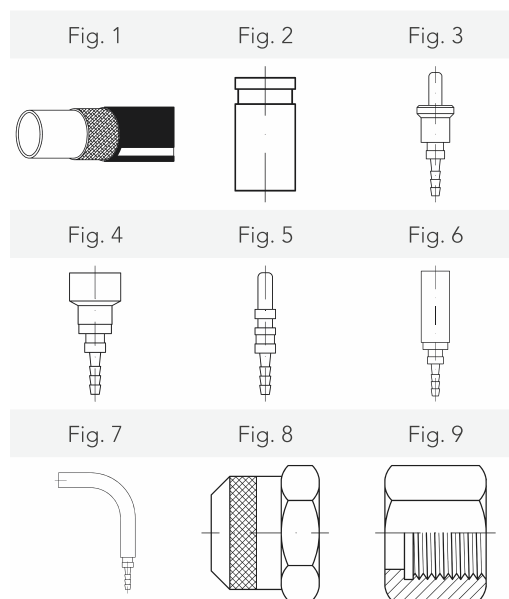
Ø Int. Tubo Int. Tube	Rosca BSP BSP thread	Galga Dash
5/8"	16	10
3/4"	19	12
1"	25,4	16
1 1/4"	32	20

Ø Int. Tubo Int. Tube	Rosca BSP BSP thread	Galga Dash
1 1/2"	38	24
2"	50,8	32
2 1/2"	63,5	40
3"	76,2	48

MINIMEX - TUBERÍA Y CONEXIONES

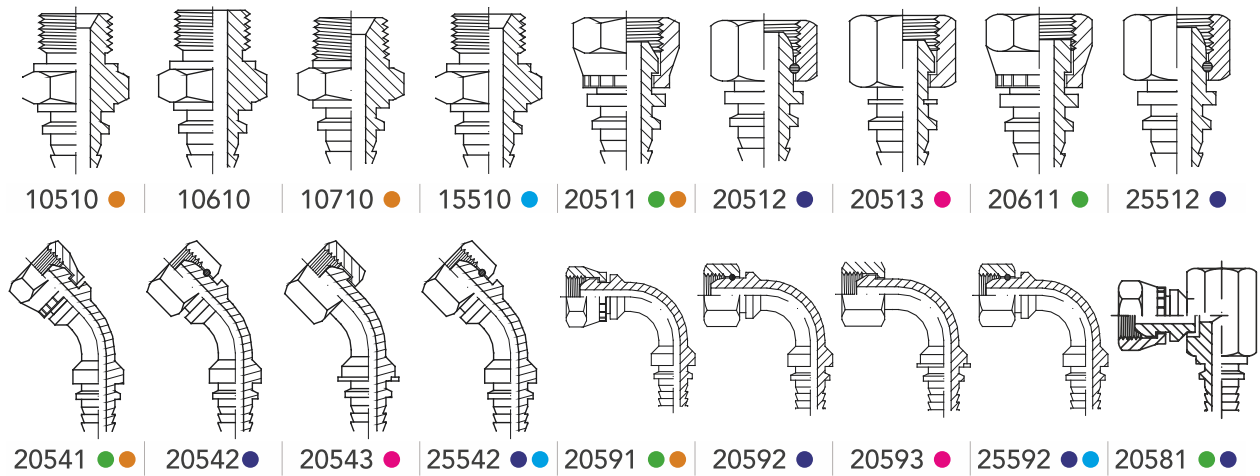
MINIMEX - HOSE AND COUPLINGS

Descripción / description	Fig.	Ref.
Tubería MINIMEX DN 2. Presión 630 bar MINIMEX piper DN 2. Pressure 630 bar	1	1600-02
Casquillo para prensar DN-2 Crimping nipple DN-2	2	01500-02
Terminal para tuerca métrica Terminal for metric thread	3	21011-02-16
Terminal para toma manómetro 1/4" BSP Terminal for making gauge 1/4" BSP	4	20511-02-04AP
Terminal acoplamiento válvula Terminal valve coupling	5	14810-02
Terminal espiga lisa Ø 6 mm. Terminal smooth shank Ø 6mm.	6	22010-02-06
Terminal espiga lisa Ø 8 mm. Terminal smooth shank Ø 8mm.	6	22010-02-08
Terminal espiga lisa a 90° Ø 6 mm. Terminal 90° smooth shank Ø 6 mm.	7	22090-02-06
Tuerca M16x2 M16x2 nut	8	500-16-20
Tuerca M16x1,5 Crimping nipple DN-2	8	500-16-15
Tuerca 1/4" BSP para manómetro	9	630-02-04



ROSCA BSP

BSP THREAD

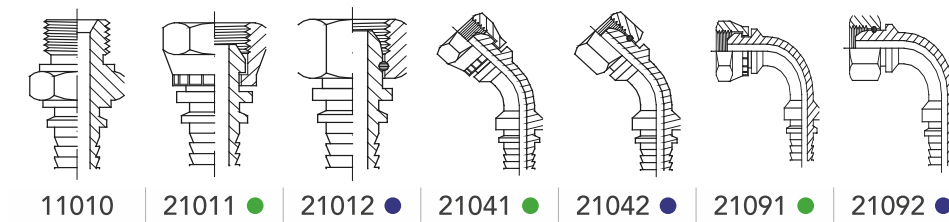


Los racores de la segunda fila (20541 - 20581) no están disponibles para las medidas 2 1/2" y 3"
 The couplings of the second row (20541-20581) are not available for measures 2 1/2" and 3"

Ø Int. Tubo Ø Int. Tube	Rosca BSP BSP Thread	Galga Dash	Ø Int. Tubo Ø Int. Tube	Rosca BSP BSP Thread	Galga Dash	Ø Int. Tubo Ø Int. Tube	Rosca BSP BSP Thread	Galga Dash
3/16"	1/8"-28h	03-02	3/8"	1/2"-14h	06-08	1"	1"-11h	16-16
3/16"	1/4"-19h	03-04	1/2"	3/8"-19h	08-06	1"	1 1/4"-11h	16-20
1/4"	1/8"-28h	04-02	1/2"	1/2"-14h	08-08	1 1/4"	1 1/4"-11h	20-20
1/4"	1/4"-19h	04-04	1/2"	5/8"-14h	08-10	1 1/4"	1 1/2"-11h	20-24
1/4"	3/8"-19h	04-06	1/2"	3/4"-14h	08-12	1 1/2"	1 1/2"-11h	24-24
5/16"	1/4"-19h	05-04	5/8"	5/8"-14h	10-10	1 1/2"	2"-11h	24-32
5/16"	3/8"-19h	05-06	5/8"	3/4"-14h	10-12	2"	2"-11h	32-32
3/8"	1/4"-19h	06-04	3/4"	3/4"-14h	12-12	2 1/2"	2 1/2"-11h	40-40
3/8"	3/8"-19h	06-06	3/4"	1"-11h	12-16	3"	3"-11h	48-48

ROSCA MÉTRICA - ASIENTO 60°

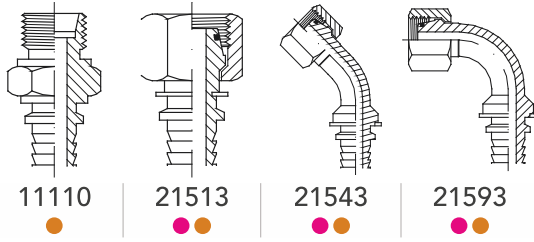
METRIC THREAD - 60° SEAT



Ø Int. Tubo Ø Int. Tube	Rosca Mét. Met. Thread	Galga Dash	Ø Int. Tubo Ø Int. Tube	Rosca Mét. Met. Thread	Galga Dash	Ø Int. Tubo Ø Int. Tube	Rosca Mét. Met. Thread	Galga Dash
3/16"	10 x 1	03-08	3/8"	16 x 1,5	06-16	5/8"	30 x 1,5	10-30
3/16"	12 x 1,5	03-12	3/8"	18 x 1,5	06-18	3/4"	26 x 1,5	12-26
1/4"	12 x 1,5	04-12	3/8"	20 x 1,5	06-20	3/4"	30 x 1,5	12-30
1/4"	14 x 1,5	04-14	3/8"	22 x 1,5	06-22	1"	38 x 1,5	16-38
1/4"	16 x 1,5	04-16	1/2"	18 x 1,5	06-18	1 1/4"	45 x 1,5	20-45
5/16"	16 x 1,5	05-16	1/2"	20 x 1,5	08-20	1 1/2"	52 x 1,5	24-52
5/16"	18 x 1,5	05-18	1/2"	22 x 1,5	08-22	2"	65 x 2	32-65
3/8"	14 x 1,5	06-14	5/8"	26 x 1,5	10-26			

Tuerca prensada Swaging nut ● Multispiral Multispiral ● Tuerca desplazable Travelling nut ● Tuerca engargolada Wire nut ● Disponible en Inox. AISI-316 ●

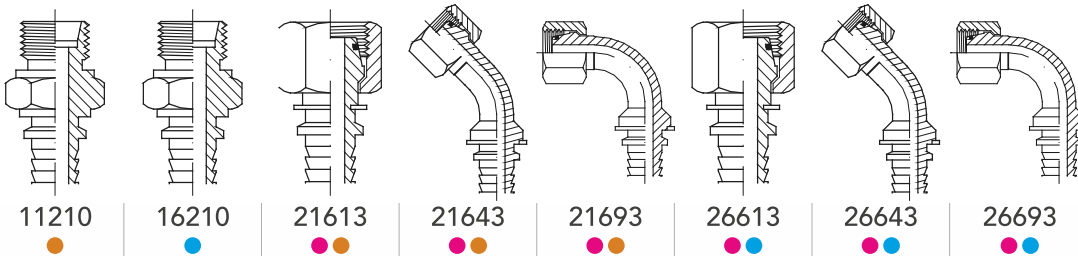
ROSCA MÉTRICA - SERIE LIGERA - ASIENTO 24°
METRIC THREAD - LIGHT SERIES - 24° SEAT



Ø Int. Mang. Ø Int. Hose	Rosca Mét. Met. Thread	Ø Tubo (mm) Ø Tube (mm)	Galga Dash
3/16"	12x1,5	6	03-12
1/4"	12x1,5	6	04-12
1/4"	14x1,5	8	04-14
1/4"	16x1,5	10	04-16
1/4"	18x1,5	12	04-18
5/16"	14x1,5	8	05-14
5/16"	16x1,5	10	05-16
5/16"	18x1,5	12	05-18
3/8"	16x1,5	10	06-16
3/8"	18x1,5	12	06-18
3/8"	22x1,5	15	06-22

Ø Int. Mang. Ø Int. Hose	Rosca Mét. Met. Thread	Ø Tubo (mm) Ø Tube (mm)	Galga Dash
1/2"	18x1,5	12	08-18
1/2"	22x1,5	15	08-22
1/2"	26x1,5	18	08-26
5/8"	26x1,5	18	10-26
5/8"	30x2	22	10-30
3/4"	26x1,5	18	12-26
3/4"	30x2	22	12-30
1"	36x2	28	16-36
1 1/4"	45x2	35	20-45
1 1/2"	52x2	42	24-52

ROSCA MÉTRICA - SERIE PESADA - ASIENTO 24°
METRIC THREAD - HEAVY SERIES - 24° SEAT

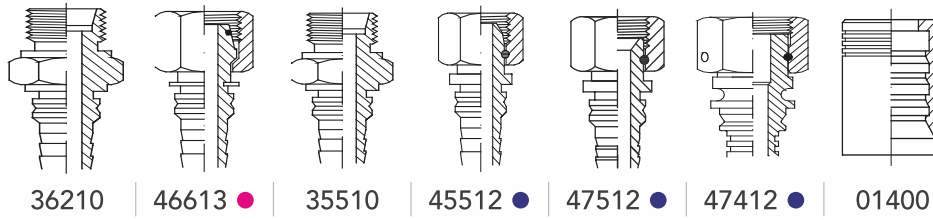


Ø Int. Mang. Ø Int. Hose	Rosca Mét. Met. Thread	Ø Tubo (mm) Ø Tube (mm)	Galga Dash
3/16"	16x1,5	8	03-16
1/4"	14x1,5	6	04-14
1/4"	16x1,5	8	04-16
1/4"	18x1,5	10	04-18
5/16"	16x1,5	8	05-16
5/16"	18x1,5	10	05-18
5/16"	20x1,5	12	05-20
3/8"	18x1,5	10	06-18
3/8"	20x1,5	12	06-20
3/8"	22x1,5	14	06-22
1/2"	22x1,5	14	08-22

Ø Int. Mang. Ø Int. Hose	Rosca Mét. Met. Thread	Ø Tubo (mm) Ø Tube (mm)	Galga Dash
1/2"	24x1,5	16	08-24
5/8"	30x2	20	10-30
3/4"	30x2	20	12-30
3/4"	33x1,5	25	12-33
3/4"	36x2	25	12-36
1"	36x2	25	16-36
1"	42x2	30	16-42
1"	52x2	38	16-52
1 1/4"	48,8x16h"	35	20-48,8
1 1/4"	52x2	38	20-52
1 1/2"	52x2	38	24-52

ESPECIALES PARA MARTILLO

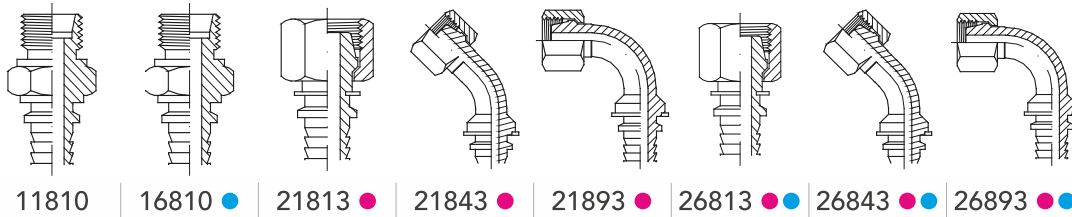
HAMMER SPECIAL



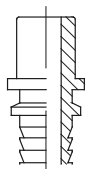
Ø Int. Mang. Ø Int. Hose	Rosca Thread	Ø Tubo (mm) Ø Tube (mm)	Galga Dash	Ø Int. Mang. Ø Int. Hose	Rosca Thread	Ø Tubo (mm) Ø Tube (mm)	Galga Dash
3/4"	M36x2	25	12-36 00	3/4"	M36x2	25	12-36 00
1"	M42x2	30	16-42 00	1"	M42x2	30	16-42 00
20"	M52X2	38	20-52 00	20"	M52X2	38	20-52 00
3/4"	3/4"-14h BSP	-	12-12 00	3/4"	3/4"-14h BSP	-	12-12 00
1"	1"-11h BSP	-	16-16 00	1"	1"-11h BSP	-	16-16 00
1 1/4"	1 1/4"-14h BSP	-	20-20 00	1 1/4"	1 1/4"-14h BSP	-	20-20 00
3/4"	1 1/16"-12h JIC	-	12-12 00	3/4"	1 1/16"-12h JIC	-	12-12 00

ROSCA MÉTRICA - SERIE FRANCESA - ASIENTO 24°

METRIC THREAD - FRENCH SERIES - 24° SEAT



Ø Int. Tubo Ø Int. Tube	Rosca Mét. Met. Thread	Ø Tubo (mm) Ø Tube (mm)	Galga Dash
5/16"	20x1,5	13,25	05-20
3/8"	20x1,5	13,25	06-20
1/2"	24x1,5	16,75	08-24
5/8"	30x1,5	21,25	10-30
3/4"	30x1,5	21,25	12-30
3/4"	36x1,5	26,75	12-36
1"	45x1,5	33,50	16-45

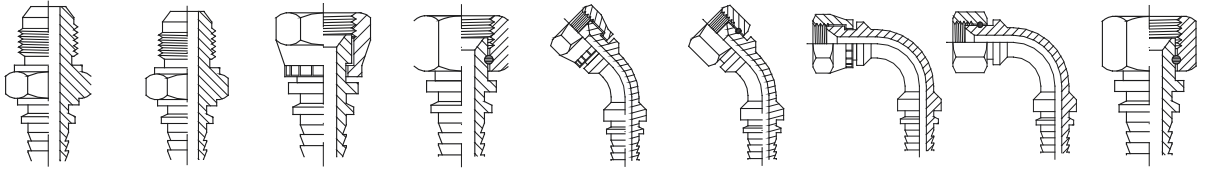


22210

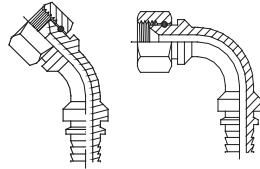
Ø Int. Manguera Int. Hose	Ø Ext. Espiga lisa Stantpipe Ext.	Galga Dash
3/8"	13,25	06-13
1/2"	16,75	08-17
1/2"	21,25	08-21
5/8"	21,25	10-21
3/4"	26,75	12-27
1"	33,25	16-33

Tuerca prensada Swaging nut ●
Multiespiral Multispiral ●
Tuerca desplazable Travelling nut ●
Tuerca engargolada Wire nut ●
Disponible en Inox. AISI-316 ●

ROSCA JIC
JIC THREAD



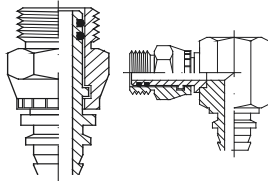
12510 ● | 17510 ● | 22511 ●● | 22512 ● | 22541 ●● | 22542 ● | 22591 ●● | 22592 ● | 27512 ●●



27542 ●● | 27592 ●●

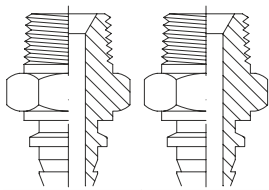
Ø Int. Mang. Ø Int. Hose	Rosca JIC JIC Thread	Galga Dash	Ø Int. Mang. Ø Int. Hose	Rosca JIC JIC Thread	Galga Dash
1/4"	7/16"-20h	04-04	5/8"	7/8"-14h	10-10
1/4"	1/2"-20h	04-05	5/8"	1 1/16"-12h	10-12
1/4"	9/16"-18h	04-06	3/4"	1 1/16"-12h	12-12
5/16"	1/2"-20h	05-05	3/4"	1 3/16"-12h	12-14
5/16"	9/16"-18h	05-06	3/4"	1 5/16"-12h	12-16
3/8"	9/16"-18h	06-06	1"	1 5/16"-12h	16-16
3/8"	5/8"-18h	06-07	1"	1 5/8"-12h	16-20
3/8"	3/4"-16h	06-08	1 1/4"	1 5/8"-12h	20-20
3/8"	7/8"-14h	06-10	1 1/4"	1 7/8"-12h	20-24
1/2"	3/4"-16h	08-08	1 1/2"	1 7/8"-12h	24-24
1/2"	7/8"-14h	08-10	2"	2 1/2"-12h	32-32
1/2"	1 1/16"-12h	08-12			

ROSCA SAE Y NPT
SAE AND NPT THREAD



14310 | 14390

Ø Int. Mang. Ø Int. Hose	Rosca SAE SAE Thread	Galga Dash
1/2"	7/8"-14h	08-10
5/8"	7/8"-14h	10-10
3/4"	1 1/16"-12h	12-12



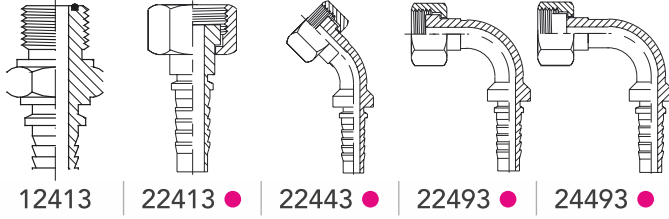
12810 ● | 17810 ●

Ø Int. Mang. Ø Int. Hose	Rosca NPT NPT Thread	Galga Dash	Ø Int. Mang. Ø Int. Hose	Rosca NPT NPT Thread	Galga Dash
3/16"	1/8"-27h	03-02	1/2"	1/2"-14h	08-08
3/16"	1/4"-18h	03-04	1/2"	3/4"-14h	08-12
1/4"	1/8"-27h	04-02	5/8"	1/2"-14h	10-08
1/4"	1/4"-18h	04-04	5/8"	3/4"-14h	10-12
1/4"	3/8"-18h	04-06	3/4"	3/4"-14h	12-12
5/16"	1/4"-18h	05-04	3/4"	1"-11,5h	12-16
5/16"	3/8"-18h	05-06	1"	1"-11,5h	16-16
3/8"	1/4"-18h	06-04	1"	1 1/4"-11,5h	16-20
3/8"	3/8"-18h	06-06	1 1/4"	1 1/4"-11,5h	20-20
3/8"	1/2"-14h	06-08	1 1/2"	1 1/2"-11,5h	24-24
1/2"	3/8"-18h	08-06	2"	2"-11,5h	32-32

Tuerca prensada Swaging nut ● Multiespiral Multispiral ● Tuerca desplazable Travelling nut ● Tuerca engargolada Wire nut ● Disponible en Inox. AISI-316 ●

ROSCA ORFS

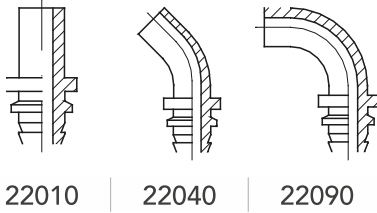
ORFS THREAD



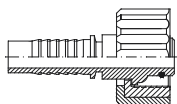
Ø Int. Mang. Ø Int. Hose	Rosca ORFS ORFS Thread	Galga Dash	Ø Int. Mang. Ø Int. Hose	Rosca ORFS ORFS Thread	Galga Dash	Ø Int. Mang. Ø Int. Hose	Rosca ORFS ORFS Thread	Galga Dash
1/4"	9/16"-18h	04-04	1/2"	1"-14h	08-10	3/4"	1 7/16"-12h	12-16
1/4"	11/16"-16h	04-06	1/2"	1 3/16"-12h	08-12	1"	1 7/16"-12h	16-16
5/16"	11/16"-16h	05-06	5/8"	1"-14h	10-10	1"	1 11/16"-12h	16-20
3/8"	11/16"-16h	06-06	5/8"	1 3/16"-12h	10-12	1 1/4"	1 11/16"-12h	20-20
3/8"	13/16"-16h	06-08	3/4"	1 3/16"-12h	12-12	1 1/2"	2"-12h	24-24
1/2"	13/16"-16h	08-08						

ESPIGAS LISAS Y RACORES PARA LIMPIEZA

SMOOTH STANDPIPE AND CLEANING FITTINGS



Ø Int. Mang. Ø Int. Hose	Ø Espiga Ø Standp. (mm)	Galga Dash	Ø Int. Mang. Ø Int. Hose	Ø Espiga Ø Standp. (mm)	Galga Dash	Ø Int. Mang. Ø Int. Hose	Ø Espiga Ø Standp. (mm)	Galga Dash
3/16"	6	03-06	3/8"	15	06-15	3/4"	25	12-25
3/16"	8	03-08	1/2"	14	08-14	1"	25	16-25
1/4"	6	04-06	1/2"	15	08-15	1"	28	16-28
1/4"	8	04-08	1/2"	16	08-16	1"	30	16-30
1/4"	10	04-10	1/2"	18	08-18	1"	38	16-38
5/16"	10	05-10	5/8"	18	10-18	1 1/4"	35	20-35
5/16"	12	05-12	5/8"	20	10-20	1 1/4"	38	20-38
3/8"	10	06-10	5/8"	22	10-22	1 1/2"	38	24-38
3/8"	12	06-12	3/4"	20	12-20	1 1/2"	42	24-42
3/8"	14	06-14	3/4"	22	12-22			



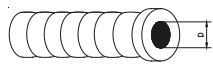
24913

Ø Int. Mang. Ø Int. Hose	Rosca Mét. Met. Thread	Ø Tubo Ø Tube	Galga Dash
1/4"	22x1,5	14	04-22
5/16"	22x1,5	14	05-22
3/8"	22x1,5	14	06-22
1/4"	22x1,5	15	04-22/15
5/16"	22x1,5	15	05-22/15
3/8"	22x1,5	15	06-22/15



24911

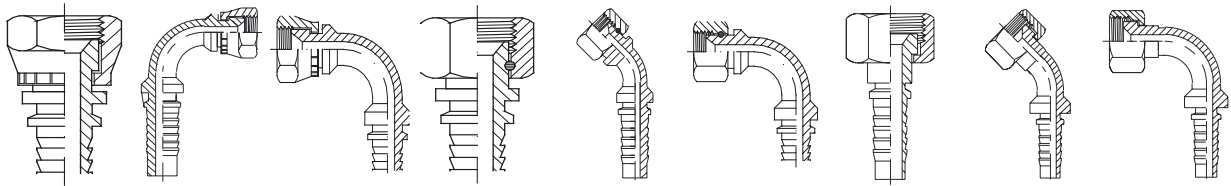
Ø Int. Mang. Ø Int. Hose	Ø Tubo Ø Tube	Galga Dash
1/4"	10	04-10
1/4"	11	04-11
5/16"	11	05-11



24999-N | 24999-B
Negra | Azul

DN DN	Pulgadas Inch	D D	Galga Dash
6	1/4"	16	04
8	5/16"	18	05
10	3/8"	21	06
12	1/2"	21	08

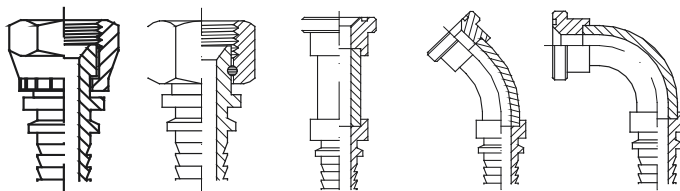
SERIE JAPONESA - TOYOTA - ASIENTO 60°
JAPANESE SERIES - TOYOTA - 60° SEAT



23811 ● | 23841 ● | 23891 ● | 23812 ● | 23842 ● | 23892 ● | 23813 ● | 23843 ● | 23893 ●

Ø Int. Mang. Ø Int. Hose	Rosca BSP BSP Thread	Galga Dash	Ø Int. Mang. Ø Int. Hose	Rosca BSP BSP Thread	Galga Dash	Ø Int. Mang. Ø Int. Hose	Rosca BSP BSP Thread	Galga Dash
1/4"	1/4"-19h	04-04	1/2"	1/2"-14h	08-08	3/4"	3/4"-14h	12-12
1/4"	3/8"-19h	04-06	1/2"	5/8"-14h	08-10	3/4"	1"-11h	12-16
5/16"	3/8"-19h	05-06	1/2"	3/4"-14h	08-12	1"	1"-11h	16-16
3/8"	3/8"-19h	06-06	5/8"	5/8"-14h	10-10	1 1/4"	1 1/4"-11h	20-20
3/8"	1/2"-14h	06-08	5/8"	3/4"-14h	10-12	1 1/2"	1 1/2"-11h	24-24

SERIE KOMATSU
KOMATSU SERIES



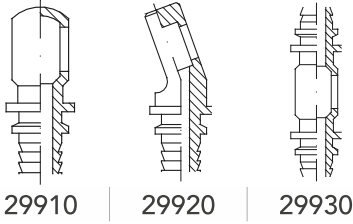
24011 ● | 24012 ● | 24111 ● | 24141 ● | 24191 ●

Ø Int. Mang. Ø Int. Hose	Rosca Mét. Met. Thread	Brida Flange	Galga Dash	Ø Int. Mang. Ø Int. Hose	Rosca Mét. Met. Thread	Brida Flange	Galga Dash
1/2"	-	1/2"	08-08	1/4"	14 x 1,5	-	04-14
1/2"	-	3/4"	08-12	1/4"	16 x 1,5	-	04-16
5/8"	-	5/8"	10-10	1/4"	18 x 1,5	-	04-18
3/4"	-	3/4"	12-12	3/8"	16 x 1,5	-	06-16
3/4"	-	1"	12-16	3/8"	18 x 1,5	-	06-18
1"	-	1"	16-16	1/2"	22 x 1,5	-	08-22
1"	-	1 1/4"	16-20	5/8"	24 x 1,5	-	10-24
1 1/4"	-	1 1/4"	20-20	3/4"	30 x 1,5	-	12-30
1 1/4"	-	1 1/2"	20-24	1"	33 x 1,5	-	16-33
				1 1/4"	36 x 1,5	-	20-36
				1 1/2"	42 x 1,5	-	24-42

Tuerca prensada Swaging nut ● Multiespiral Multispiral ● Tuerca desplazable Travelling nut ● Tuerca engargolada Wire nut ● Disponible en Inox. AISI-316 ●

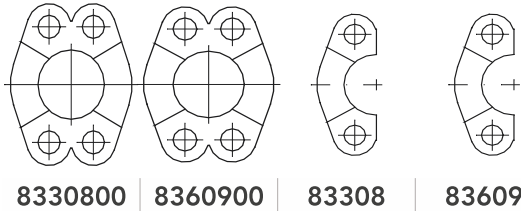
ORIENTABLES - BRIDAS Y SEMIBRIDAS

BANJOS - FLANGES AND HALF-FLANGES



29910 | 29920 | 29930

Ø Int. Mang. Ø Int. Hose	Ø Tornillo Ø Screw	Galga Dash	Ø Int. Mang. Ø Int. Hose	Ø Tornillo Ø Screw	Galga Dash
1/4"	10,0	04-10	3/8"	20,6	06-21
1/4"	12,0	04-12	1/2"	16,6	08-17
1/4"	13,1	04-13	1/2"	18,0	08-18
1/4"	14,0	04-14	1/2"	20,9	08-21
5/16"	14,0	05-14	1/2"	22,0	08-22
5/16"	16,6	05-17	5/8"	22,0	10-22
5/16"	18,0	05-18	5/8"	23,0	10-23
3/8"	13,1	06-13	3/4"	22,9	12-26
3/8"	14,0	06-14	3/4"	26,4	12-27
3/8"	16,6	06-17	1"	33,2	16-33
3/8"	18,0	06-18	3/8"	18,0	06-18

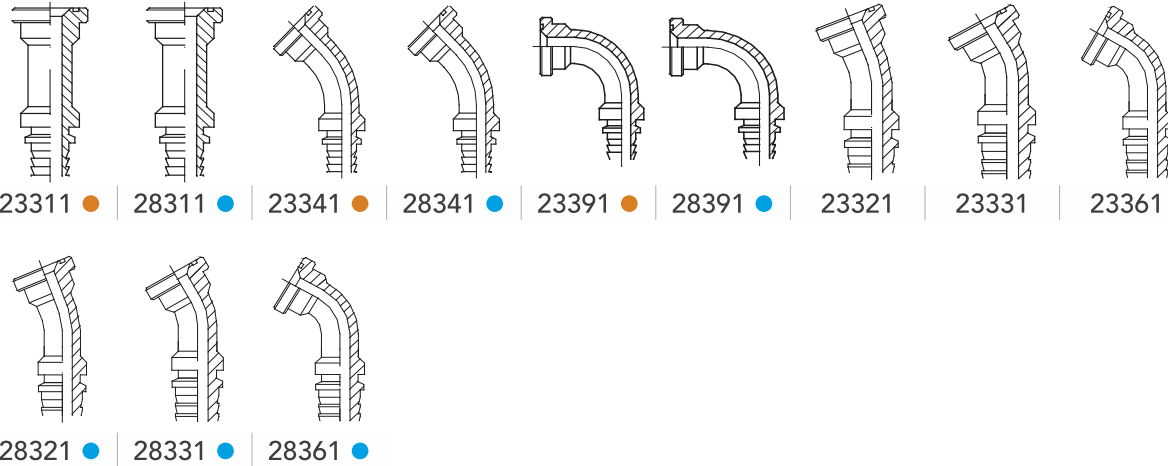


8330800 | 8360900 | 83308 | 83609

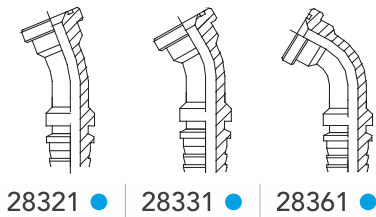
Galga Dash	Galga Dash
08	24
12	32
16	40
20	

BRIDAS 3000 PSI

3000 PSI FLANGES



23311 ● | 28311 ● | 23341 ● | 28341 ● | 23391 ● | 28391 ● | 23321 | 23331 | 23361

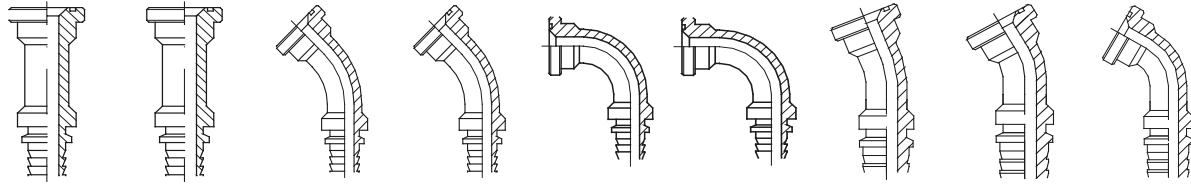


28321 ● | 28331 ● | 28361 ●

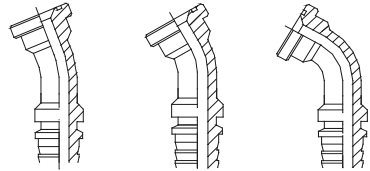
Ø Int. Mang. Ø Int. Hose	Brida Flange	Galga Dash	Ø Int. Mang. Ø Int. Hose	Brida Flange	Galga Dash	Ø Int. Mang. Ø Int. Hose	Brida Flange	Galga Dash
1/2"	1/2" ø 30,4	08-08	1"	1 1/4" ø 50,8	16-20	2"	2" ø 71,4	32-32
1/2"	3/4" ø 38,1	08-12	1 1/4"	1 1/4" ø 50,8	20-20	2"	2 1/2" ø 84,3	32-40
3/4"	3/4" ø 38,1	12-12	1 1/4"	1 1/2" ø 60,3	20-24	2 1/2"	2 1/2" ø 84,3	40-40
3/4"	1" ø 44,5	12-16	1 1/2"	1 1/2" ø 60,3	24-24	3"	3" ø 101,6	48-48
1"	1" ø 44,5	16-16	1 1/2"	2" ø 71,4	24-32			

Tuerca prensada Swaging nut ● Multiespiral Multispiral ● Tuerca desplazable Travelling nut ● Tuerca engargolada Wire nut ● Disponible en Inox. AISI-316 ●

BRIDAS 6000 PSI
6000 PSI FLANGES



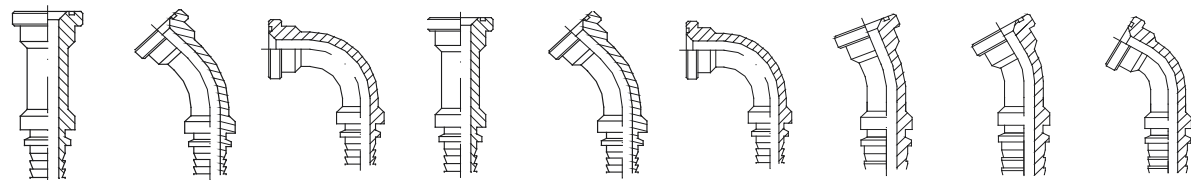
23611 ● | 28611 ● | 23641 ● | 28641 ● | 23691 ● | 28691 ● | 23621 | 23631 | 23661



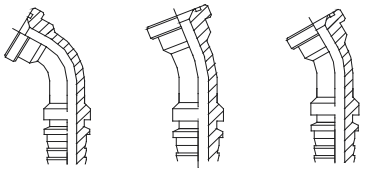
28621 ● | 28631 ● | 28661 ●

Ø Int. Mang. Ø Int. Hose	Brida Flange	Galga Dash	Ø Int. Mang. Ø Int. Hose	Brida Flange	Galga Dash	Ø Int. Mang. Ø Int. Hose	Brida Flange	Galga Dash
1/2"	1/2" ø 31,8	08-08	1"	1 1/4" ø 54	16-20	2"	2" ø 79,4	32-32
1/2"	3/4" ø 41,3	08-12	1 1/4"	1 1/4" ø 54	20-20	2"	2 1/2" -	32-40
3/4"	3/4" ø 41,3	12-12	1 1/4"	1 1/2" ø 63,5	20-24	2 1/2"	2 1/2" -	40-40
3/4"	1" ø 47,6	12-16	1 1/2"	1 1/2" ø 63,5	24-24	3"	3" -	48-48
1"	1" ø 47,6	16-16	1 1/2"	2" ø 79,4	24-32			

BRIDAS CATERPILLAR
CATERPILLAR FLANGES



23614 | 23644 | 23694 | 28614 ● | 28644 ● | 28694 ● | 23624 | 23634 | 23634



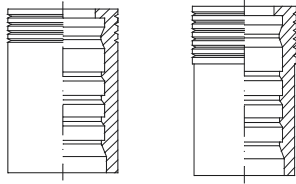
28624 ● | 28634 ● | 28664 ●

Ø Int. Mang. Int. Hose	Brida Flange	Galga Dash
3/4"	3/4"	41,3 12-12
3/4"	1"	47,6 12-16
1"	1"	47,6 16-16
1"	1 1/4"	54,0 16-20
1 1/4"	1 1/4"	54,0 20-20
1 1/4"	1 1/2"	63,5 20-24
1 1/2"	1 1/2"	63,5 24-24

Tuerca prensada Swaging nut ● Multiespiral Multispiral ● Tuerca desplazable Travelling nut ● Tuerca engargolada Wire nut ● Disponible en Inox. AISI-316 ●

INTERLOCK

INTERLOCK



SAE 100
4SH

01400* ●

SAE 100
R13

01300

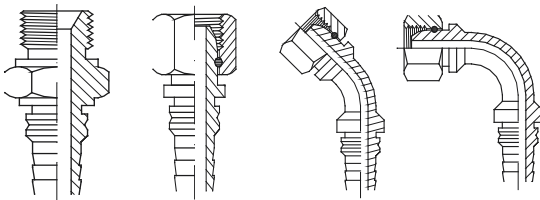
* 1" 4SH, R12 Y R13: 1300-16

Ø Interior Manguera
Int. Hose

Pulgadas inch	mm mm	Galga Dash
3/4"	19	12
1"	25,4	16
1 1/4"	32	20
1 1/2"	38	24
2"	50,8	32

INTERLOCK - ROSCA BSP Y BSPT

INTERLOCK - BSP AND BSPT THREAD



35510 ●

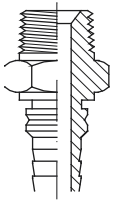
45512 ●●

45542 ●●

45592 ●●

Ø Int. Mang.
Int. Hose

Rosca BSP BSP Thread	Galga Dash
3/4"-14h	12-12
3/4"-11h	12-16
1"-11h	16-16
1"-11h	16-20
1 1/4"-11h	20-20
1 1/4"-11h	20-24
1 1/2"-11h	24-24
1 1/2"-11h	24-32
2"-11h	32-32



35710 ●

Rosca BSPT
BSPT Thread

Galga
Dash

3/4"-14h 12-12

1"-11h 12-16

1"-11h 16-16

Rosca BSPT
BSPT Thread

Galga
Dash

1 1/4"-11h 16-20

1 1/4"-11h 20-20

1 1/2"-11h 20-24

Rosca BSPT
BSPT Thread

Galga
Dash

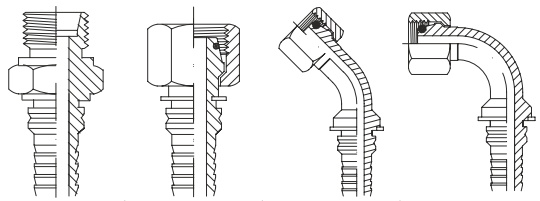
1 1/2"-11h 24-24

2"-11h 24-32

2"-11h 32-32

INTERLOCK - ROSCA MÉTRICA - SERIE PESADA - ASIENTO 24°

INTERLOCK - METRIC THREAD - HEAVY SERIES - 24° SEAT



36210 ●

46613 ●●

46643 ●●

46693 ●●

Ø Int.
Mang.
Int. Hose

Rosca
Mét.
Met. Thread

Tubo
Ø Tube

Galga
Dash

3/4"	30 x 2	20	12-30
3/4"	36 x 2	25	12-36
1"	42 x 2	30	16-42
1 1/4"	52 x 2	38	20-52

Tuerca prensada
Swaging nut ●

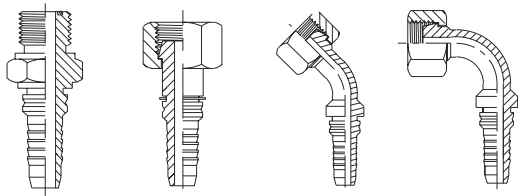
Multiespiral
Multispiral ●

Tuerca desplazable
Travelling nut ●

Tuerca engargolada
Wire nut ●

Disponible en
Inox. AISI-316 ●

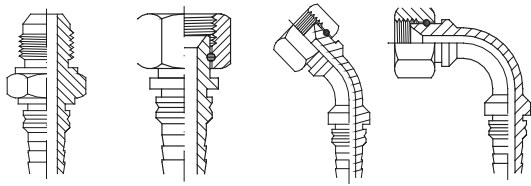
INTERLOCK - ORFS
INTERLOCK - ORFS



32413 | 47413 ● | 47443 ● | 47493 ●

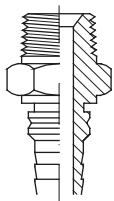
Ø Int. Mang. Int. Hose	Rosca ORFS ORFS Thread	Galga Dash
3/4"	1 3/16"-12h	12-12
1"	1 7/16"-12h	16-16
1 1/4"	1 11/16"-12h	20-20
1 1/2"	2"-12h	24-24

INTERLOCK - ROSCA JIC y NPT
INTERLOCK - JIC AND NPT THREAD



37510 ● | 47512 ●● | 47542 ●● | 47592 ●●

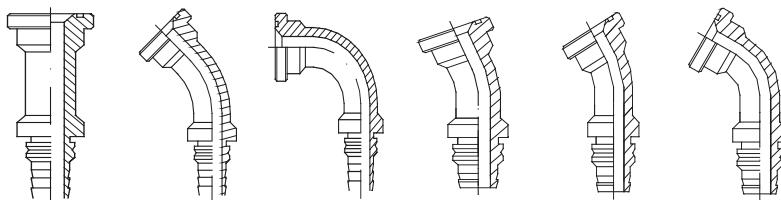
Ø Int. Mang. Int. Hose	Rosca JIC JIC Thread	Galga Dash	Ø Int. Mang. Int. Hose	Rosca JIC JIC Thread	Galga Dash	Ø Int. Mang. Int. Hose	Rosca JIC JIC Thread	Galga Dash
3/4"	1 1/16"-12h	12-12	1"	1 5/8"-12h	16-20	1 1/2"	1 7/8"-12h	24-24
3/4"	1 5/16"-12h	12-16	1 1/4"	1 5/8"-12h	20-20	1 1/2"	2 1/2"-12h	24-32
1"	1 5/16"-12h	16-16	1 1/4"	1 7/8"-12h	20-24	2"	2 1/2"-12h	32-32



37810 ●

Rosca NPT NPT Thread	Galga Dash	Rosca NPT NPT Thread	Galga Dash	Rosca NPT NPT Thread	Galga Dash	Rosca NPT NPT Thread	Galga Dash
3/4"-14h	12-12	1 1/4"-11h	16-20	1 1/2"-11h	20-24	2"-11h	24-32
1"-11h	12-16	1 1/4"-11h	20-20	1 1/2"-11h	24-24	2"-11h	32-32
1"-11h	16-16						

INTERLOCK - BRIDAS 3000 PSI (SAE J 518)
INTERLOCK - 3000 PSI FLANGES (SAE J 518)



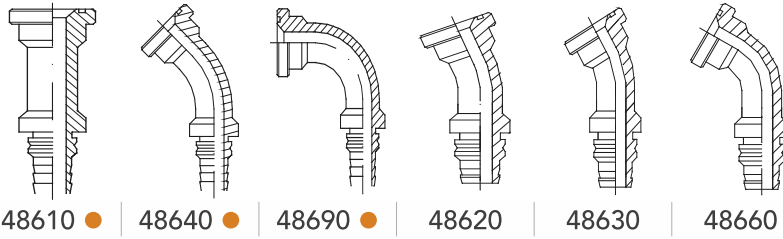
48310 ● | 48340 ● | 48390 ● | 48320 | 48330 | 48360

Ø Int. Tubo Int. Tube	Brida / Flange pulg / inch	Ø	Galga Dash	Ø Int. Tubo Int. Tube	Brida / Flange pulg / inch	Ø	Galga Dash
3/4"	3/4"	38,1	12-12	3/4"	3/4"	38,1	12-12
3/4"	1"	44,5	12-16	1 1/4"	1 1/2"	60,3	20-24
1"	1"	44,5	16-16	1 1/2"	1 1/2"	60,3	24-24
1"	1 1/4"	50,8	16-20	2"	2"	71,4	32-32

Tuerca prensada Swaging nut ● Multiespiral Multispiral ● Tuerca desplazable Travelling nut ● Tuerca engargolada Wire nut ● Disponible en Inox. AISI-316 ●

INTERLOCK - BRIDAS 6000 PSI (SAE J 518)

INTERLOCK - 6000 PSI FLANGES (SAE J 518)

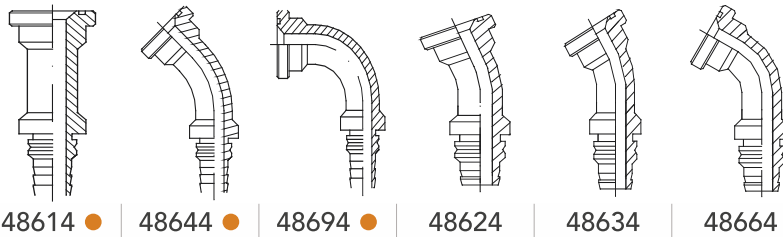


Ø Int. Tubo Int. Tube	Brida Flange	Galga Dash
3/4"	3/4"	Ø 41,3
3/4"	1"	Ø 47,6
1"	1"	Ø 47,6
1"	1 1/4"	Ø 54,0

Ø Int. Tubo Int. Tube	Brida Flange	Galga Dash
1 1/4"	1 1/4"	Ø 54,0
1 1/4"	1 1/2"	Ø 63,5
1 1/2"	1 1/2"	Ø 63,5
1 1/2"	2"	Ø 79,4

INTERLOCK - BRIDAS CATERPILLAR

INTERLOCK - CATERPILLAR FLANGES

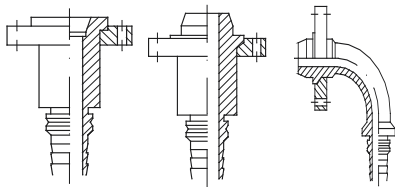


Ø Int. Tubo Int. Tube	Brida Flange	Galga Dash
3/4"	3/4"	Ø 41,3
3/4"	1"	Ø 47,6
1"	1"	Ø 47,6
1"	1 1/4"	Ø 54,0

Ø Int. Tubo Int. Tube	Brida Flange	Galga Dash
1 1/4"	1 1/4"	Ø 54,0
1 1/4"	1 1/2"	Ø 63,5
1 1/2"	1 1/2"	Ø 63,5

INTERLOCK - BRIDAS POCLAIN

INTERLOCK - POCLAIN FLANGES




Ø Int. Tubo Int. Tube	Brida Flange	Galga Dash
3/4"	3/4"	Ø 41,3
3/4"	1"	Ø 47,6
1"	1"	Ø 47,6
1"	1 1/4"	Ø 54,0

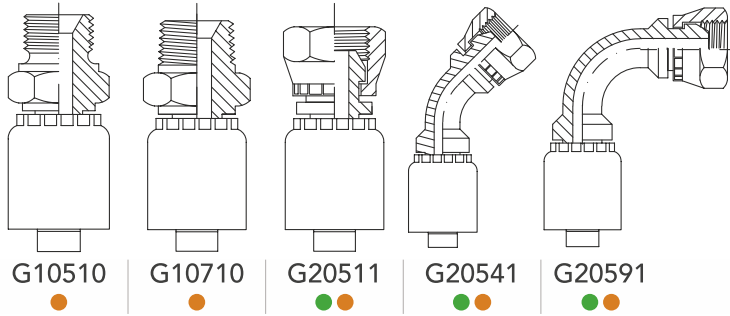
Ø Int. Tubo Int. Tube	Brida Flange	Galga Dash
1 1/4"	1 1/4"	Ø 54,0
1 1/4"	1 1/2"	Ø 63,5
1 1/2"	1 1/2"	Ø 63,5
1 1/2"	2"	Ø 79,4

● Tuerca prensada / Swaging nut
 ● Multiespiral / Multispiral
 ● Tuerca desplazable / Travelling nut
 ● Tuerca engargolada / Wire nut
 ● Disponible en Inox. AISI-316

GLOBAL NO-PELAR | ROSCA BSP
GLOBAL NO SKIVE - BSP THREAD

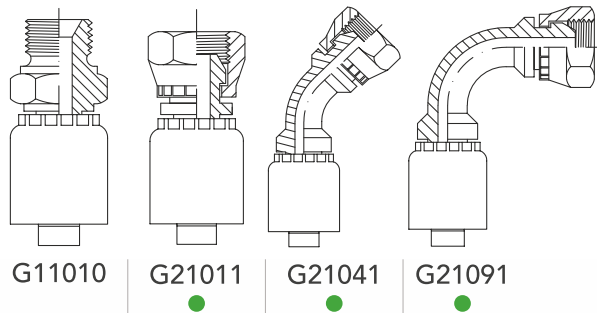
Mangueras: 

R1AT y R2AT



Ø Int. Tubo Ø Int. Tube	Rosca BSP BSP Thread	Galga Dash	Ø Int. Tubo Ø Int. Tube	Rosca BSP BSP Thread	Galga Dash	Ø Int. Tubo Ø Int. Tube	Rosca BSP BSP Thread	Galga Dash
1/4"	1/4"-19h	04-04	3/8"	3/8"-19h	06-06	1/2"	3/4"-14h	08-12
1/4"	3/8"-19h	04-06	3/8"	1/2"-14h	06-08	5/8"	5/8"-14h	10-10
5/16"	1/4"-19h	05-04	1/2"	3/8"-19h	08-06	5/8"	3/4"-14h	10-12
5/16"	3/8"-19h	05-06	1/2"	1/2"-14h	08-08	3/4"	3/4"-14h	12-12
3/8"	1/4"-19h	06-04	1/2"	5/8"-14h	08-10	3/4"	1"-11h	12-16
						1"	1"-11h	16-16


GLOBAL NO-PELAR | ROSCA MÉTRICA - ASIENTO 60°
GLOBAL NO SKIVE - METRIC THREAD - 60° SEAT



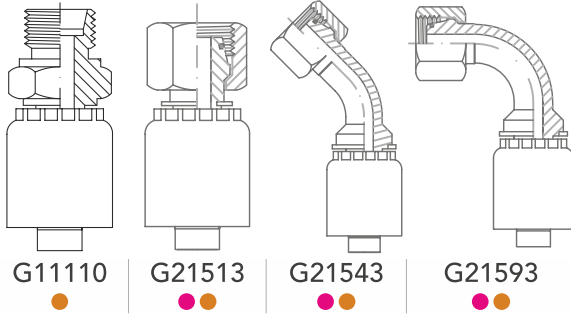
Ø Int. Tubo Ø Int. Tube	Rosca Mét. Met. Thread	Galga Dash	Ø Int. Tubo Ø Int. Tube	Rosca Mét. Met. Thread	Galga Dash	Ø Int. Tubo Ø Int. Tube	Rosca Mét. Met. Thread	Galga Dash
1/4"	12 x 1,5	04-12	3/8"	16 x 1,5	06-16	1/2"	22 x 1,5	08-22
1/4"	14 x 1,5	04-14	3/8"	18 x 1,5	06-18	5/8"	26 x 1,5	10-26
1/4"	16 x 1,5	04-16	3/8"	20 x 1,5	06-20	5/8"	30 x 1,5	10-30
5/16"	16 x 1,5	05-16	3/8"	22 x 1,5	06-22	3/4"	26 x 1,5	12-26
5/16"	18 x 1,5	05-18	1/2"	18 x 1,5	06-18	3/4"	30 x 1,5	12-30
3/8"	14 x 1,5	06-14	1/2"	20 x 1,5	08-20	1"	38 x 1,5	16-38

GLOBAL NO-PELAR | ROSCA MÉTRICA - SERIE LIGERA - ASIENTO 24°

GLOBAL NO SKIVE - METRIC THREAD - LIGHT SERIES - 24° SEAT

Mangueras: 

R1AT y R2AT

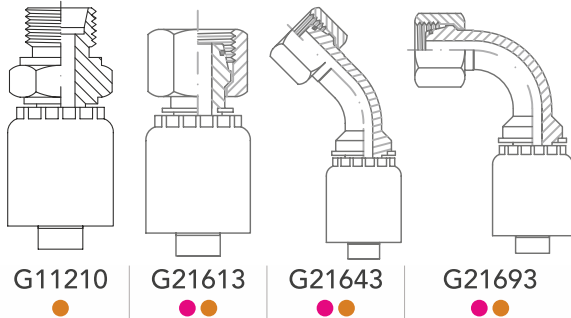


Ø Int. Mang. Ø Int. Hose	Rosca Mét. Met. Thread	Ø Tubo (mm) Ø Tube (mm)	Galga Dash
1/4"	12x1,5	6	04-12
1/4"	14x1,5	8	04-14
1/4"	16x1,5	10	04-16
1/4"	18x1,5	12	04-18
5/16"	14x1,5	8	05-14
5/16"	16x1,5	10	05-16
5/16"	18x1,5	12	05-18
3/8"	16x1,5	10	06-16
3/8"	18x1,5	12	06-18
3/8"	22x1,5	15	06-22

Ø Int. Mang. Ø Int. Hose	Rosca Mét. Met. Thread	Ø Tubo (mm) Ø Tube (mm)	Galga Dash
3/8"	22x1,5	15	06-22
1/2"	18x1,5	12	08-18
1/2"	22x1,5	15	08-22
1/2"	26x1,5	18	08-26
5/8"	26x1,5	18	10-26
5/8"	30x2	22	10-30
3/4"	26x1,5	18	12-26
3/4"	30x2	22	12-30
1"	36x2	28	16-36

GLOBAL NO-PELAR | ROSCA MÉTRICA - SERIE PESADA - ASIENTO 24°

GLOBAL NO SKIVE - METRIC THREAD - HEAVY SERIES - 24° SEAT



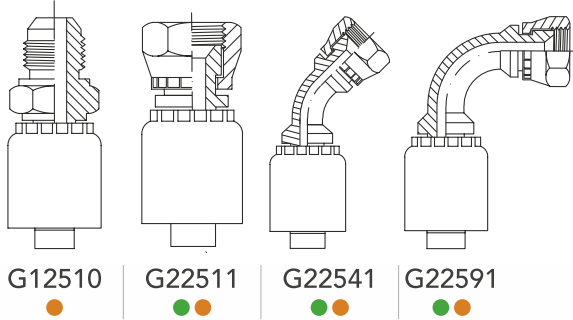
Ø Int. Mang. Ø Int. Hose	Rosca Mét. Met. Thread	Ø Tubo (mm) Ø Tube (mm)	Galga Dash
1/4"	14x1,5	6	04-14
1/4"	16x1,5	8	04-16
1/4"	18x1,5	10	04-18
5/16"	16x1,5	8	05-16
5/16"	18x1,5	10	05-18
5/16"	20x1,5	12	05-20
3/8"	18x1,5	10	06-18
3/8"	20x1,5	12	06-20
3/8"	22x1,5	14	06-22

Ø Int. Mang. Ø Int. Hose	Rosca Mét. Met. Thread	Ø Tubo (mm) Ø Tube (mm)	Galga Dash
1/2"	22x1,5	14	08-22
1/2"	24x1,5	16	08-24
5/8"	30x2	20	10-30
3/4"	30x2	20	12-30
3/4"	33x1,5	25	12-33
3/4"	36x2	25	12-36
1"	36x2	25	16-36
1"	42x2	30	16-42
1"	52x2	38	16-52

● Tuerca prensada Swaging nut
 ● Multiespiral Multispiral
 ● Tuerca desplazable Travelling nut
 ● Tuerca engargolada Wire nut
 ● Disponible en Inox. AISI-316

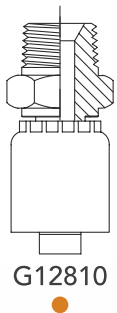
GLOBAL NO-PELAR | ROSCA JIC
GLOBAL NO SKIVE - JIC THREAD

Mangueras: **R1AT y R2AT**



Ø Int. Mang. Ø Int. Hose	Rosca JIC JIC Thread	Galga Dash	Ø Int. Mang. Ø Int. Hose	Rosca JIC JIC Thread	Galga Dash	Ø Int. Mang. Ø Int. Hose	Rosca JIC JIC Thread	Galga Dash
1/4"	7/16"-20h	04-04	3/8"	5/8"-18h	06-07	5/8"	7/8"-14h	10-10
1/4"	1/2"-20h	04-05	3/8"	3/4"-16h	06-08	5/8"	1 1/16"-12h	10-12
1/4"	9/16"-18h	04-06	3/8"	7/8"-14h	06-10	3/4"	1 1/16"-12h	12-12
5/16"	1/2"-20h	05-05	1/2"	3/4"-16h	08-08	3/4"	1 3/16"-12h	12-14
5/16"	9/16"-18h	05-06	1/2"	7/8"-14h	08-10	3/4"	1 5/16"-12h	12-16
3/8"	9/16"-18h	06-06	1/2"	1 1/16"-12h	08-12	1"	1 5/16"-12h	16-16

GLOBAL NO-PELAR | ROSCA NPT
GLOBAL NO SKIVE - NPT THREAD




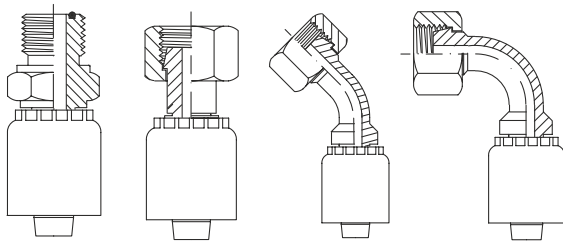
G12810

Ø Int. Mang. Ø Int. Hose	Rosca NPT NPT Thread	Galga Dash	Ø Int. Mang. Ø Int. Hose	Rosca NPT NPT Thread	Galga Dash
1/4"	1/4"-18h	04-04	1/2"	1/2"-14h	08-08
1/4"	3/8"-18h	04-06	1/2"	3/4"-14h	08-12
5/16"	1/4"-18h	05-04	5/8"	1/2"-14h	10-08
5/16"	3/8"-18h	05-06	5/8"	3/4"-14h	10-12
3/8"	1/4"-18h	06-04	3/4"	3/4"-14h	12-12
3/8"	3/8"-18h	06-06	3/4"	1"-11,5h	12-16
3/8"	1/2"-14h	06-08	1"	1"-11,5h	16-16
1/2"	3/8"-18h	08-06			

GLOBAL NO-PELAR | ROSCA ORFS

GLOBAL NO SKIVE - ORFS THREAD

Mangueras: 
R1AT y R2AT

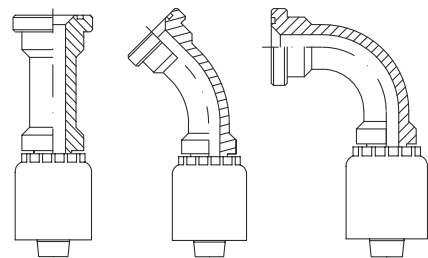


G12413 | G22413 | G22443 | G22493

Ø Int. Mang. Ø Int. Hose	Rosca ORFS ORFS Thread	Galga Dash	Ø Int. Mang. Ø Int. Hose	Rosca ORFS ORFS Thread	Galga Dash	Ø Int. Mang. Ø Int. Hose	Rosca ORFS ORFS Thread	Galga Dash
1/4"	9/16"-18h	04-04	1/2"	13/16"-16h	08-08	5/8"	1 3/16"-12h	10-12
1/4"	11/16"-16h	04-06	1/2"	1"-14h	08-10	3/4"	1 3/16"-12h	12-12
5/16"	11/16"-16h	05-06	1/2"	1 3/16"-12h	08-12	3/4"	1 7/16"-12h	12-16
3/8"	11/16"-16h	06-06	5/8"	1"-14h	10-10	1"	1 7/16"-12h	16-16
3/8"	13/16"-16h	06-08						

GLOBAL NO-PELAR | BRIDAS 3000 PSI

GLOBAL NO SKIVE - 3000 PSI FLANGES

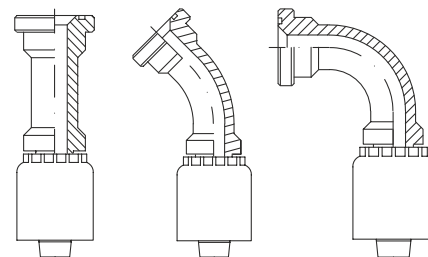


G23311 | G23341 | G23391

Ø Int. Mang. Ø Int. Hose	Brida Flange	Galga Dash
1/2"	1/2" ø 30,4	08-08
1/2"	3/4" ø 38,1	08-12
3/4"	3/4" ø 38,1	12-12
3/4"	1" ø 44,5	12-16
1"	1" ø 44,5	16-16

GLOBAL NO-PELAR | BRIDAS 6000 PSI

GLOBAL NO SKIVE - 6000 PSI FLANGES

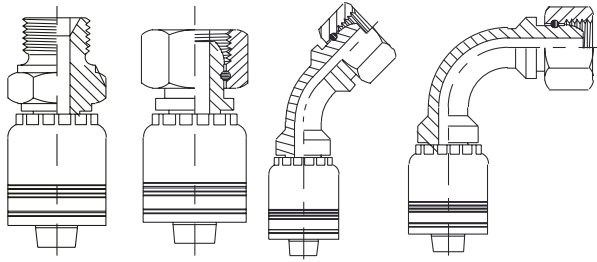


G23611 | G23641 | G23691

Ø Int. Mang. Ø Int. Hose	Brida Flange	Galga Dash
1/2"	1/2" ø 31,8	08-08
1/2"	3/4" ø 41,3	08-12
3/4"	3/4" ø 41,3	12-12
3/4"	1" ø 47,6	12-16
1"	1" ø 47,6	16-16

Tuerca prensada Swaging nut 
Multiespiral Multispiral 
Tuerca desplazable Travelling nut 
Tuerca engargolada Wire nut 
Disponibile en Inox. AISI-316 

GLOBAL NO-PELAR | INTERLOCK - ROSCA BSP Y BSPT
GLOBAL NO SKIVE - INTERLOCK - BSP AND BSPT THREADS



G35510 | G45512 ● | G45542 ● | G45592 ●

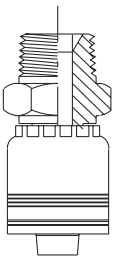
Mangueras: !

■ EN 856 4SH

■ SAE 100 R13

■ SAE 100 R15

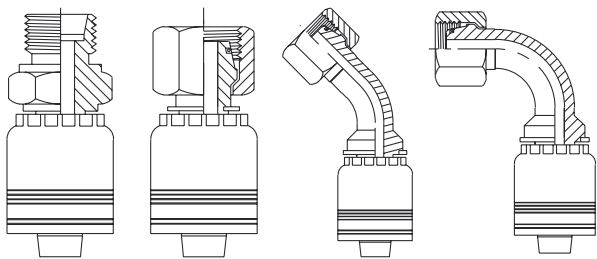
Ø Int. Mang. Int. Hose	Rosca BSP BSP Thread	Galga Dash	Ø Int. Mang. Int. Hose	Rosca BSP BSP Thread	Galga Dash	Galga Dash
3/4"	3/4"-14h	12-12NPG ■■	1 1/4"	1 1/4"-11h	20-20NPG ■	20-20NPR ■■
3/4"	11-11h	12-16NPG ■■	1 1/4"	3/4"-14h	20-24NPG ■	20-24NPR ■■
1"	1"-11h	16-16NPG ■■■	1 1/2"	11-11h	24-24NPG ■	24-24NPR ■■
1"	1 1/4"-11h	16-20NPG ■■	1 1/2"	1"-11h	24-32NPG ■	24-32NPR ■■
			2"	1 1/4"-11h	32-32NPG ■	32-32NPR ■



G35710

Rosca BSPT BSPT Thread	Galga Dash	Rosca BSPT BSPT Thread	Galga Dash
3/4"-14h	12-12NPG ■■	1 1/4"-11h	16-20NPG ■ 16-20NPR ■■
1"-11h	12-16NPG ■■	1 1/4"-11h	20-20NPG ■ 20-20NPR ■■
1"-11h	16-16NPG ■■■	1 1/2"-11h	20-24NPG ■ 20-24NPR ■■
		1 1/2"-11h	24-24NPG ■ 24-24NPR ■■
		2"-11h	24-32NPG ■ 24-32NPR ■■
		2"-11h	32-32NPG ■ 32-32NPR ■

GLOBAL NO-PELAR | INTERLOCK - ROSCA MÉTRICA - SERIE PESADA - ASIENTO 24°
GLOBAL NO SKIVE - INTERLOCK - METRIC THREAD - HEAVY SERIES - 24° SEAT

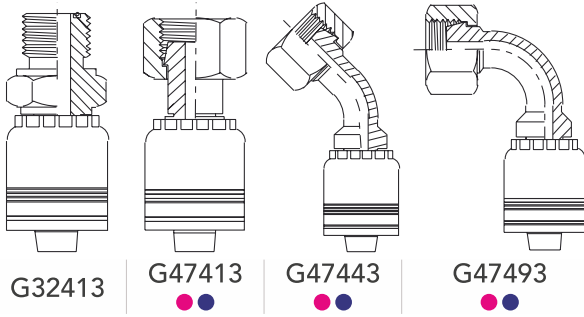


G36210 | G46613 ●● | G46643 ●● | G46693 ●●

Ø Int. Mang. Int. Hose	Rosca Mét. Met. Thread	Ø Tubo Ø Tube	Galga Dash	Ø Int. Mang. Int. Hose	Rosca Mét. Met. Thread	Ø Tubo Ø Tube	Galga Dash
3/4"	30x2	20	12-30NPG ■■	1 1/4"	52x2	38	20-52NPG ■ 20-52NPR ■■
3/4"	36x2	25	12-36NPG ■■	1 1/2"	60x2	45	24-60NPG ■ 24-60NPR ■■
1"	42x2	30	16-42NPG ■■■	2"	68x2	50	32-68NPG ■ 32-68NPR ■

GLOBAL NO-PELAR | INTERLOCK - ORFS

GLOBAL NO SKIVE - INTERLOCK - ORFS



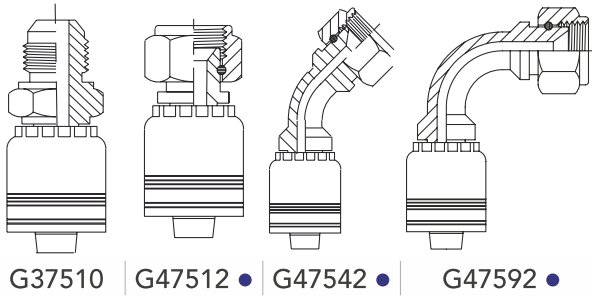
Mangueras: !

- EN 856 4SH
- SAE 100 R13
- SAE 100 R15

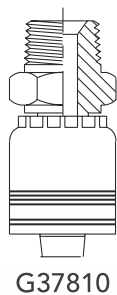
Ø Int. Mang. Int. Hose	Rosca ORFS ORFS Thread	Galga Dash	Ø Int. Mang. Int. Hose	Rosca ORFS ORFS Thread	Galga Dash
3/4"	1 3/16"-12h	12-12NPG ■■	1 1/4"	1 11/16"-12h	20-20NPG ■ 20-20NPR ■■
1"	1 7/16"-12h	16-16NPG ■■	1 1/2"	2"-12h	24-24NPG ■ 24-24NPR ■■

GLOBAL NO-PELAR | INTERLOCK - ROSCA JIC Y NPT

GLOBAL NO SKIVE - INTERLOCK - ROSCA JIC Y NPT



Ø Int. Mang. Int. Hose	Rosca JIC JIC Thread	Galga Dash	Ø Int. Mang. Int. Hose	Rosca JIC JIC Thread	Galga Dash
3/4"	1 1/16"-12h	12-12NPG ■■	1 1/4"	1 5/8"-12h	20-20NPG ■ 20-20NPR ■■
3/4"	1 5/16"-12h	12-16NPG ■■	1 1/4"	1 7/8"-12h	20-24NPG ■ 20-24NPR ■■
1"	1 5/16"-12h	16-16NPG ■■	1 1/2"	1 7/8"-12h	24-24NPG ■ 24-24NPR ■■
1"	1 5/8"-12h	16-20NPG ■■	1 1/2"	2 1/2"-12h	24-32NPG ■ 24-32NPR ■■
			2"	2 1/2"-12h	32-32NPG ■ 32-32NPR ■■




Rosca NPT NPT Thread	Galga Dash	Rosca NPT NPT Thread	Galga Dash
3/4"-14h	12-12NPG ■■	1 1/4"-11h	16-20NPG ■ 16-20NPR ■■
1"-11h	12-16NPG ■■	1 1/4"-11h	20-20NPG ■ 20-20NPR ■■
1"-11h	16-16NPG ■■	1 1/2"-11h	20-24NPG ■ 20-24NPR ■■
		1 1/2"-11h	24-24NPG ■ 24-24NPR ■■
		2"-11h	24-32NPG ■ 24-32NPR ■■
		2"-11h	32-32NPG ■ 32-32NPR ■■

Tuerca prensada Swaging nut ■ Multiespiral Multispiral ■ Tuerca desplazable Travelling nut ■ Tuerca engargolada Wire nut ■ Disponible en Inox. AISI-316 ■

GLOBAL NO-PELAR | INTERLOCK - BRIDAS 3000 PSI (SAE J 518)

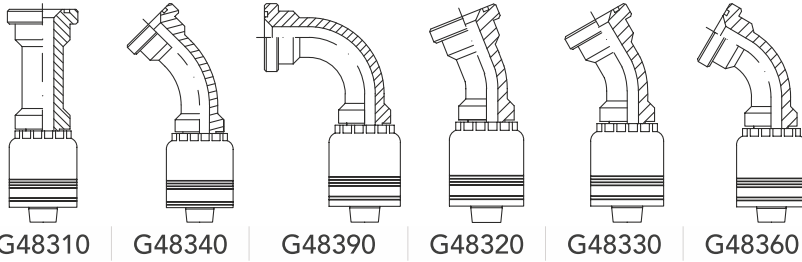
GLOBAL NO SKIVE - INTERLOCK - 3000 PSI FLANGES (SAE J 518)

Mangueras: 

■ EN 856 4SH

■ SAE 100 R13

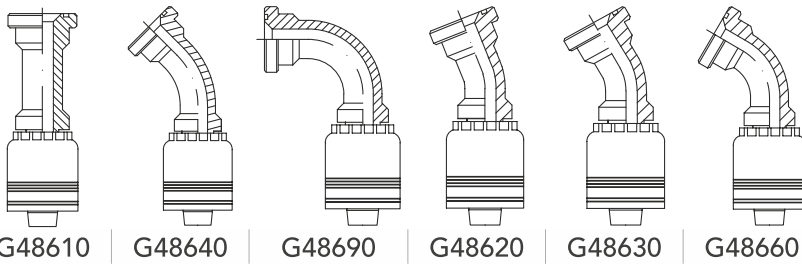
■ SAE 100 R15



Ø Int. Tubo Int. Tube	Brida Flange	Galga Dash	Galga Dash	Ø Int. Tubo Int. Tube	Brida Flange	Galga Dash	Galga Dash
3/4"	3/4"	Ø 38,1	12-12NPG ■■	1 1/4"	1 1/4"	Ø 50,8	20-20NPG ■ 20-20NPR ■■
3/4"	1"	Ø 44,5	12-16NPG ■■	1 1/4"	1 1/2"	Ø 60,3	20-24NPG ■ 20-24NPR ■■
1"	1"	Ø 44,5	16-16NPG ■■	1 1/2"	1 1/2"	Ø 60,3	24-24NPG ■ 24-24NPR ■■
1"	1 1/4"	Ø 50,8	16-20NPG ■■	1 1/2"	2"	Ø 71,4	32-32NPG ■ 32-32NPR ■

GLOBAL NO-PELAR | INTERLOCK - BRIDAS 6000 PSI (SAE J 518)

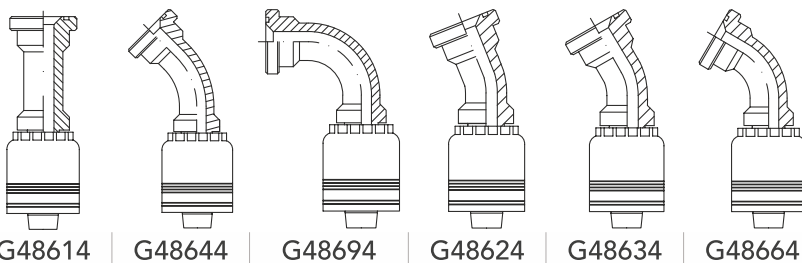
GLOBAL NO SKIVE - INTERLOCK - 6000 PSI FLANGES (SAE J 518)



Ø Int. Tubo Int. Tube	Brida Flange	Galga Dash	Galga Dash	Ø Int. Tubo Int. Tube	Brida Flange	Galga Dash	Galga Dash
3/4"	3/4"	Ø 41,3	12-12NPG ■■	1 1/4"	1 1/4"	Ø 54	20-20NPG ■ 20-20NPR ■■
3/4"	1"	Ø 47,6	12-16NPG ■■	1 1/4"	1 1/2"	Ø 63,5	20-24NPG ■ 20-24NPR ■■
1"	1"	Ø 47,6	16-16NPG ■■	1 1/2"	1 1/2"	Ø 63,5	24-24NPG ■ 24-24NPR ■■
1"	1 1/4"	Ø 54	16-20NPG ■■	1 1/2"	2"	Ø 79,4	32-32NPG ■ 32-32NPR ■

GLOBAL NO-PELAR | INTERLOCK - BRIDAS CARTERPILLAR

GLOBAL NO SKIVE - INTERLOCK - CATERPILLAR FLANGES




Ø Int. Tubo Int. Tube	Brida Flange	Galga Dash	Galga Dash	Ø Int. Tubo Int. Tube	Brida Flange	Galga Dash	Galga Dash
3/4"	3/4"	Ø 41,3	12-12NPG ■■	1 1/4"	1 1/4"	Ø 54	20-20NPG ■ 20-20NPR ■■
3/4"	1"	Ø 47,6	12-16NPG ■■	1 1/4"	1 1/2"	Ø 63,5	20-24NPG ■ 20-24NPR ■■
1"	1"	Ø 47,6	16-16NPG ■■	1 1/2"	1 1/2"	Ø 63,5	24-24NPG ■ 24-24NPR ■■
1"	1 1/4"	Ø 54	16-20NPG ■■				

Tuerca prensada Swaging nut ■ Multiespiral Multispiral ● Tuerca desplazable Travelling nut ● Tuerca engargolada Wire nut ● Disponible en Inox. AISI-316 ●

ESPIRAL DE PLÁSTICO RES. ABRASIÓN

Ref: RT	Ø Int.
	13
	16
	20
	25
	30
	40
	50
	80



FUNDA TEXTIL

Ref: TEXTS	Ø Int.
	17
	20
	23
	27
	33
	40
	53
	60
	73



FUNDA ACERO INOXIDABLE AISI-304

Ref: 8500	Ø Int.
	15
	18
	22
	28
	33
	44
	51
	66



ESPIRAL DE VÍDRIO Y SILICONA

Ref: AS1072	Ø Int.
Longitudes: 15 y 30 metros	
	8
	10
	16
	19
	25
	32
	38
	44
	51
	70
	76
	89
	95



FUNDA DE CERÁMICA

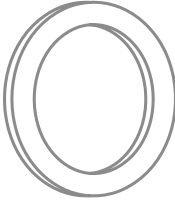
Ref: FCER	Ø Int.
	12
	20
	25
	30
	40
	50
	75
	85



ARANDELAS y JUNTAS

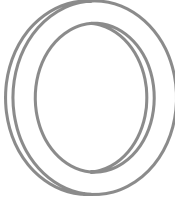
Arandela cobre
Ref: 531-CU

Galga	Ø Int x Ø Ext
04-08	8x12
06-10	10x14
08-12	12x16
10-14	14x18
12-16	16x22
14-18	18x24
16-22	22x27
18-24	24x30
20-26	26x35
28-30	30x38
30-32	32x40
42-46	42x51



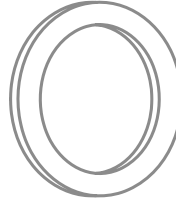
Arandela aluminio
Ref: 531-D

Galga	Ø Int x Ø Ext
04-08	8x12
06-10	10x14
08-12	12x16
10-14	14x18
12-16	16x22
14-18	18x24
16-22	22x27
20-26	26x35
28-30	30x38



Arandela cobre
Ref: 617-CU

Galga	Rosca BSP
14-17	1/4"
17-21	3/8"
21-27	1/2"
27-32	3/4"
34,41	1"
42-50	1 1/4"
48,52	1 1/2"
60-66	2"



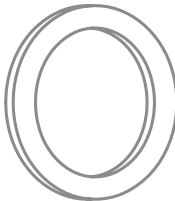
Junta tórica
Ref: 740

Galga	Para brida
08-08	1/2"
12-12	3/4"
16-16	1"
20-20	1 1/4"
24-24	1 1/2"
32-32	2"



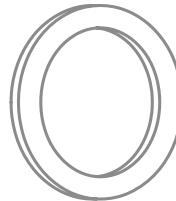
Junta cuadrada
Ref: 740-CUA

Galga
12-12
16-16
20-20
24-24
32-32



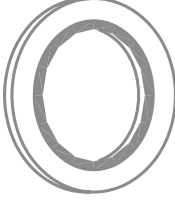
Junta Caterpillar
Ref: 770

Galga
12-12
16-16
20-20
24-24
32-32



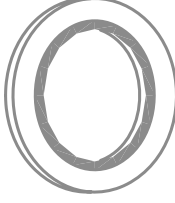
Metal goma
Ref: 697

Galga	Rosca BSP
02-02	1/8
04-04	1/4
06-06	3/8
08-08	1/2
10-10	5/8
12-12	3/4
16-16	1
20-20	1 1/4
24-24	1 1/2
32-32	2



Metal goma
Ref: 597

Galga	Rosca Métr.
06-06	M6
08-08	M8
10-10	M10
12-12	M12
14-14	M14
16-16	M16
18-18	M18
20-20	M20
22-22	M22
24-24	M24
26-26	M26
30-30	M30



RETENCIÓN BRIDAS SAE 3000 Y 6000
RETENTION FOR 3000 AND 6000 SAE FLANGES



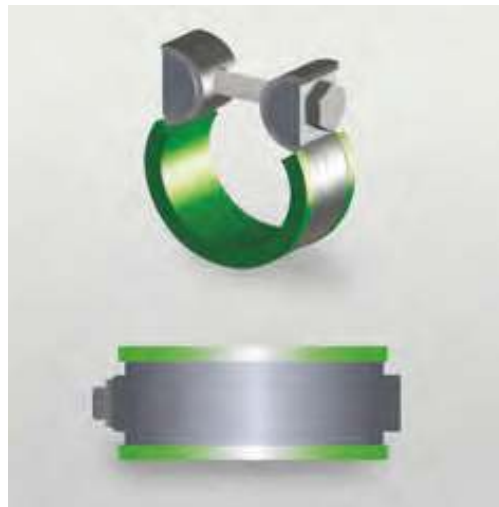
Referencia	Rosca	Medidas		Presión	
		Ø (mm)	Long. (mm)	(bar)	(psi)
SEG.SAE08	1/2"	8,5	300	415	6018
SEG.SAE10	3/4" 1" 1 1/2" S3000 3/4" S6000	10,5	450	420	6090
SEG.SAE12	1 1/2" 2" S3000 1" S6000	12,5	450	420	6090
SEG.SAE14	1 1/4" S6000	14,5	450	420	6090
SEG.SAE16	1 1/2" S6000	16,5	450	420	6090
SEG.SAE20	2" S6000	20,5	450	350	5075

RETENCIÓN PARA DIN, BSP, JIC y MÉT.
RETENTION FOR 3DIN 2353



Referencia	Medidas		Presión	
	Ø (mm)	Long. (mm)	(bar)	(psi)
SEG.DIN14	14,5	300	450	6525
SEG.DIN17	17,0	450	445	6453
SEG.DIN18	18,5	450	420	6090
SEG.DIN20	20,5	450	420	6090
SEG.DIN22	22,5	450	420	6090
SEG.DIN24	24,5	450	420	6090
SEG.DIN26	26,5	300	420	6090
SEG.DIN30	30,5	450	420	6090
SEG.DIN34	34,0	450	420	6090
SEG.DIN36	36,5	450	420	6090
SEG.DIN42	42,5	450	420	6090
SEG.DIN45	45,5	450	420	6090
SEG.DIN49	49,0	450	420	6090
SEG.DIN52	52,5	450	385	5583
SEG.DIN60	60,0	450	350	5075

ABRAZADERAS
HOSE BANDS



Referencia	Ø M	Medidas	
		min. (mm)	máx. (mm)
SEG.ABR14	M6	14	15
SEG.ABR16	M6	16	17
SEG.ABR17	M6	17	18
SEG.ABR18	M6	18	19
SEG.ABR20	M6	20	21
SEG.ABR21	M6	21	22
SEG.ABR22	M6	22	23
SEG.ABR24	M6	24	25
SEG.ABR25	M6	25	26
SEG.ABR26	M6	26	27
SEG.ABR27	M6	27	28
SEG.ABR28	M6	28	29
SEG.ABR30	M6	30	31
SEG.ABR32	M6	32	33
SEG.ABR34	M6	34	35
SEG.ABR36	M6	36	37
SEG.ABR38	M6	38	39
SEG.ABR39	M6	39	40
SEG.ABR40	M6	40	41
SEG.ABR42	M6	42	43
SEG.ABR43	M6	43	44
SEG.ABR44	M6	44	45
SEG.ABR45	M8	45	47
SEG.ABR48	M8	48	50
SEG.ABR51	M8	51	53
SEG.ABR53	M8	53	54
SEG.ABR54	M8	54	56
SEG.ABR57	M8	57	59
SEG.ABR60	M8	60	62
SEG.ABR63	M8	63	65
SEG.ABR66	M8	66	68
SEG.ABR69	M8	69	71
SEG.ABR72	M8	72	74
SEG.ABR75	M8	75	77

ADAPTADORES BSI 5200

630 Pág. 52	631 Pág. 52	TMG Pág. 52	THG Pág. 52	TMG/E Pág. 52	THG/E Pág. 52	638 Pág. 52	639 Pág. 52	643 Pág. 53	676 Pág. 53
636 Pág. 53	682 Pág. 53	661 Pág. 53	662 Pág.	683 Pág. 54	647 Pág. 54	649/E Pág. 54	684 Pág. 54	CMMG/90 Pág. 54	691 Pág. 54
CMHG/90 Pág. 55	680 Pág. 55	CHHG/90 Pág. 55	687 Pág. 55	CMMG/45 Pág. 55	693 Pág. 55	CMHG/45 Pág. 55	654 Pág. 55	690 Pág. 56	692 Pág. 56
681 Pág.	663 Pág. 56	698 Pág. 56	665 Pág. 56	666 Pág. 56	670 Pág. 56	671 Pág. 57	672 Pág. 57	673 Pág. 57	674 Pág. 57

ADAPTADORES SAE J514

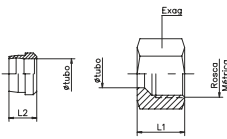
737 Pág. 57	2762X Pág. 57	700 Pág. 58	705 Pág. 58	706 Pág. 58	703 Pág. 58	709 Pág. 58	710 Pág. 58	726 Pág. 58	725 Pág. 59
758 Pág. 59	704G Pág. 59	728 Pág. 59	761 Pág. 59	771 Pág. 61	781 Pág. 60	718 Pág. 60	717 Pág. 60	716 Pág. 60	727 Pág.--
719 Pág. 60	741 Pág. 60	734 Pág. 61	733 Pág. 61	695 Pág. 61	724 Pág. 61	779 Pág. 61	808 Pág. 61		

ADAPTADORES ORFS

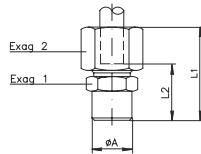
900 Pág. 62	901 Pág. 62	909 Pág. 62	902 Pág. 62	908 Pág. 62	905 Pág. 62	903 Pág. 62	906 Pág. 63	915 Pág. 63	912 Pág. 63
911 Pág. 63	913 Pág. 63	904 Pág. 64	914 Pág. 64	917 Pág. 64	916 Pág. 64				

Añadir "AI" al final de la referencias para piezas en acero inoxidable.

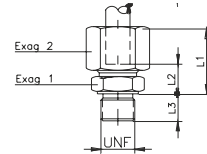
ADAPTADORES DIN 2353



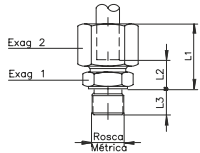
1- Tuerca y anillo de corte.
Pág. 65



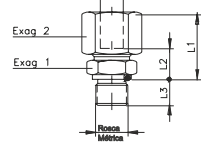
2- Racor recto para soldar.
Pág. 66



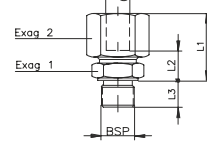
3- Racor recto, rosca UNF.
Pág. 67



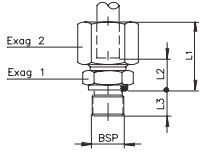
4- Racor recto, rosca métrica cilíndrica.
Pág. 68



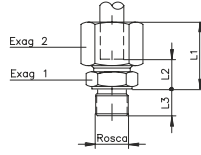
5- Racor recto con junta tórica, rosca métrica cilíndrica.
Pág. 69



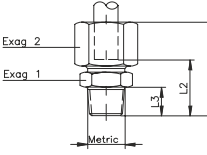
6- Racor recto, rosca GAS cilíndrica.
Pág. 70



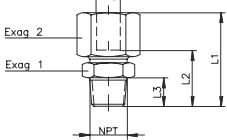
7- Racor recto con junta tórica, rosca GAS cilíndrica.
Pág. 71



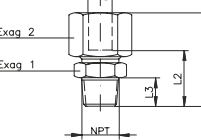
8- Racor recto, rosca GAS/métrica cilíndrica especial.
Pág. 72



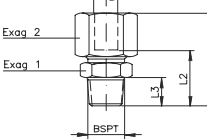
9- Racor recto, rosca métrica cónica.
Pág. 73



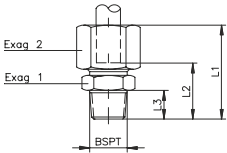
10- Racor recto, rosca NPT
Pág. 74



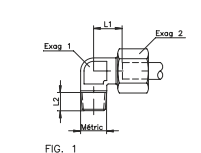
11- Racor recto, rosca NPT especial
Pág. 75



12- Racor recto, rosca GAS cónica
Pág. 76

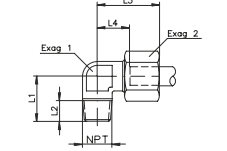


13- Racor recto, rosca GAS cónica especial.
Pág. 77

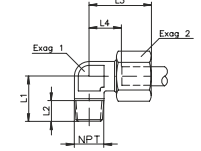


14- Racor en codo, rosca métrica cónica.
Pág. 78

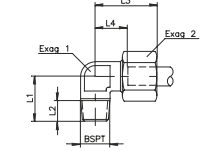
15- Racor en codo, rosca métrica cilíndrica.
Pág. 78



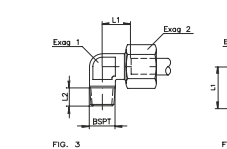
16- Racor en codo, rosca NPT.
Pág. 79



17- Racor en codo, rosca NPT especial.
Pág. 80

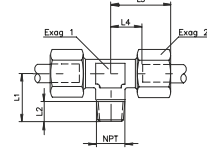


18- Racor en codo, rosca GAS cónica.
Pág. 81

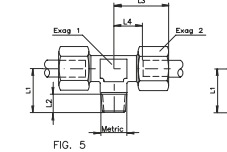


19- Racor en codo, rosca GAS cónica especial.
Pág. 82

20- Racor en codo, rosca GAS cilíndrica.
Pág. 82

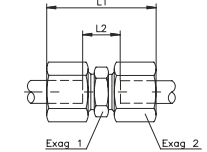


21- Racor en "T", rosca NPT.
Pág. 84

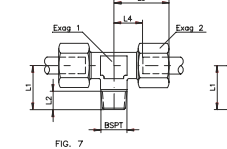


22- Racor en "T", rosca métrica cónica.
Pág. 83

23- Racor en "T", rosca métrica cilíndrica.
Pág. 83

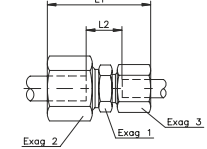


24- Racor de unión recto.
Pág. 86

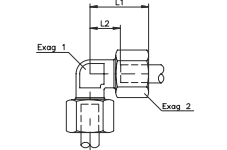


25- Racor en "T", rosca GAS cónica.
Pág. 85

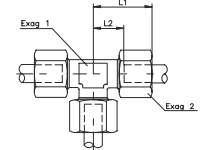
26- Racor en "T", rosca GAS cilíndrica.
Pág. 85



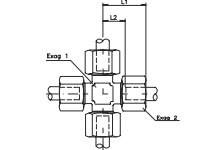
27- Racor de unión recto, reducción.
Pág. 87



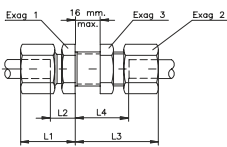
28- Racor de unión en codo.
Pág. 88



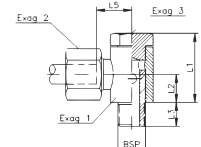
29- Racor de unión en "T".
Pág. 89



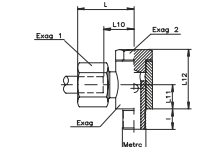
30- Racor de unión en cruz.
Pág. 90



31- Pasatabiques.
Pág. 91

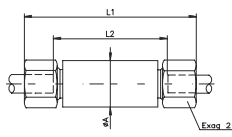


32- Racor orientable, rosca GAS cilíndrica.
Pág. 92

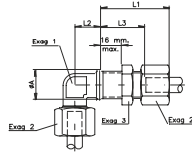


33- Racor orientable, rosca métrica cilíndrica.
Pág. 93

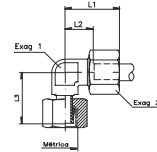
ADAPTADORES DIN 2353



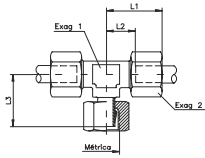
34- Racor de unión para soldar en pasatabiques. Pág. 94



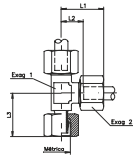
35- Racor de unión, en codo pasatabiques. Pág. 95



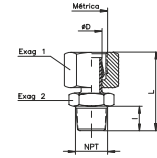
36- Codo orientable. Pág. 96



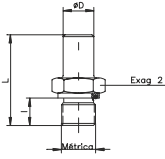
37- "T" orientable. Pág. 97



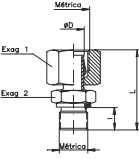
38- "L" orientable. Pág. 98



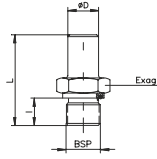
39- Racor macho orientable con anillo y tuerca premontables, rosca NPT. Pág. 99



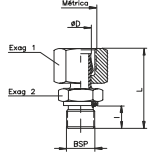
40- Nipples de salida tubular con junta tórica, rosca métrica cilíndrica. Pág. 100



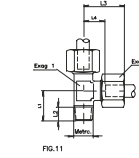
41- Racor macho orientable con junta tórica, rosca métrica con anillo y tuerca. Pág. 101



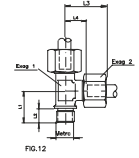
42- Nipples de salida tubular con junta tórica, rosca GAS cilíndrica. Pág. 102



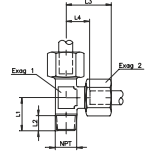
43- Racor macho orientable con junta tórica, rosca GAS con anillo y tuerca. Pág. 103



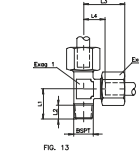
44- Racor en "L", rosca métrica cónica. Pág. 104



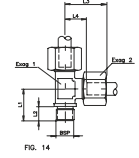
45- Racor en "L", rosca métrica cilíndrica. Pág. 104



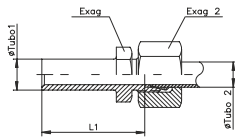
46- Racor en "L", rosca NPT. Pág. 105



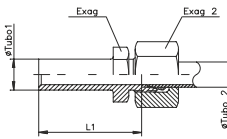
47- Racor en "L", rosca GAS conica. Pág. 106



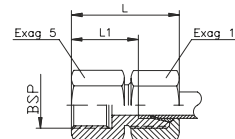
48- Racor en "L", rosca GAS cilíndrica. Pág. 106



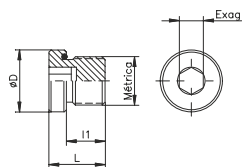
49- Adaptador de reducción tubo macho / tubo hembra. Pág. 107



50- Racor recto hembra, rosca GAS cilíndrica. Pág. 109

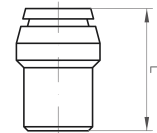


51- Racor recto hembra, rosca métrica cilíndrica. Pág. 110

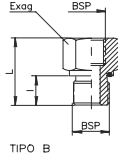
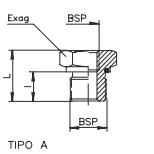


52- Tapón macho para bloque, rosca métrica cilíndrica. Pág. 111

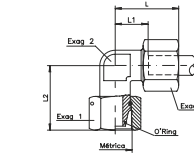
53- Tapón macho para bloque, rosca GAS cilíndrica. Pág. 111



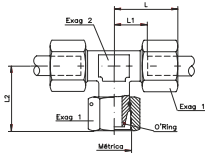
54- Tapón obturador. Pág. 112



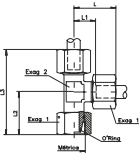
55- Reducción macho/hembra, rosca GAS cilíndrica con junta tórica. Pág. 113



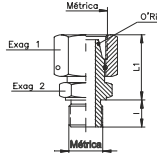
56- Codo orientable hembra con junta tórica. Pág. 114



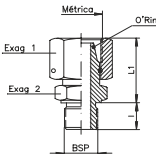
57- "T" orientable hembra con junta tórica. Pág. 115



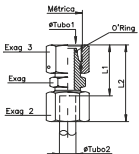
58- "L" reversible orientable hembra con junta tórica. Pág. 116



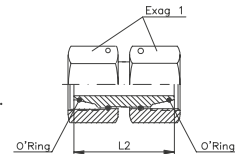
59- Racor macho orientable con junta tórica, rosca métrica cilíndrica. Pág. 117



60- Racor macho orientable con junta tórica, rosca GAS cilíndrica. Pág. 118



61- Adaptador de reducción con junta tórica. Pág. 119

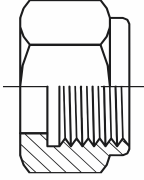


62- Unión doble con junta tórica. Pág. 121

ADAPTADORES BSI 5200

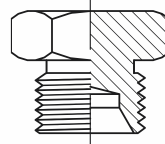
Tuerca

Ref: 630	Galga	Rosca BSP
	04	1/4"-19h
	06	3/8"-19h
	08	1/2"-14h
	12	3/4"-14h
	16	1"-11h
	20	1 1/4"-11h
	24	1 1/2"-11h
	32	2"-11h
	40	2 1/2"-11h
	48	3"-11h



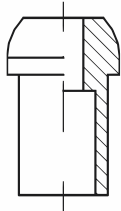
Tapón macho con cono

Ref: TMG/E	Galga	Rosca BSP
	02	1/8"-28h
	04	1/4"-19h
	06	3/8"-19h
	08	1/2"-14h
	12	3/4"-14h
	16	1"-11h
	20	1 1/4"-11h
	24	1 1/2"-11h
	32	2"-11h



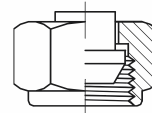
Boquilla

Ref: 631	Galga	Rosca BSP
	04	1/4"-19h
	06	3/8"-19h
	08	1/2"-14h
	12	3/4"-14h
	16	1"-11h
	20	1 1/4"-11h
	24	1 1/2"-11h
	32	2"-11h
	40	2 1/2"-11h
	48	3"-11h



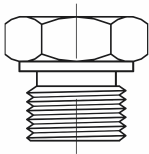
Tapón hembra

Ref: THG/E	Galga	Rosca BSP
	04	1/4"-19h
	06	3/8"-19h
	08	1/2"-14h
	12	3/4"-14h
	16	1"-11h
	20	1 1/4"-11h
	24	1 1/2"-11h
	32	2"-11h



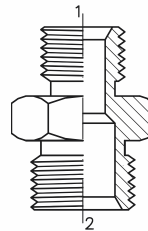
Tapón macho

Ref: TMG	Galga	Rosca BSP
	02	1/8"-28h
	04	1/4"-19h
	06	3/8"-19h
	08	1/2"-14h
	12	3/4"-14h
	16	1"-11h
	20	1 1/4"-11h
	24	1 1/2"-11h
	32	2"-11h



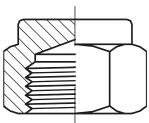
Reducción macho doble

Ref: 638	Galga	R. BSP 1	R. BSP 2
	04-06	1/4"-19h	3/8"-19h
	06-08	3/8"-19h	1/2"-14h
	08-12	1/2"-14h	3/4"-14h
	10-12	5/8"-14h	3/4"-14h
	12-16	3/4"-14h	1"-11h
	16-20	1"-11h	1 1/4"-11h
	20-24	1 1/4"-11h	1 1/2"-11h
	24-32	1 1/2"-11h	2"-11h



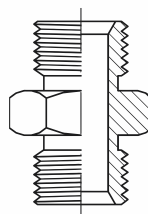
Tapón hembra

Ref: THG	Galga	Rosca BSP
	02	1/8"-28h
	04	1/4"-19h
	06	3/8"-19h
	08	1/2"-14h
	12	3/4"-14h
	16	1"-11h
	20	1 1/4"-11h
	24	1 1/2"-11h
	32	2"-11h



Macho doble recto

Ref: 639	Galga	Rosca BSP	Rosca BSP
	04-04	1/4"-19h	1/4"-19h
	06-06	3/8"-19h	3/8"-19h
	08-08	1/2"-14h	1/2"-14h
	10-10	5/8"-14h	5/8"-14h
	12-12	3/4"-14h	3/4"-14h
	16-16	1"-11h	1"-11h
	20-20	1 1/4"-11h	1 1/4"-11h
	24-24	1 1/2"-11h	1 1/2"-11h
	32-32	2"-11h	2"-11h

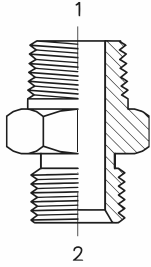


Añadir "AI" al final de las referencias para piezas en acero inoxidable.

ADAPTADORES BSI 5200

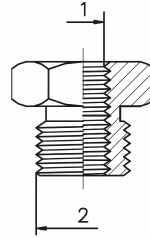
Macho doble recto

Ref: 643	Galga	R. BSPT 1	R. BSP 2
	04-04	1/4"-19h	1/4"-19h
	04-06	1/4"-19h	3/8"-19h
	06-06	3/8"-19h	3/8"-19h
	06-08	3/8"-19h	1/2"-14h
	08-08	1/2"-14h	1/2"-14h
	08-12	1/2"-14h	3/4"-14h
	12-12	3/4"-14h	3/4"-14h
	12-16	3/4"-14h	1"-11h
	16-16	1"-11h	1"-11h
	16-20	1"-11h	1 1/4"-11h
	20-20	1 1/4"-11h	1 1/4"-11h
	20-24	1 1/4"-11h	1 1/2"-11h
	24-24	1 1/2"-11h	1 1/2"-11h
	24-32	1 1/2"-11h	2"-11h
	32-32	2"-11h	2"-11h



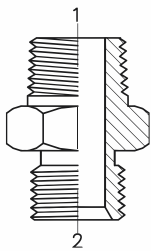
Reducción macho-hembra

Ref: 682	Galga	R. BSP 1	R. BSP 2
	02-04	1/8"-28h	1/4"-19h
	02-06	1/8"-28h	3/8"-19h
	04-06	1/4"-19h	3/8"-19h
	04-08	1/4"-19h	1/2"-14h
	06-08	3/8"-19h	1/2"-14h
	06-12	3/8"-19h	3/4"-14h
	08-12	1/2"-14h	3/4"-14h
	08-16	1/2"-14h	1"-11h
	12-16	3/4"-14h	1"-11h
	12-20	3/4"-14h	1 1/4"-11h
	16-20	1"-11h	1 1/4"-11h
	16-24	1"-11h	1 1/2"-11h
	20-24	1 1/4"-11h	1 1/2"-11h
	24-32	1 1/2"-11h	2"-11h



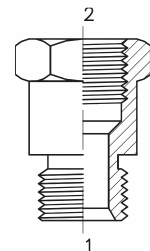
Macho doble

Ref: 676	Galga	R. NPT 1	R. BSP 2
	04-04	1/4"-19h	1/4"-19h
	06-06	3/8"-19h	3/8"-19h
	08-08	1/2"-14h	1/2"-14h
	12-12	3/4"-14h	3/4"-14h
	16-16	1"-11h	1"-11h
	20-20	1 1/4"-11h	1 1/4"-11h
	24-24	1 1/2"-11h	1 1/2"-11h
	32-32	2"-11h	2"-11h



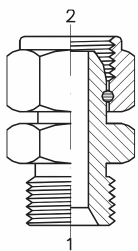
Macho a hembra fija

Ref: 661	Galga	R. BSP 1	R. BSP 2
	04-04	1/4"-19h	1/4"-19h
	04-06	1/4"-19h	3/8"-19h
	06-06	3/8"-19h	3/8"-19h
	06-08	3/8"-19h	1/2"-14h
	08-08	1/2"-14h	1/2"-14h
	08-12	1/2"-14h	3/4"-14h
	12-12	3/4"-14h	3/4"-14h
	12-16	3/4"-14h	1"-11h
	16-16	1"-11h	1"-11h
	16-20	1"-11h	1 1/4"-11h
	20-20	1 1/4"-11h	1 1/4"-11h
	20-24	1 1/4"-11h	1 1/2"-11h
	24-24	1 1/2"-11h	1 1/2"-11h
	24-32	1 1/2"-11h	2"-11h
	32-32	2"-11h	2"-11h



Macho - T.G. Recta

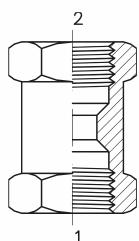
Ref: 636	Galga	R. BSP 1	R. BSP 2
	04-04	1/4"-19h	1/4"-19h
	04-06	1/4"-19h	3/8"-19h
	06-06	3/8"-19h	3/8"-19h
	06-08	3/8"-19h	1/2"-14h
	08-08	1/2"-14h	1/2"-14h
	08-12	1/2"-14h	3/4"-14h
	12-12	3/4"-14h	3/4"-14h
	12-16	3/4"-14h	1"-11h
	16-16	1"-11h	1"-11h
	20-20	1 1/4"-11h	1 1/4"-11h
	24-24	1 1/2"-11h	1 1/2"-11h



ADAPTADORES BSI 5200

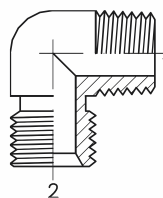
Hembra Fija doble recta

Ref: 662	Galga	R. BSP 1	R. BSP 2
	04-04	1/4"-19h	1/4"-19h
	04-06	1/4"-19h	3/8"-19h
	06-06	3/8"-19h	3/8"-19h
	06-08	3/8"-19h	1/2"-14h
	08-08	1/2"-14h	1/2"-14h
	08-12	1/2"-14h	3/4"-14h
	12-12	3/4"-14h	3/4"-14h
	12-16	3/4"-14h	1"-11h
	16-16	1"-11h	1"-11h
	16-20	1"-11h	1 1/4"-11h
	20-20	1 1/4"-11h	1 1/4"-11h
	20-24	1 1/4"-11h	1 1/2"-11h
	24-24	1 1/2"-11h	1 1/2"-11h
	24-32	1 1/2"-11h	2"-11h
	32-32	2"-11h	2"-11h



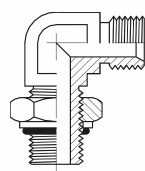
Macho doble 90° (ESTAMPADO)

Ref: 649/E	Galga	R. BSPT 1	R. BSP 2
	04-04	1/4"-19h	1/4"-19h
	06-06	3/8"-19h	3/8"-19h
	08-08	1/2"-14h	1/2"-14h
	12-12	3/4"-14h	3/4"-14h
	16-16	1"-11h	1"-11h
	20-20	1 1/4"-11h	1 1/4"-11h
	24-24	1 1/2"-11h	1 1/2"-11h
	32-32	2"-11h	2"-11h



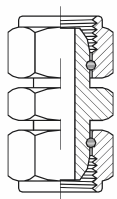
Macho Orientable 90°

Ref: 684	Galga	R. BSP	R. BSP
	04-04	1/4"-19h	1/4"-19h
	06-06	3/8"-19h	3/8"-19h
	08-08	1/2"-14h	1/2"-14h
	12-12	3/4"-14h	3/4"-14h
	16-16	1"-11h	1"-11h



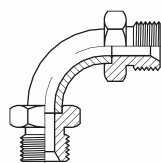
T. G. Doble Recta

Ref: 683	Galga	R. BSP	R. BSP
	04-04	1/4"-19h	1/4"-19h
	06-06	3/8"-19h	3/8"-19h
	08-08	1/2"-14h	1/2"-14h
	12-12	3/4"-14h	3/4"-14h
	16-16	1"-11h	1"-11h
	20-20	1 1/4"-11h	1 1/4"-11h
	24-24	1 1/2"-11h	1 1/2"-11h



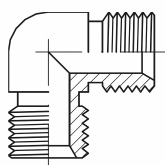
Macho Doble a 90°

Ref: CMMG/90	Galga	R. BSP	R. BSP
	04-04	1/4"-19h	1/4"-19h
	06-06	3/8"-19h	3/8"-19h
	08-08	1/2"-14h	1/2"-14h
	12-12	3/4"-14h	3/4"-14h
	16-16	1"-11h	1"-11h



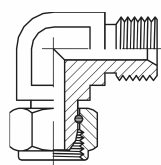
Macho doble 90° (ESTAMPADO)

Ref: 647/E	Galga	R. BSP	R. BSP
	04-04	1/4"-19h	1/4"-19h
	06-06	3/8"-19h	3/8"-19h
	08-08	1/2"-14h	1/2"-14h
	12-12	3/4"-14h	3/4"-14h
	16-16	1"-11h	1"-11h
	20-20	1 1/4"-11h	1 1/4"-11h
	24-24	1 1/2"-11h	1 1/2"-11h
	32-32	2"-11h	2"-11h



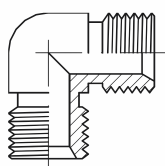
Codo 90° M - Tuerca giratoria (ESTAMPADO)

Ref: 691/E	Galga	R. BSP	R. BSP
	04-04	1/4"-19h	1/4"-19h
	06-06	3/8"-19h	3/8"-19h
	08-08	1/2"-14h	1/2"-14h
	12-12	3/4"-14h	3/4"-14h
	16-16	1"-11h	1"-11h
	20-20	1 1/4"-11h	1 1/4"-11h
	24-24	1 1/2"-11h	1 1/2"-11h
	32-32	2"-11h	2"-11h



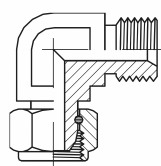
Macho doble 90° (SOLDADO)

Ref: 647	Galga	R. BSP	R. BSP
	04-04	1/4"-19h	1/4"-19h
	06-06	3/8"-19h	3/8"-19h
	08-08	1/2"-14h	1/2"-14h
	12-12	3/4"-14h	3/4"-14h
	16-16	1"-11h	1"-11h
	20-20	1 1/4"-11h	1 1/4"-11h
	24-24	1 1/2"-11h	1 1/2"-11h
	32-32	2"-11h	2"-11h



Codo 90° M - Tuerca giratoria (SOLDADO)

Ref: 691	Galga	R. BSP	R. BSP
	04-04	1/4"-19h	1/4"-19h
	06-06	3/8"-19h	3/8"-19h
	08-08	1/2"-14h	1/2"-14h
	12-12	3/4"-14h	3/4"-14h
	16-16	1"-11h	1"-11h
	20-20	1 1/4"-11h	1 1/4"-11h
	24-24	1 1/2"-11h	1 1/2"-11h
	32-32	2"-11h	2"-11h

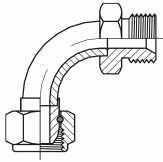


Añadir "AI" al final de las referencias para piezas en acero inoxidable.

ADAPTADORES BSI 5200

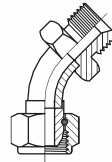
Macho - T. G. a 90°

Ref: CMHG/90	Galga	R. BSP	R. BSP
	04-04	1/4"-19h	1/4"-19h
	06-06	3/8"-19h	3/8"-19h
	08-08	1/2"-14h	1/2"-14h
	12-12	3/4"-14h	3/4"-14h
	16-16	1"-11h	1"-11h



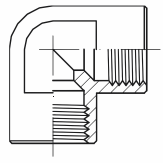
Macho - T. G. a 45°

Ref: CMHG/45	Galga	R. BSP	R. BSP
	04-04	1/4"-19h	1/4"-19h
	06-06	3/8"-19h	3/8"-19h
	08-08	1/2"-14h	1/2"-14h
	12-12	3/4"-14h	3/4"-14h
	16-16	1"-11h	1"-11h



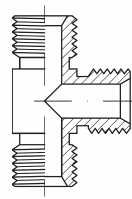
Codo 90° Hembra Fija

Ref: 680	Galga	R. BSP	R. BSP
	04-04	1/4"-19h	1/4"-19h
	06-06	3/8"-19h	3/8"-19h
	08-08	1/2"-14h	1/2"-14h
	12-12	3/4"-14h	3/4"-14h
	16-16	1"-11h	1"-11h



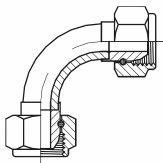
"T" Macho (ESTAMPADO)

Ref: 654/E	Galga	R. BSP	R. BSP	R. BSP
	04-04	1/4"-19h	1/4"-19h	1/4"-19h
	06-06	3/8"-19h	3/8"-19h	3/8"-19h
	08-08	1/2"-14h	1/2"-14h	1/2"-14h
	12-12	3/4"-14h	3/4"-14h	3/4"-14h
	16-16	1"-11h	1"-11h	1"-11h
	20-20	1 1/4"-11h	1 1/4"-11h	1 1/4"-11h
	24-24	1 1/2"-11h	1 1/2"-11h	1 1/2"-11h
	32-32	2"-11h	2"-11h	2"-11h



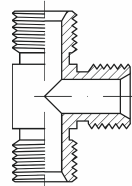
Codo 90° Tuerca giratoria - tuerca giratoria

Ref: CHHG/90	Galga	R. BSP	R. BSP
	04-04	1/4"-19h	1/4"-19h
	06-06	3/8"-19h	3/8"-19h
	08-08	1/2"-14h	1/2"-14h
	12-12	3/4"-14h	3/4"-14h
	16-16	1"-11h	1"-11h



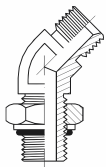
"T" Macho (SOLDADO)

Ref: 654	Galga	R. BSP	R. BSP	R. BSP
	04-04	1/4"-19h	1/4"-19h	1/4"-19h
	06-06	3/8"-19h	3/8"-19h	3/8"-19h
	08-08	1/2"-14h	1/2"-14h	1/2"-14h
	12-12	3/4"-14h	3/4"-14h	3/4"-14h
	16-16	1"-11h	1"-11h	1"-11h
	20-20	1 1/4"-11h	1 1/4"-11h	1 1/4"-11h
	24-24	1 1/2"-11h	1 1/2"-11h	1 1/2"-11h
	32-32	2"-11h	2"-11h	2"-11h



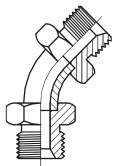
Macho Orientable 45°

Ref: 687	Galga	R. BSP	R. BSP
	04-04	1/4"-19h	1/4"-19h
	06-06	3/8"-19h	3/8"-19h
	08-08	1/2"-14h	1/2"-14h
	12-12	3/4"-14h	3/4"-14h
	16-16	1"-11h	1"-11h



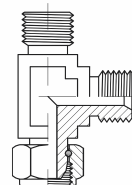
Codo 45° Macho doble

Ref: CMMG/45	Galga	R. BSP	R. BSP
	04-04	1/4"-19h	1/4"-19h
	06-06	3/8"-19h	3/8"-19h
	08-08	1/2"-14h	1/2"-14h
	12-12	3/4"-14h	3/4"-14h
	16-16	1"-11h	1"-11h



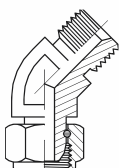
"T" Macho T. G. Lateral (ESTAMPADO)

Ref: 690/E	Galga	R. BSP	R. BSP	R. BSP
	04-04	1/4"-19h	1/4"-19h	1/4"-19h
	06-06	3/8"-19h	3/8"-19h	3/8"-19h
	08-08	1/2"-14h	1/2"-14h	1/2"-14h
	12-12	3/4"-14h	3/4"-14h	3/4"-14h
	16-16	1"-11h	1"-11h	1"-11h
	20-20	1 1/4"-11h	1 1/4"-11h	1 1/4"-11h
	24-24	1 1/2"-11h	1 1/2"-11h	1 1/2"-11h
	32-32	2"-11h	2"-11h	2"-11h



Macho - T. G. a 45°

Ref: 693	Galga	R. BSP	R. BSP
	04-04	1/4"-19h	1/4"-19h
	06-06	3/8"-19h	3/8"-19h
	08-08	1/2"-14h	1/2"-14h
	12-12	3/4"-14h	3/4"-14h
	16-16	1"-11h	1"-11h

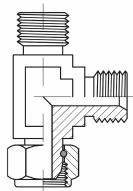


Añadir "AI" al final de las referencias para piezas en acero inoxidable.

ADAPTADORES BSI 5200

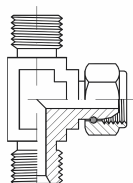
"T" Macho-T.G. Lateral (SOLDADO)

Ref: 690	Galga	R. BSP	R. BSP	R. BSP
	04-04	1/4"-19h	1/4"-19h	1/4"-19h
	06-06	3/8"-19h	3/8"-19h	3/8"-19h
	08-08	1/2"-14h	1/2"-14h	1/2"-14h
	12-12	3/4"-14h	3/4"-14h	3/4"-14h
	16-16	1"-11h	1"-11h	1"-11h
	20-20	1 1/4"-11h	1 1/4"-11h	1 1/4"-11h
	24-24	1 1/2"-11h	1 1/2"-11h	1 1/2"-11h
	32-32	2"-11h	2"-11h	2"-11h



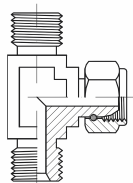
"T" Macho T.G. Central (ESTAMPADO)

Ref: 692/E	Galga	R. BSP	R. BSP	R. BSP
	04-04	1/4"-19h	1/4"-19h	1/4"-19h
	06-06	3/8"-19h	3/8"-19h	3/8"-19h
	08-08	1/2"-14h	1/2"-14h	1/2"-14h
	12-12	3/4"-14h	3/4"-14h	3/4"-14h
	16-16	1"-11h	1"-11h	1"-11h
	20-20	1 1/4"-11h	1 1/4"-11h	1 1/4"-11h
	24-24	1 1/2"-11h	1 1/2"-11h	1 1/2"-11h
	32-32	2"-11h	2"-11h	2"-11h



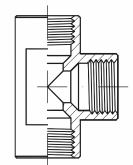
"T" Macho T.G. Central (SOLDADO)

Ref: 692	Galga	R. BSP	R. BSP	R. BSP
	04-04	1/4"-19h	1/4"-19h	1/4"-19h
	06-06	3/8"-19h	3/8"-19h	3/8"-19h
	08-08	1/2"-14h	1/2"-14h	1/2"-14h
	12-12	3/4"-14h	3/4"-14h	3/4"-14h
	16-16	1"-11h	1"-11h	1"-11h
	20-20	1 1/4"-11h	1 1/4"-11h	1 1/4"-11h
	24-24	1 1/2"-11h	1 1/2"-11h	1 1/2"-11h
	32-32	2"-11h	2"-11h	2"-11h



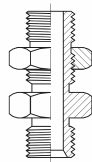
"T" Hembra Fija

Ref: 681	Galga	R. BSP	R. BSP	R. BSP
	04-04	1/4"-19h	1/4"-19h	1/4"-19h
	06-06	3/8"-19h	3/8"-19h	3/8"-19h
	08-08	1/2"-14h	1/2"-14h	1/2"-14h
	12-12	3/4"-14h	3/4"-14h	3/4"-14h
	16-16	1"-11h	1"-11h	1"-11h



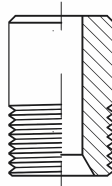
Pasatabique recto

Ref: 663	Galga	R. BSP	R. BSP
	04-04	1/4"-19h	1/4"-19h
	06-06	3/8"-19h	3/8"-19h
	08-08	1/2"-14h	1/2"-14h
	12-12	3/4"-14h	3/4"-14h
	16-16	1"-11h	1"-11h



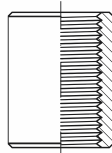
Macho para soldar

Ref: 698	Galga	Rosca BSP
	02-02	1/8"-19h
	04-04	1/4"-19h
	06-06	3/8"-19h
	08-08	1/2"-14h
	12-12	3/4"-14h
	16-16	1"-11h
	20-20	1 1/4"-11h
	24-24	1 1/2"-11h
	32-32	2"-11h



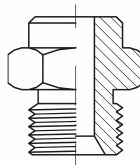
Manguito hembra

Ref: 665N	Galga	Rosca BSP
	04-04	1/4"-19h
	06-06	3/8"-19h
	08-08	1/2"-14h
	12-12	3/4"-14h
	16-16	1"-11h
	20-20	1 1/4"-11h
	24-24	1 1/2"-11h
	32-32	2"-11h
	32-32	2"-11h



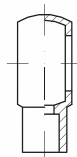
Empalme

Ref: 666	Galga	Rosca BSP
	04-04	1/4"-19h
	06-06	3/8"-19h
	08-08	1/2"-14h
	12-12	3/4"-14h
	16-16	1"-11h
	20-20	1 1/4"-11h
	24-24	1 1/2"-11h
	32-32	2"-11h
	40-40	2 1/2"-11h
	48-48	3"-11h



Orientable a soldadura

Ref: 670	Galga	Rosca BSP
	14-14	1/4"
	17-17	3/8"
	21-21	1/2"
	25-27	3/4"
	30-34	1"

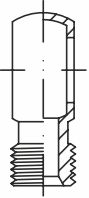


Añadir "AI" al final de las referencias para piezas en acero inoxidable.

ADAPTADORES BSI 5200

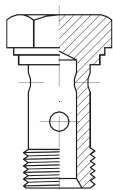
Orientable Roscado

Ref: 671	Galga	Rosca BSP
	04-04	1/4"
	06-06	3/8"
	08-08	1/2"
	12-12	3/4"
	16-16	1"



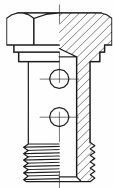
Tornillo Hueco

Ref: 672	Galga	Rosca BSP
	14-14	1/4"
	38-17	3/8"
	12-21	1/2"
	34-27	3/4"
	10-34	1"



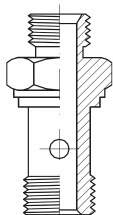
Tornillo Hueco Doble

Ref: 673	Galga	Rosca BSP
	04-04	1/4"
	06-06	3/8"
	08-08	1/2"
	12-12	3/4"
	16-16	1"



Tornillo prolongación

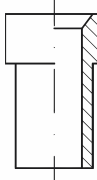
Ref: 674	Galga	Rosca BSP
	04-04	1/4"-1/4"
	06-04	3/8"-1/4"
	06-06	3/8"-3/8"
	08-06	1/2"-3/8"
	08-08	1/2"-1/2"
	12-08	3/4"-1/2"
	12-12	3/4"-3/4"
	16-12	1"-3/4"
	16-16	1"-1"



ADAPTADORES SAE J514

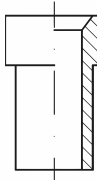
Férula tubo pulgadas

Ref: 737	Galga	Ø Tubo
	04-04	1/4"
	05-05	5/16"
	06-06	3/8"
	08-08	1/2"
	10-10	5/8"
	12-12	3/4"
	16-16	1"
	20-20	1 1/4"
	24-24	1 1/2"



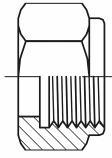
Férula tubo milimétrico

Ref: 737	Galga	Ø Tubo
	00-06	Ø 6
	00-08	Ø 8
	00-10	Ø 10
	00-12	Ø 12
	00-16	Ø 16
	00-20	Ø 20
	00-25	Ø 25
	00-32	Ø 32
	00-38	Ø 38



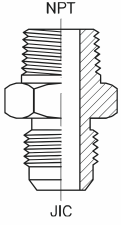
Tuerca

Ref.	Rosca Tubo	Tubo	Ø Tubo
27621	7/16"-20h	1/4"	6
27622	1/2"-20h	5/16"	8
27623	9/16"-18h	3/8"	10
27624	3/4"-16h	1/2"	14
27625	7/8"-14h	5/8"	6
27626	1 1/16"-12h	3/4"	20
27627	1 5/16"-12h	1"	25
27628	1 5/8"-12h	1 1/4"	32
27629	1 7/8"-12h	1 1/2"	38

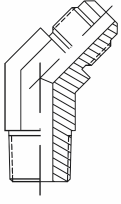


ADAPTADORES SAE J514

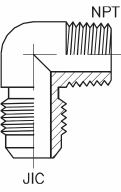
Macho doble

Ref: 700	Galga	R. NPT	R. JIC
	04-04	1/4"-18h	7/16"-20h
	04-05	1/4"-18h	1/2"-20h
	04-06	1/4"-18h	9/16"-18h
	06-06	3/8"-18h	9/16"-18h
	06-08	3/8"-18h	3/4"-16h
	08-08	1/2"-14h	3/4"-16h
	08-10	1/2"-14h	7/8"-14h
	08-12	1/2"-14h	1 1/16"-12h
	12-12	3/4"-14h	1 1/16"-12h
	12-16	3/4"-14h	1 5/16"-12h
	16-16	1"-11,5h	1 5/16"-12h
	20-20	1 1/4"-11,5h	1 5/8"-12h
	24-24	1 1/2"-11,5h	1 7/8"-12h

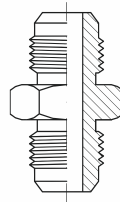
Macho doble a 45°

Ref: 705	Galga	R. NPT	R. JIC
	04-04	1/4"-18h	7/16"-20h
	04-05	1/4"-18h	1/2"-20h
	04-06	1/4"-18h	9/16"-18h
	06-06	3/8"-18h	9/16"-18h
	06-08	3/8"-18h	3/4"-16h
	08-08	1/2"-14h	3/4"-16h
	08-10	1/2"-14h	7/8"-14h
	08-12	1/2"-14h	1 1/16"-12h
	12-12	3/4"-14h	1 1/16"-12h
	12-16	3/4"-14h	1 5/16"-12h
	16-16	1"-11,5h	1 5/16"-12h
	20-20	1 1/4"-11,5h	1 5/8"-12h
	24-24	1 1/2"-11,5h	1 7/8"-12h

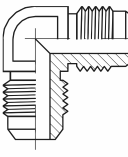
Codo 90° Macho

Ref: 706	Galga	R. NPT	R. JIC
	04-04	1/4"-18h	7/16"-20h
	04-05	1/4"-18h	1/2"-20h
	04-06	1/4"-18h	9/16"-18h
	06-06	3/8"-18h	9/16"-18h
	06-08	3/8"-18h	3/4"-16h
	08-08	1/2"-14h	3/4"-16h
	08-10	1/2"-14h	7/8"-14h
	08-12	1/2"-14h	1 1/16"-12h
	12-12	3/4"-14h	1 1/16"-12h
	12-16	3/4"-14h	1 5/16"-12h
	16-16	1"-11,5h	1 5/16"-12h
	20-20	1 1/4"-11,5h	1 5/8"-12h
	24-24	1 1/2"-11,5h	1 7/8"-12h

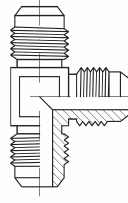
Macho doble recto

Ref: 703	Galga	R. JIC	R. JIC
	04-04	7/16"-20h	7/16"-20h
	05-05	1/2"-20h	1/2"-20h
	06-06	9/16"-18h	9/16"-18h
	08-08	3/4"-16h	3/4"-16h
	10-10	7/8"-14h	7/8"-14h
	12-12	1 1/16"-12h	1 1/16"-12h
	16-16	1 5/16"-12h	1 5/16"-12h
	20-20	1 5/8"-12h	1 5/8"-12h
	24-24	1 7/8"-12h	1 7/8"-12h

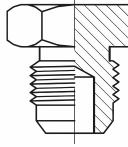
Macho doble a 90°

Ref: 709	Galga	R. JIC	R. JIC
	04-04	7/16"-20h	7/16"-20h
	05-05	1/2"-20h	1/2"-20h
	06-06	9/16"-18h	9/16"-18h
	08-08	3/4"-16h	3/4"-16h
	10-10	7/8"-14h	7/8"-14h
	12-12	1 1/16"-12h	1 1/16"-12h
	16-16	1 5/16"-12h	1 5/16"-12h
	20-20	1 5/8"-12h	1 5/8"-12h
	24-24	1 7/8"-12h	1 7/8"-12h

Macho doble a 90°

Ref: 710	Galga	R. JIC
	04-04	7/16"-20h
	05-05	1/2"-20h
	06-06	9/16"-18h
	08-08	3/4"-16h
	10-10	7/8"-14h
	12-12	1 1/16"-12h
	16-16	1 5/16"-12h
	20-20	1 5/8"-12h
	24-24	1 7/8"-12h

Tapón Macho

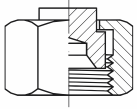
Ref: 726	Galga	R. JIC
	04-04	7/16"-20h
	05-05	1/2"-20h
	06-06	9/16"-18h
	08-08	3/4"-16h
	10-10	7/8"-14h
	12-12	1 1/16"-12h
	16-16	1 5/16"-12h
	20-20	1 5/8"-12h
	24-24	1 7/8"-12h

Añadir "AI" al final de las referencias para piezas en acero inoxidable.

ADAPTADORES SAE J514

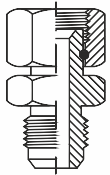
Tapón Hembra

Ref: 725	Galga	R. JIC
	04-04	7/16"-20h
	05-05	1/2"-20h
	06-06	9/16"-18h
	08-08	3/4"-16h
	10-10	7/8"-14h
	12-12	1 1/16"-12h
	16-16	1 5/16"-12h
	20-20	1 5/8"-12h
	24-24	1 7/8"-12h



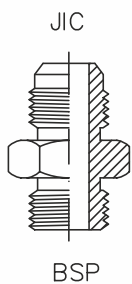
T.G. a macho recto

Ref: 758	Galga	R. JIC	R. JIC
	04-04	7/16"-20h	7/16"-20h
	05-05	1/2"-20h	1/2"-20h
	06-06	9/16"-18h	9/16"-18h
	08-08	3/4"-16h	3/4"-16h
	10-10	7/8"-14h	7/8"-14h
	12-12	1 1/16"-12h	1 1/16"-12h
	16-16	1 5/16"-12h	1 5/16"-12h
	20-20	1 5/8"-12h	1 5/8"-12h
	24-24	1 7/8"-12h	1 7/8"-12h



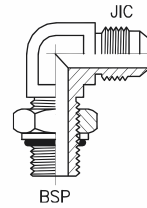
Macho doble recto (JIC - BSP)

Ref: 704-G	Galga	R. JIC	R. BSP
	04-04	7/16"-20h	1/4"-19h
	04-05	1/2"-20h	1/4"-19h
	04-06	9/16"-18h	1/4"-19h
	06-06	9/16"-18h	3/8"-19h
	06-08	3/4"-16h	3/8"-19h
	08-06	9/16"-18h	1/2"-14h
	08-08	3/4"-16h	1/2"-14h
	08-10	7/8"-14h	1/2"-14h
	12-12	1 1/16"-12h	3/4"-14h
	12-16	1 5/16"-12h	3/4"-14h
	16-16	1 5/16"-12h	1"-11h
	16-12	1 1/16"-12h	1"-11h



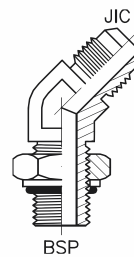
Orientable 90°

Ref: 728	Galga	R. BSP	R. JIC
	04-04	1/4"-19h	7/16"-20h
	04-05	1/4"-19h	1/2"-20h
	04-06	1/4"-19h	9/16"-18h
	06-06	3/8"-19h	9/16"-18h
	06-08	3/8"-19h	3/4"-16h
	08-06	1/2"-14h	9/16"-18h
	08-08	1/2"-14h	3/4"-16h
	08-10	1/2"-14h	7/8"-14h
	12-12	3/4"-14h	1 1/16"-12h
	12-16	3/4"-14h	1 5/16"-12h
	16-16	1"-11h	1 5/16"-12h
	16-12	1"-11h	1 1/16"-12h



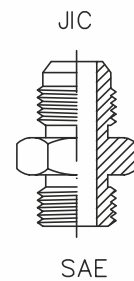
Orientable 45°

Ref: 761	Galga	R. BSP	R. JIC
	04-04	1/4"-19h	7/16"-20h
	04-05	1/4"-19h	1/2"-20h
	04-06	1/4"-19h	9/16"-18h
	06-06	3/8"-19h	9/16"-18h
	06-08	3/8"-19h	3/4"-16h
	08-06	1/2"-14h	9/16"-18h
	08-08	1/2"-14h	3/4"-16h
	08-10	1/2"-14h	7/8"-14h
	12-12	3/4"-14h	1 1/16"-12h
	12-16	3/4"-14h	1 5/16"-12h
	16-16	1"-11h	1 5/16"-12h
	16-12	1"-11h	1 1/16"-12h



Macho doble recto (JIC - SAE)

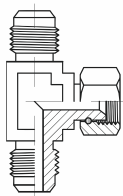
Ref: 704	Galga	R. JIC	R. SAE
	04-04	7/16"-20h	7/16"-20h
	04-05	1/2"-20h	1/2"-20h
	04-06	9/16"-18h	9/16"-18h
	06-06	9/16"-18h	9/16"-18h
	06-08	3/4"-16h	3/4"-16h
	08-06	9/16"-18h	9/16"-18h
	08-08	3/4"-16h	3/4"-16h
	08-10	7/8"-14h	7/8"-14h
	12-12	1 1/16"-12h	1 1/16"-12h
	12-16	1 5/16"-12h	1 5/16"-12h
	16-16	1 5/16"-12h	1 5/16"-12h
	16-12	1 1/16"-12h	1 1/16"-12h



ADAPTADORES SAE J514

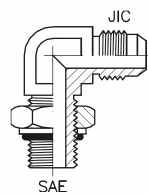
"T" Macho T.G. Central

Ref: 781	Galga	R. JIC	R. JIC
	04-04	7/16"-20h	7/16"-20h
	05-05	1/2"-20h	1/2"-20h
	06-06	9/16"-18h	9/16"-18h
	08-08	3/4"-16h	3/4"-16h
	10-10	7/8"-14h	7/8"-14h
	12-12	1 1/16"-12h	1 1/16"-12h
	16-16	1 5/16"-12h	1 5/16"-12h
	20-20	1 5/8"-12h	1 5/8"-12h
	24-24	1 7/8"-12h	1 7/8"-12h



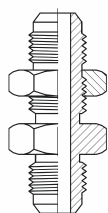
Macho orientable 90°

Ref: 727	Galga	R. SAE	R. JIC
	04-04	7/16"-20h	7/16"-20h
	05-05	1/2"-20h	1/2"-20h
	06-06	9/16"-18h	9/16"-18h
	08-08	3/4"-16h	3/4"-16h
	10-10	7/8"-14h	7/8"-14h
	12-12	1 1/16"-12h	1 1/16"-12h
	16-16	1 5/16"-12h	1 5/16"-12h
	20-20	1 5/8"-12h	1 5/8"-12h
	24-24	1 7/8"-12h	1 7/8"-12h



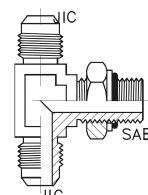
Pasatabique recto

Ref: 718	Galga	R. JIC	R. JIC
	04-04	7/16"-20h	7/16"-20h
	05-05	1/2"-20h	1/2"-20h
	06-06	9/16"-18h	9/16"-18h
	08-08	3/4"-16h	3/4"-16h
	10-10	7/8"-14h	7/8"-14h
	12-12	1 1/16"-12h	1 1/16"-12h
	16-16	1 5/16"-12h	1 5/16"-12h
	20-20	1 5/8"-12h	1 5/8"-12h
	24-24	1 7/8"-12h	1 7/8"-12h



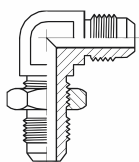
"T" macho orientable

Ref: 719	Galga	R. SAE	R. JIC
	04-04	7/16"-20h	7/16"-20h
	05-05	1/2"-20h	1/2"-20h
	06-06	9/16"-18h	9/16"-18h
	08-08	3/4"-16h	3/4"-16h
	10-10	7/8"-14h	7/8"-14h
	12-12	1 1/16"-12h	1 1/16"-12h
	16-16	1 5/16"-12h	1 5/16"-12h
	20-20	1 5/8"-12h	1 5/8"-12h
	24-24	1 7/8"-12h	1 7/8"-12h



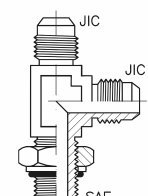
Pasatabique 90°

Ref: 717	Galga	R. JIC	R. JIC
	04-04	7/16"-20h	7/16"-20h
	05-05	1/2"-20h	1/2"-20h
	06-06	9/16"-18h	9/16"-18h
	08-08	3/4"-16h	3/4"-16h
	10-10	7/8"-14h	7/8"-14h
	12-12	1 1/16"-12h	1 1/16"-12h
	16-16	1 5/16"-12h	1 5/16"-12h
	20-20	1 5/8"-12h	1 5/8"-12h
	24-24	1 7/8"-12h	1 7/8"-12h



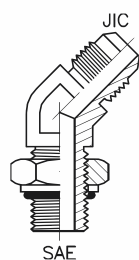
"T" macho orientable

Ref: 741	Galga	R. SAE	R. JIC
	04-04	7/16"-20h	7/16"-20h
	05-05	1/2"-20h	1/2"-20h
	06-06	9/16"-18h	9/16"-18h
	08-08	3/4"-16h	3/4"-16h
	10-10	7/8"-14h	7/8"-14h
	12-12	1 1/16"-12h	1 1/16"-12h
	16-16	1 5/16"-12h	1 5/16"-12h
	20-20	1 5/8"-12h	1 5/8"-12h
	24-24	1 7/8"-12h	1 7/8"-12h



Macho orientable 45°

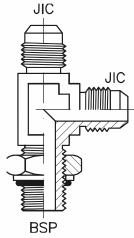
Ref: 716	Galga	R. SAE	R. JIC
	04-04	7/16"-20h	7/16"-20h
	05-05	1/2"-20h	1/2"-20h
	06-06	9/16"-18h	9/16"-18h
	08-08	3/4"-16h	3/4"-16h
	10-10	7/8"-14h	7/8"-14h
	12-12	1 1/16"-12h	1 1/16"-12h
	16-16	1 5/16"-12h	1 5/16"-12h
	20-20	1 5/8"-12h	1 5/8"-12h
	24-24	1 7/8"-12h	1 7/8"-12h



ADAPTADORES SAE J514

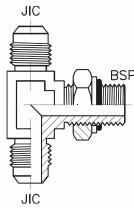
"T" Orientable

Ref: 734	Galga	R. BSP	R. JIC
	04-04	1/4"-19h	7/16"-20h
	04-05	1/4"-19h	1/2"-20h
	04-06	1/4"-19h	9/16"-18h
	06-06	3/8"-19h	9/16"-18h
	06-08	3/8"-19h	3/4"-16h
	08-06	1/2"-14h	9/16"-18h
	08-08	1/2"-14h	3/4"-16h
	08-10	1/2"-14h	7/8"-14h
	12-12	3/4"-14h	1 1/16"-12h
	12-16	3/4"-14h	1 5/16"-12h
	16-16	1"-11h	1 5/16"-12h
	16-12	1"-11h	1 1/16"-12h



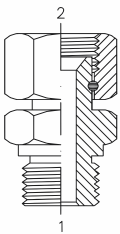
"T" Orientable

Ref: 733	Galga	R. BSP	R. JIC
	04-04	1/4"-19h	7/16"-20h
	04-05	1/4"-19h	1/2"-20h
	04-06	1/4"-19h	9/16"-18h
	06-06	3/8"-19h	9/16"-18h
	06-08	3/8"-19h	3/4"-16h
	08-06	1/2"-14h	9/16"-18h
	08-08	1/2"-14h	3/4"-16h
	08-10	1/2"-14h	7/8"-14h
	12-12	3/4"-14h	1 1/16"-12h
	12-16	3/4"-14h	1 5/16"-12h
	16-16	1"-11h	1 5/16"-12h
	16-12	1"-11h	1 1/16"-12h



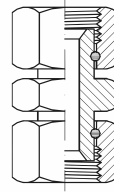
Macho doble recto

Ref: 695	Galga	R. BSP	R. JIC
	04-04	1/4"-19h	7/16"-20h
	04-05	1/4"-19h	1/2"-20h
	04-06	1/4"-19h	9/16"-18h
	06-06	3/8"-19h	9/16"-18h
	06-08	3/8"-19h	3/4"-16h
	08-06	1/2"-14h	9/16"-18h
	08-08	1/2"-14h	3/4"-16h
	08-10	1/2"-14h	7/8"-14h
	12-12	3/4"-14h	1 1/16"-12h
	12-16	3/4"-14h	1 5/16"-12h
	16-16	1"-11h	1 5/16"-12h
	16-12	1"-11h	1 1/16"-12h



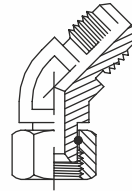
Tuerca Giratoria Doble

Ref: 724	Galga	R. JIC	R. JIC
	04-04	7/16"-20h	7/16"-20h
	05-05	1/2"-20h	1/2"-20h
	06-06	9/16"-18h	9/16"-18h
	08-08	3/4"-16h	3/4"-16h
	10-10	7/8"-14h	7/8"-14h
	12-12	1 1/16"-12h	1 1/16"-12h
	16-16	1 5/16"-12h	1 5/16"-12h



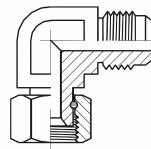
Codo 45° T.G.-Macho

Ref: 779	Galga	R. JIC	R. JIC
	04-04	7/16"-20h	7/16"-20h
	05-05	1/2"-20h	1/2"-20h
	06-06	9/16"-18h	9/16"-18h
	08-08	3/4"-16h	3/4"-16h
	10-10	7/8"-14h	7/8"-14h
	12-12	1 1/16"-12h	1 1/16"-12h
	16-16	1 5/16"-12h	1 5/16"-12h
	20-20	1 5/8"-12h	1 5/8"-12h
	24-24	1 7/8"-12h	1 7/8"-12h



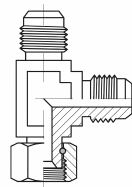
Codo 90° T.G.-Macho

Ref: 808	Galga	R. JIC	R. JIC
	04-04	7/16"-20h	7/16"-20h
	05-05	1/2"-20h	1/2"-20h
	06-06	9/16"-18h	9/16"-18h
	08-08	3/4"-16h	3/4"-16h
	10-10	7/8"-14h	7/8"-14h
	12-12	1 1/16"-12h	1 1/16"-12h
	16-16	1 5/16"-12h	1 5/16"-12h
	20-20	1 5/8"-12h	1 5/8"-12h
	24-24	1 7/8"-12h	1 7/8"-12h



"T" Macho T.G. Lateral

Ref: 771	Galga	R. JIC
	04-04	7/16"-20h
	05-05	1/2"-20h
	06-06	9/16"-18h
	08-08	3/4"-16h
	10-10	7/8"-14h
	12-12	1 1/16"-12h
	16-16	1 5/16"-12h
	20-20	1 5/8"-12h
	24-24	1 7/8"-12h

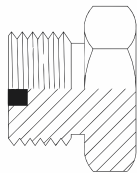


Añadir "AI" al final de las referencias para piezas en acero inoxidable.

ADAPTADORES ORFS

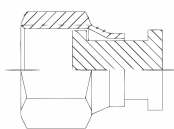
Tapón Macho ORFS

Ref: 900	Galga	R. ORFS
	04-04	9/16"-18h
	06-06	11/16"-16h
	08-08	13/16"-16h
	10-10	1"-14h
	12-12	1 3/16"-12h
	16-16	1 7/16"-12h
	20-20	1 11/16"-12h



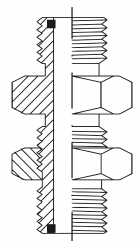
Tapón Hembra ORFS

Ref: 901	Galga	R. ORFS
	04-04	9/16"-18h
	06-06	11/16"-16h
	08-08	13/16"-16h
	10-10	1"-14h
	12-12	1 3/16"-12h
	16-16	1 7/16"-12h
	20-20	1 11/16"-12h



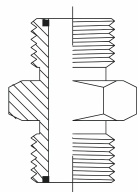
Pasatabique

Ref: 909	Galga	R. ORFS
	04-04	9/16"-18h
	06-06	11/16"-16h
	08-08	13/16"-16h
	10-10	1"-14h
	12-12	1 3/16"-12h
	16-16	1 7/16"-12h
	20-20	1 11/16"-12h



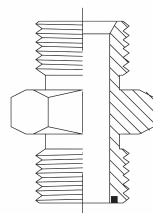
Macho doble recto

Ref: 902	Galga	R. ORFS	R. ORFS
	04-04	9/16"-18h	9/16"-18h
	04-06	9/16"-18h	11/16"-16h
	06-06	11/16"-16h	11/16"-16h
	06-08	11/16"-16h	13/16"-16h
	08-08	13/16"-16h	13/16"-16h
	08-10	13/16"-16h	1"-14h
	10-10	1"-14h	1"-14h
	10-12	1"-14h	1 3/16"-12h
	12-12	1 3/16"-12h	1 3/16"-12h
	12-16	1 3/16"-12h	1 7/16"-12h
	16-16	1 7/16"-12h	1 7/16"-12h
	16-20	1 7/16"-12h	1 11/16"-12h
	20-20	1 11/16"-12h	1 11/16"-12h



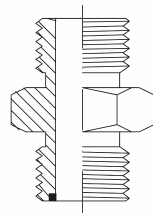
Macho doble recto

Ref: 908	Galga	R. ORFS	R. BSP
	04-04	9/16"-18h	1/4"-19h
	04-06	9/16"-18h	3/8"-19h
	06-06	11/16"-16h	3/8"-19h
	06-08	11/16"-16h	1/2"-14h
	08-08	13/16"-16h	1/2"-14h
	08-12	13/16"-16h	3/4"-14h
	10-12	1"-14h	3/4"-14h
	12-12	1 3/16"-12h	3/4"-14h
	16-16	1 7/16"-12h	1"-11h



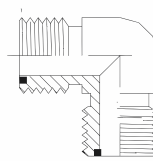
Macho doble recto

Ref: 905	Galga	R. ORFS	R. SAE
	04-04	9/16"-18h	7/16"-20h
	04-05	9/16"-18h	1/2"-20h
	04-06	9/16"-18h	9/16"-18h
	06-06	11/16"-16h	9/16"-18h
	06-08	11/16"-16h	3/4"-16h
	08-08	13/16"-16h	3/4"-16h
	08-10	13/16"-16h	7/8"-14h
	10-08	1"-14h	3/4"-16h
	10-10	1"-14h	7/8"-14h
	12-12	1 3/16"-12h	1 1/16"-12h
	12-16	1 3/16"-12h	1 5/16"-12h
	16-16	1 7/16"-12h	1 5/16"-12h
	16-20	1 7/16"-12h	1 5/8"-12h
	20-20	1 11/16"-12h	1 5/8"-12h



Macho Doble a 90°

Ref: 903	Galga	R. ORFS	R. ORFS
	04-04	9/16"-18h	9/16"-18h
	06-06	11/16"-16h	11/16"-16h
	08-08	13/16"-16h	13/16"-16h
	10-10	1"-14h	1"-14h
	12-12	1 3/16"-12h	1 3/16"-12h
	16-16	1 7/16"-12h	1 7/16"-12h
	20-20	1 11/16"-12h	1 11/16"-12h



Añadir "AI" al final de la referencias para piezas en acero inoxidable.

ADAPTADORES ORFS

Macho Doble a 90° Orient. SAE

Ref: 906	Galga	R. ORFS	R. SAE
	04-04	9/16"-18h	7/16"-20h
	04-06	9/16"-18h	9/16"-18h
	06-04	11/16"-16h	7/16"-20h
	06-06	11/16"-16h	9/16"-18h
	06-08	11/16"-16h	3/4"-16h
	08-06	13/16"-16h	9/16"-18h
	08-08	13/16"-16h	3/4"-16h
	08-10	13/16"-16h	7/8"-14h
	10-08	1"-14h	3/4"-16h
	10-10	1"-14h	7/8"-14h
	10-12	1"-14h	1 1/16"-12h
	12-10	1 3/16"-12h	7/8"-14h
	12-12	1 3/16"-12h	1 1/16"-12h
	12-16	1 3/16"-12h	1 5/16"-12h
16-12	1 7/16"-12h	1 1/16"-12h	
16-16	1 7/16"-12h	1 5/16"-12h	

Macho Doble a 90° Orient. BSP

Ref: 915	Galga	R. ORFS	R. BSP
	04-04	9/16"-18h	1/4"-19h
	06-04	11/16"-16h	1/4"-19h
	06-06	11/16"-16h	3/8"-19h
	08-06	13/16"-16h	3/8"-19h
	08-08	13/16"-16h	1/2"-14h
	10-08	1"-14h	1/2"-14h
	12-12	1 3/16"-12h	3/4"-14h
	16-12	1 7/16"-12h	3/4"-14h
	16-16	1 7/16"-12h	1"-11h

Macho - T.G. a 90°

Ref: 912	Galga	R. ORFS	R. ORFS
	04-04	9/16"-18h	9/16"-18h
	06-06	11/16"-16h	11/16"-16h
	08-08	13/16"-16h	13/16"-16h
	10-10	1"-14h	1"-14h
	12-12	1 3/16"-12h	1 3/16"-12h
	16-16	1 7/16"-12h	1 7/16"-12h
	20-20	1 11/16"-12h	1 11/16"-12h

Macho Doble a 45° Orient. BSP

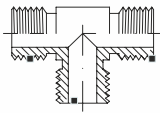
Ref: 911	Galga	R. ORFS	R. BSP
	04-04	9/16"-18h	1/4"-19h
	06-04	11/16"-16h	1/4"-19h
	06-06	11/16"-16h	3/8"-19h
	06-08	11/16"-16h	1/2"-14h
	10-08	1"-14h	1/2"-14h
	12-12	1 3/16"-12h	3/4"-14h
	12-16	1 3/16"-12h	1"-11h
	16-16	1 7/16"-12h	1"-11h

Macho Doble a 45° Orient. SAE

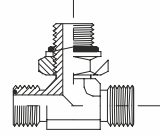
Ref: 913	Galga	R. ORFS	R. SAE
	04-04	9/16"-18h	7/16"-20h
	04-06	9/16"-18h	9/16"-18h
	06-04	11/16"-16h	7/16"-20h
	06-06	11/16"-16h	9/16"-18h
	06-08	11/16"-16h	3/4"-16h
	08-06	13/16"-16h	9/16"-18h
	08-08	13/16"-16h	3/4"-16h
	08-10	13/16"-16h	7/8"-14h
	10-08	1"-14h	3/4"-16h
	10-10	1"-14h	7/8"-14h
	10-12	1"-14h	1 1/16"-12h
	12-10	1 3/16"-12h	7/8"-14h
	12-12	1 3/16"-12h	1 1/16"-12h
	12-16	1 3/16"-12h	1 5/16"-12h
	16-12	1 7/16"-12h	1 1/16"-12h
	16-16	1 7/16"-12h	1 5/16"-12h
16-20	1 7/16"-12h	1 5/8"-12h	

ADAPTADORES ORFS

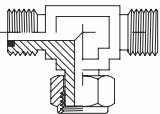
"T" Macho ORFS

Ref: 904	Galga	R. ORFS
	04-04	9/16"-18h
	06-06	11/16"-16h
	08-08	13/16"-16h
	10-10	1"-14h
	12-12	1 3/16"-12h
	16-16	1 7/16"-12h
	20-20	1 11/16"-12h

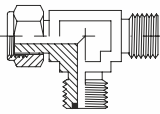
"T" Macho ORFS X Orient. SAE

Ref: 914	Galga	R. ORFS	R. SAE
	04-04	9/16"-18h	7/16"-20h
	06-06	11/16"-16h	9/16"-18h
	08-08	13/16"-16h	3/4"-16h
	10-10	1"-14h	7/8"-14h
	12-12	1 3/16"-12h	1 1/16"-12h
	16-16	1 7/16"-12h	1 5/16"-12h
	20-20	1 11/16"-12h	1 5/8"-12h

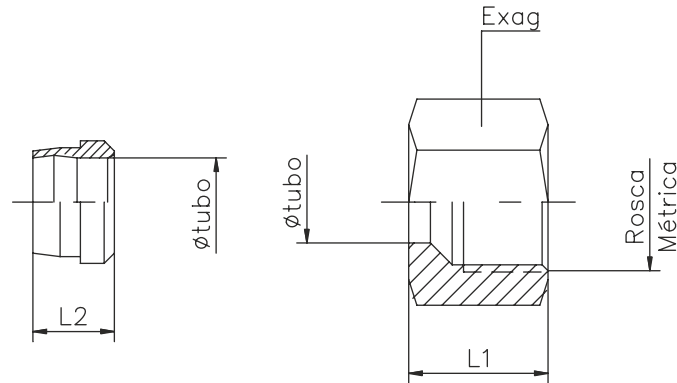
"T" Tuerca Loca Central

Ref: 917	Galga	R. ORFS
	04-04	9/16"-18h
	06-06	11/16"-16h
	08-08	13/16"-16h
	10-10	1"-14h
	12-12	1 3/16"-12h
	16-16	1 7/16"-12h
	20-20	1 11/16"-12h

T" Tuerca Loca Lateral

Ref: 916	Galga	R. ORFS
	04-04	9/16"-18h
	06-06	11/16"-16h
	08-08	13/16"-16h
	10-10	1"-14h
	12-12	1 3/16"-12h
	16-16	1 7/16"-12h
	20-20	1 11/16"-12h

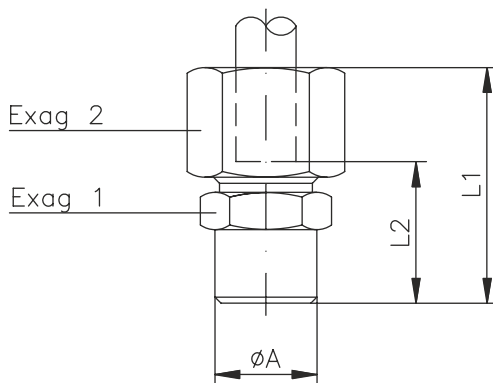
ADAPTADORES DIN 2353



1. Tuerca y anillo de corte

Serie	Bar	Ø Tubo	Métrica	L1	L2	Exag	Ref. Tuerca	Ref. Anillo
L	315	6	12x1,5	14,5	9,5	14	039842	028710
		8	14x1,5	14,5	9,5	17	039843	028711
		10	16x1,5	15,5	10	19	039844	028712
		12	18x1,5	15,5	10	22	039845	028713
		15	22x1,5	17	10	27	039846	028714
		18	26x1,5	18	9,5	32	039847	028715
	160	22	30x2	20	11	36	039848	028716
		28	36x2	21	12	41	039849	028717
		35	45x2	24	12,5	50	039850	028718
		42	52x2	24	13	60	039851	028719
S	630	6	14x1,5	16,5	8,5	17	039852	028710
		8	16x1,5	16,5	9,5	19	039853	028711
		10	18x1,5	17,5	10	22	039854	028712
		12	20x1,5	17,5	10	24	039855	028713
		14	22x1,5	20,5	10	27	039856	028720
	400	16	24x1,5	20,5	10,5	30	039857	028721
		20	30x2	24	12,5	36	039858	028722
		25	36x2	27	12,5	46	039859	028723
		30	42x2	29	13	50	039860	028724
	315	38	52x2	32,5	14	60	039861	028725

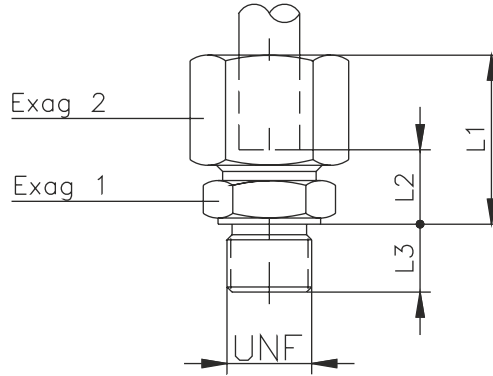
ADAPTADORES DIN 2353



2. Racor recto para soldar

Serie	Bar	Ø Tubo	Ø A	L1	L2	Exag 1	Exag 2	Referencia
L	315	6	10	29	14	12	14	039498
		8	12	31	16	14	17	039499
		10	14	33	18	17	19	039500
		12	16	33	18	19	22	039501
		15	19	37	22	22	27	039502
		18	22	40	23,5	27	32	039503
	160	22	27	45	28,5	32	36	039504
		28	32	47	30,5	41	41	039505
		35	40	54	32,5	46	50	039506
		42	46	58	35	55	60	039507
S	630	6	11	34	19	14	17	039508
		8	13	36	21	17	19	039509
		10	15	39	22,5	19	22	039510
		12	17	41	24,5	22	24	039511
		14	19	45	27	24	27	039512
	400	16	21	45	26,5	27	30	039513
		20	26	51	29,5	32	36	039514
		25	31	56	32	41	46	039515
		30	36	63	35,5	46	50	039516
	315	38	44	69	38	55	60	039517

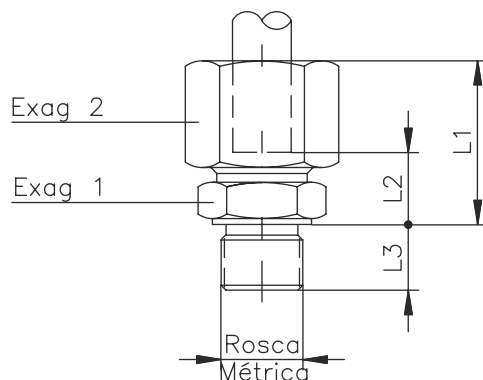
ADAPTADORES DIN 2353



3. Racor recto, rosca UNF

Serie	Bar	Ø Tubo	Rosca UNF	L1	L2	L3	Exag 1	Exag 2	Referencia
L	315	8	7/16"-20	34	19	9	17	17	100924
		10	7/16"-20	35	20	9	17	19	100925
		12	9/16"-18	36	21	10	19	22	100907
		12	3/4"-16	39	24	11	24	22	100926
		12	7/8"-14	41,7	27	12,7	27	22	100927
		15	3/4"-16	40	25	11	24	27	100908
		18	3/4"16	42	25,5	11	27	32	100909
	18	7/8"-14	43,7	27,5	12,7	27	32	100928	
	160	22	7/8"-14	45,7	29,5	12,7	32	36	100929
		22	1 1/16"-12	48	31,5	15	32	36	100910
		22	1 5/16"-12	49	32,5	15	41	36	100930
		28	1 1/16"-12	49	32,5	15	41	41	100931
		28	1 5/16"-12	49	32,5	15	41	41	100911
		35	1 5/16"-12	54	32,5	15	46	50	100932
35		1 5/8"-12	54	32,5	15	50	50	100912	
S	630	8	7/16"-20	39	24	9	17	19	100934
		10	9/16"-18	41	24,5	10	19	22	100916
		12	9/16"-18	41	24,5	10	22	24	100917
		12	3/4"-16	45	28,5	11	24	24	100935
	400	16	3/4"-16	45	26,5	11	24	30	100919
		16	7/8"-14	49,7	31,5	12,7	27	30	100936
		20	3/4"-16	53	31,5	11	32	36	100937
		20	7/8"-14	54,7	33,5	12,7	32	36	100938
		20	1 1/16"-12	57	35,5	15	32	36	100920
		25	1 1/16"-12	62	38	15	36	46	100939
		25	1 5/16"-12	62	38	15	41	46	100921
		30	1 5/16"-12	65	38,5	15	46	50	100940
		30	1 5/8"-12	65	38,5	15	50	50	100922
315	38	1 5/8"-12	72	41	15	55	60	100941	

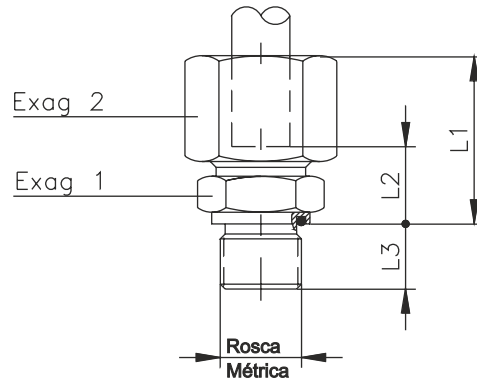
ADAPTADORES DIN 2353



4. Racor recto, rosca métrica cilíndrica

Serie	Bar	Ø Tubo	Rosca métrica	L1	L2	L3	Exag 1	Exag 2	Referencia
L	315	6	10 x 1	23	8,5	8	14	14	039116
		8	12 x 1,5	25	10	12	17	17	039118
		10	14 x 1,5	26	11	12	19	19	039119
		12	16 x 1,5	27	12,5	12	22	22	039120
		15	18 x 1,5	29	14	14	24	27	039122
		18	22 x 1,5	31	14,5	14	27	32	039123
	160	22	26 x 1,5	33	16,5	16	32	36	039124
		28	33 x 2	34	17,5	18	41	41	039125
		35	42 x 2	39	17,5	20	50	50	039126
		42	48 x 2	42	19	22	55	60	039127
S	630	6	12 x 1,5	28	13	12	17	17	039128
		8	14 x 1,5	30	15	12	19	19	039129
		10	16 x 1,5	31	15	12	22	22	039130
		12	18 x 1,5	33	17	12	24	24	039131
		14	20 x 1,5	37	19	14	27	27	039132
	400	16	22 x 1,5	37	18,5	14	27	30	039133
		20	27 x 2	42	20,5	16	32	36	039134
		25	33 x 2	47	23	18	41	46	039135
	250	30	42 x 2	50	23,5	20	50	50	039136
		38	48 x 2	57	26	22	55	60	039137

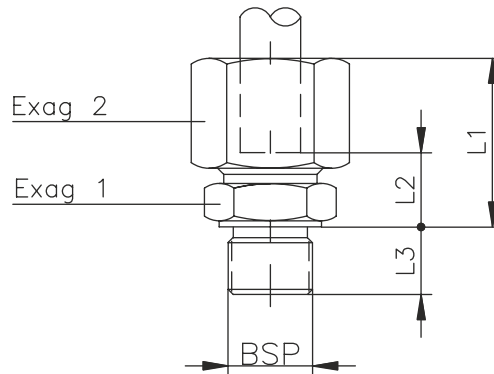
ADAPTADORES DIN 2353



5. Racor recto con junta tórica, rosca métrica cilíndrica

Serie	Bar	Ø Tubo	Rosca métrica	L1	L2	L3	Exag 1	Exag 2	Referencia
L	315	6	10 x 1	23	8,5	8	14	14	039161
		8	12 x 1,5	25	10	12	17	17	039162
		10	14 x 1,5	26	10,5	12	19	19	039163
		12	16 x 1,5	27	12	12	22	22	039164
		15	18 x 1,5	29	14	14	24	27	039165
		18	22 x 1,5	31	14,5	14	27	32	039166
	160	22	26 x 1,5	33	16,5	16	32	36	039167
		28	33 x 2	34	17,5	18	41	41	039168
		35	42 x 2	39	17,5	20	50	50	039169
		42	48 x 2	40	19	22	55	60	039170
S	630	6	12 x 1,5	28	13	12	17	17	039171
		8	14 x 1,5	30	15	12	19	19	039172
		10	16 x 1,5	31	15	12	22	22	039173
		12	18 x 1,5	33	17	12	24	24	039174
		14	20 x 1,5	37	19	14	27	27	039175
	400	16	22 x 1,5	37	18,5	14	27	30	039176
		20	27 x 2	42	20,5	16	32	36	039177
		25	33 x 2	47	23	18	41	46	039178
		30	42 x 2	50	23,5	20	50	50	039179
		315	38	48 x 2	57	26	22	55	60

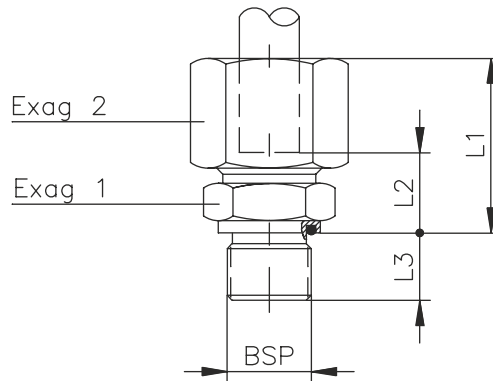
ADAPTADORES DIN 2353



6. Racor recto, rosca GAS cilíndrica

Serie	Bar	Ø Tubo	Rosca BSP	L1	L2	L3	Exag 1	Exag 2	Referencia
L	315	6	1/8"	23	8,5	8	14	14	039086
		8	1/4"	25	10	12	19	17	039088
		10	1/4"	26	11	12	19	19	039090
		12	3/8"	27	12,5	12	22	22	039093
		15	1/2"	29	14	14	27	27	039095
		18	1/2"	31	14,5	14	27	32	039096
	160	22	3/4"	33	16,5	16	32	36	039097
		28	1"	34	17,5	18	41	41	039098
		35	1 1/4"	39	17,5	20	50	50	039099
		42	1 1/2"	42	19	22	55	60	039100
S	630	6	1/4"	28	13	12	19	17	039101
		8	1/4"	30	15	12	19	19	039102
		10	3/8"	31	15	12	22	22	039103
		12	3/8"	33	17	12	22	24	039104
		14	1/2"	37	19	14	27	27	039106
	400	16	1/2"	37	18,5	14	27	30	039107
		20	3/4"	42	20,5	16	32	36	039108
		25	1"	47	23	18	41	46	039109
	250	30	1 1/4"	50	23,5	20	50	50	039110
		38	1 1/2"	57	26	22	55	60	039111

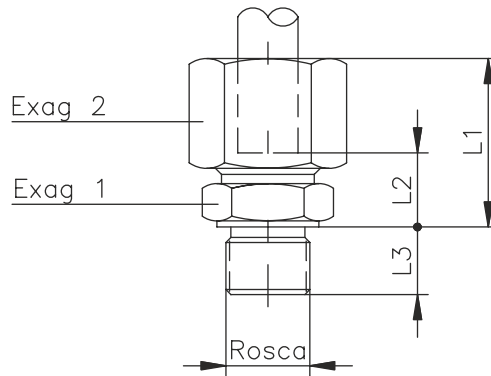
ADAPTADORES DIN 2353



7. Racor recto con junta tórica, rosca GAS cilíndrica

Serie	Bar	Ø Tubo	Rosca BSP	L1	L2	L3	Exag 1	Exag 2	Referencia	
L	315	6	1/8"	23	8,5	8	14	14	039138	
		8	1/4"	25	10	12	19	17	039139	
		10	1/4"	26	10,5	12	19	19	039140	
		12	3/8"	27	12	12	22	22	039142	
		15	1/2"	29	14	14	27	27	039143	
		18	1/2"	31	14,5	14	27	32	039144	
	S	630	22	3/4"	33	16,5	16	32	36	039145
			28	1"	34	17,5	18	41	41	039146
			35	1 1/4"	39	17,5	20	50	50	039147
			42	1 1/2"	40	19	22	55	60	039148
S	400		6	1/4"	28	13	12	19	17	039149
			8	1/4"	30	15	12	19	19	039150
			10	3/8"	31	15	12	22	22	039151
			12	3/8"	33	17	12	22	24	039152
			14	1/2"	37	19	14	27	27	039153
	315		16	1/2"	37	18,5	14	27	30	039154
		20	3/4"	42	20,5	16	32	36	039155	
		25	1"	47	23	18	41	46	039156	
		30	1 1/4"	50	23,5	20	50	50	039157	
		38	1 1/2"	57	26	22	55	60	039158	

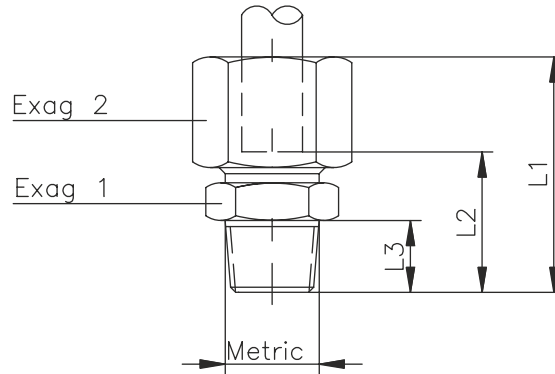
ADAPTADORES DIN 2353



8. Racor recto, rosca GAS / métrica cilíndrica especial

Serie	Bar	Ø Tubo	Rosca gas/mét.	L1	L2	Exag 1	Exag 2	Referencia
L	315	6	1/4"	10	12	19	14	039087
		8	1/8"	24,5	9,5	14	17	100325
		8	3/8"	11,5	12	22	17	039089
		8	1/2"	12	14	27	17	100327
		10	1/8"	25,5	10,5	17	19	100328
		10	3/8"	12,5	12	22	19	039091
		10	1/2"	13	14	27	19	028099
		12	1/4"	12	12	19	22	039092
		12	1/2"	13	14	27	22	039094
		15	3/8"	13,5	12	24	27	028676
		18	3/4"	14,5	16	32	32	100334
		22	1/2"	16,5	14	32	36	100349
		28	3/4"	17,5	16	41	41	100351
35	1"	17,5	18	46	50	100352		
S	630	10	1/4"	14,5	12	19	22	100342
		10	1/2"	17,5	14	27	22	100343
		12	1/4"	16,5	12	22	24	100344
		12	1/2"	-	-	-	-	100335
		14	3/8"	18,5	12	24	27	100336
	400	16	3/8"	18	12	27	30	100337
		16	3/4"	20,5	16	32	30	100345
		20	1/2"	20,5	14	32	36	100338
		25	3/4"	23	16	41	46	100339
250	30	1"	23,5	18	46	50	100340	
	38	1 1/4"	26	20	55	60	100347	
L	315	10	M16 x 1,5	12	12	22	19	100426
		10	M18 x 1,5	12,5	12	24	19	025288
		10	M22 x 1,5	14	14	27	19	028693
		12	M14 x 1,5	12,5	12	19	22	100429
		12	M18 x 1,5	12,5	12	24	22	039121
		12	M22 x 1,5	14	14	27	22	028696
		15	M16 x 1,5	14	12	24	27	100432
		15	M22 x 1,5	15	14	27	27	028125
		18	M18 x 1,5	14	12	27	32	029644
		22	M22 x 1,5	-	-	-	-	100435
S	400	16	M18 x 1,5	18	12	27	30	100437

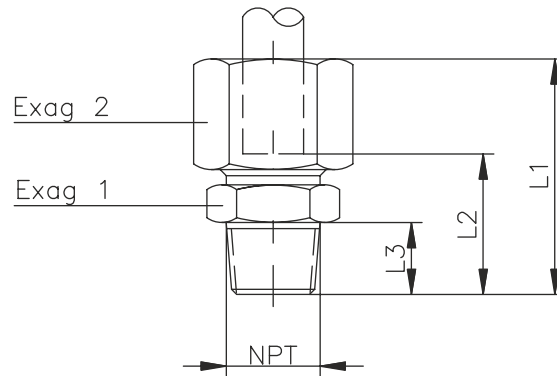
ADAPTADORES DIN 2353



9. Racor recto, rosca métrica cónica

Serie	Bar	Ø Tubo	Rosca métrica	L1	L2	L3	Exag 1	Exag 2	Referencia
L	315	6	10 x 1	33	17	10	22	22	101904
		8	12 x 1,5	37	20	12	24	27	101905
		10	14 x 1,5	38	21	12	27	32	101906
		12	16 x 1,5	39	22	12	32	36	101907
		15	18 x 1,5	41	23	12	41	41	101908
		18	22 x 1,5	45	25,5	14	50	50	101909
S	630	6	12 x 1,5	40	24	12	17	17	101914
		8	14 x 1,5	42	25	12	17	19	101915
		10	16 x 1,5	43	24,5	12	19	22	101916
		12	18 x 1,5	45	26,5	12	22	24	101917
		14	20 x 1,5	51	30	14	24	27	101918
	400	16	22 x 1,5	51	31,5	14	27	30	101919

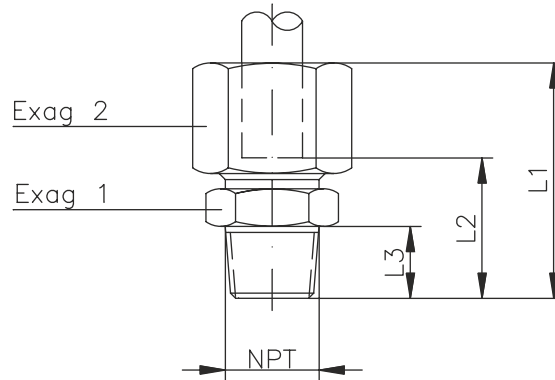
ADAPTADORES DIN 2353



10. Racor recto, rosca NPT

Serie	Bar	Ø Tubo	Rosca NPT	L1	L2	L3	Exag 1	Exag 2	Referencia
L	315	6	1/8"	33	19	10	12	14	039055
		8	1/4"	40	23	15	17	17	039057
		10	1/4"	41	24	15	17	19	039058
		12	3/8"	42	25	15	19	22	039061
		15	1/2"	49	31	20	24	27	039063
		18	1/2"	51	31,5	20	27	32	039064
	160	22	3/4"	53	33,5	20	32	36	039065
		28	1"	59	39,5	25	41	41	039066
		35	1 1/4"	65	40,5	26	46	50	039067
		42	1 1/2"	68	42	26	55	60	039068
S	630	6	1/4"	43	27	15	17	17	039069
		8	1/4"	45	28	15	17	19	039070
		10	3/8"	46	27,5	15	19	22	039072
		12	3/8"	48	19,5	15	22	24	039074
		14	1/2"	57	36	20	24	27	039076
	400	16	1/2"	57	37,5	20	27	30	039077
		20	3/4"	62	37,5	20	32	36	039078
		25	1"	72	43	25	41	46	039079
		30	1 1/4"	76	45,5	26	46	50	039080
		315	38	1 1/2"	83	48	26	55	60

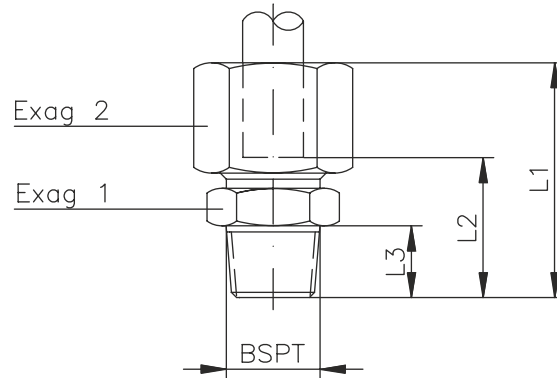
ADAPTADORES DIN 2353



11. Racor recto, rosca NPT especial

Serie	Bar	Ø Tubo	Rosca NPT	L1	L2	L3	Exag 1	Exag 2	Referencia
L	315	6	1/4"	32	23	15	17	14	039056
		8	1/8"	-	-	-	-	-	101825
		8	3/8"	-	-	-	-	-	101826
		10	1/8"	-	-	-	-	-	101828
		10	3/8"	42	25	15	19	19	039059
		10	1/2"	-	-	-	-	-	101830
		12	1/4"	42	25	15	19	22	039060
		12	1/2"	47	30	20	22	22	039062
		15	3/8"	-	-	-	-	-	101833
		18	3/4"	-	-	-	-	-	101834
S	630	12	1/2	47,5	34,5	20	22	24	039075
		14	3/8"	-	-	-	-	-	101836
		16	3/8"	-	-	-	-	-	101837
		20	1/2"	-	-	-	-	-	101838
		25	3/4"	-	-	-	-	-	101839
		30	1"	-	-	-	-	-	101840

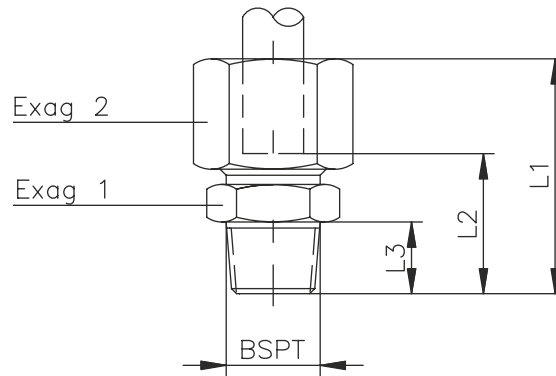
ADAPTADORES DIN 2353



12. Racor recto, rosca GAS cónica

Serie	Bar	Ø Tubo	Rosca BSPT	L1	L2	L3	Exag 1	Exag 2	Referencia
L	315	6	1/4"	33	17	10	12	14	039032
		8	1/4"	38	21	13	17	17	039033
		10	1/4"	39	22	13	17	19	039035
		12	3/8"	40	23	13	19	22	039038
		15	1/2"	45	27	16	24	27	028116
		18	1/2"	47	27,5	16	27	32	101709
	160	22	3/4"	51	31,5	18	32	36	101710
		28	1"	54	34,5	20	41	41	101711
		35	1 1/4"	50	35,5	21	46	50	101712
		42	1 1/2"	64	38	22	55	60	101713
S	630	6	1/4"	41	25	13	17	17	101714
		8	1/4"	43	26	13	17	19	101715
		10	3/8"	44	25,5	13	19	22	101716
		12	3/8"	46	27,5	13	22	24	101717
		14	1/2"	53	32	16	24	27	101718
	400	16	1/2"	53	33,5	16	27	30	101719
		20	3/4"	60	35,5	18	32	36	101720
		25	1"	67	38	20	41	46	101721
		30	1 1/4"	71	40,5	21	46	50	101722
		315	38	1 1/2"	79	44	22	55	60

ADAPTADORES DIN 2353



13. Racor recto, rosca GAS cónica especial

Serie	Bar	Ø Tubo	Rosca BSPT	L1	L2	L3	Exag 1	Exag 2	Referencia
		8	1/8"	-	-	-	-	-	101725
		8	3/8"	39	22	13	19	17	039034
		8	1/2"	-	-	-	-	-	101727
		10	1/8"	-	-	-	-	-	101728
		10	3/8"	40	23	13	19	19	039036
		10	1/2"	-	-	-	-	-	101730
		12	1/4"	40	23	13	19	22	039037
		12	1/2"	43	26	16	22	22	039039
		15	3/8"	-	-	-	-	-	101733
		18	3/4"	-	-	-	-	-	101734
S	630	12	1/2"	49	30,5	16	22	24	101735
		14	3/8"	-	-	-	-	-	101736
		16	3/8"	-	-	-	-	-	101737
		20	1/2"	-	-	-	-	-	101738
		25	3/4"	-	-	-	-	-	101739
		30	1"	-	-	-	-	-	101740

ADAPTADORES DIN 2353

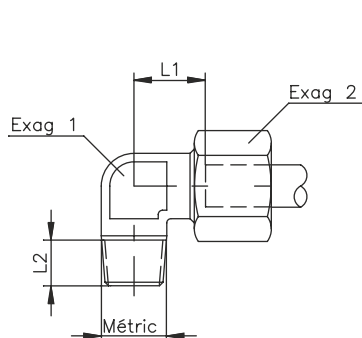


FIG. 1

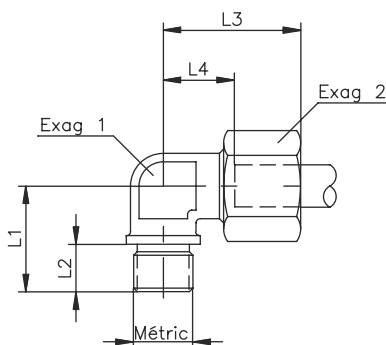


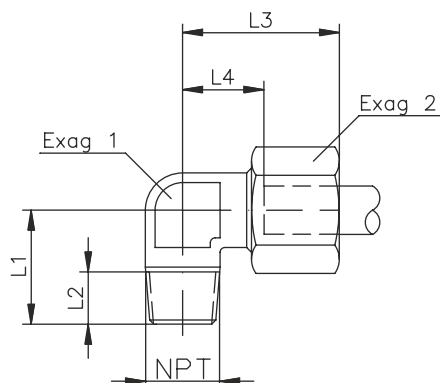
FIG. 2

14. Racor en codo, rosca métrica cónica. Figura 1

Serie	Bar	Ø Tubo	Rosca métrica	L1	L2	L3	L4	Exag 1	Exag 2	Referencia
L	315	6	10 x 1	20	8	27	12	12	14	039241
		8	12 x 1,5	26	12	29	14	12	17	039242
		10	14 x 1,5	27	12	30	15	14	19	039243
		12	16 x 1,5	28	12	32	17	17	22	039244
		15	18 x 1,5	34	14	36	21	19	27	039245
		18	22 x 1,5	36	14	40	23,5	24	32	039246
S	630	6	12 x 1,5	26	12	31	16	12	17	039247
		8	14 x 1,5	27	12	32	17	14	19	039248
		10	16 x 1,5	28	12	34	17,5	17	22	039249
		12	18 x 1,5	31	12	38	21,5	17	24	039250
		14	20 x 1,5	32	14	40	22	19	27	039251
	400	16	22 x 1,5	32	14	43	24,5	24	30	039252

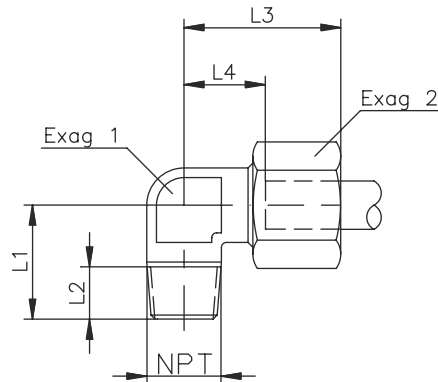
15. Racor en codo, rosca métrica cilíndrica. Figura 2

Serie	Bar	Ø Tubo	Rosca métrica	L1	L2	L3	L4	Exag 1	Exag 2	Referencia
L	160	22	26 x 1,5	42	16	44	27,5	27	36	039261
		28	33 x 2	48	18	47	30,5	36	41	039262
		35	42 x 2	54	20	56	34,5	41	50	039263
		42	48 x 2	61	22	63	40	50	60	039264
S	400	20	27 x 2	42	16	48	26,5	27	36	039265
		25	33 x 2	48	18	54	31	36	46	039266
	250	30	42 x 2	54	20	62	35,5	41	50	039267
		38	48 x 2	61	22	72	41	50	60	039268

ADAPTADORES DIN 2353

16. Racor en codo, rosca NPT

Serie	Bar	Ø Tubo	Rosca NPT	L1	L2	L3	L4	Exag 1	Exag 2	Referencia
L	315	6	1/8"	20	8	27	12	12	14	039197
		8	1/4"	26	12	29	14	12	17	039198
		10	1/4"	27	12	30	15	14	19	039199
		12	3/8"	28	12	32	17	17	22	039201
		15	1/2"	34	14	36	21	19	27	039202
		18	1/2"	36	14	40	23,5	24	32	039203
	160	22	3/4"	42	16	44	27,5	27	36	039204
		28	1"	48	18	47	30,5	36	41	039205
		35	1 1/4"	54	20	56	34,5	41	50	039206
		42	1 1/2"	61	22	63	40	50	60	039207
S	630	6	1/4"	26	12	31	16	12	17	039208
		8	1/4"	27	12	32	17	14	19	039209
		10	3/8"	28	12	34	17,5	17	22	039210
		12	3/8"	31	12	38	21,5	17	24	039211
		14	1/2"	32	14	40	22	19	27	039212
	400	16	1/2"	32	14	43	24,5	24	30	039213
		20	3/4"	42	16	48	26,5	27	36	039214
		25	1"	42	18	54	30	36	46	039215
		30	1 1/4"	54	20	62	35,5	41	50	039216
	315	38	1 1/2"	61	22	72	41	50	60	039217

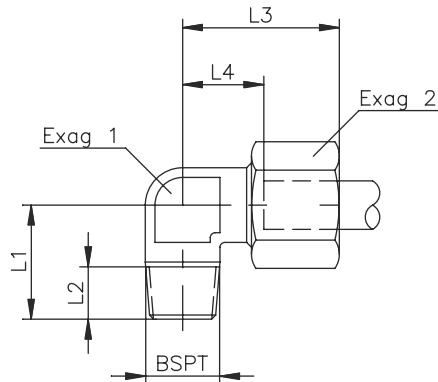
ADAPTADORES DIN 2353



17. Racor en codo, rosca NPT especial

Serie	Bar	Ø Tubo	Rosca NPT	L1	L2	L3	L4	Exag 1	Exag 2	Referencia
L	315	6	1/4"	-	-	-	-	-	-	102124
		8	1/8"	-	-	-	-	-	-	102125
		8	3/8"	-	12	-	17,5	17	17	102126
		8	1/2"	-	-	-	-	-	-	102127
		10	1/8"	-	-	-	-	-	-	102128
		10	3/8"	-	12	-	17,5	19	17	102129
		10	1/2"	-	-	-	-	-	-	102130
		12	1/4"	-	-	-	-	-	-	039200
		12	1/2"	-	-	-	-	-	-	102132
		15	3/8"	-	-	-	-	-	-	102133
18	3/4"	-	-	-	-	-	-	102134		
S	630	12	1/2"	-	14	-	21,5	24	19	102135
		14	3/8"	-	-	-	-	-	-	102136
	400	16	3/8"	-	-	-	-	-	-	102137
		20	1/2"	-	-	-	-	-	-	102138
		25	3/4"	-	-	-	-	-	-	102139
		30	1"	-	-	-	-	-	102140	

ADAPTADORES DIN 2353



18. Racor en codo, rosca GAS cónica

Serie	Bar	Ø Tubo	Rosca BSPT	L1	L2	L3	L3	Exag 1	Exag 2	Referencia	
L	315	6	1/8"	20	8	27	12	12	14	039222	
		8	1/4"	26	12	29	14	12	17	039224	
		10	1/4"	27	12	30	15	14	19	039225	
		12	3/8"	28	12	32	17	17	22	039228	
		15	1/2"	34	14	36	21	19	27	039229	
		18	1/2"	36	14	40	23,5	24	32	039230	
	160	22	3/4"	-	-	-	-	-	-	102010	
S	630	6	1/4"	26	12	31	16	12	17	039231	
		8	1/4"	27	12	32	17	14	19	039232	
		10	3/8"	28	12	34	17,5	17	22	039233	
		12	3/8"	31	12	38	21,5	17	24	039234	
		14	1/2"	32	14	40	22	19	27	039235	
	400	16	1/2"	32	14	43	24,5	24	30	039236	
		20	3/4"	-	-	-	-	-	-	-	102020
		25	1"	-	-	-	-	-	-	-	102021
		30	1 1/4"	-	-	-	-	-	-	102022	

ADAPTADORES DIN 2353

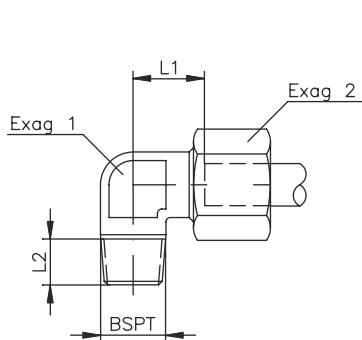


FIG. 3

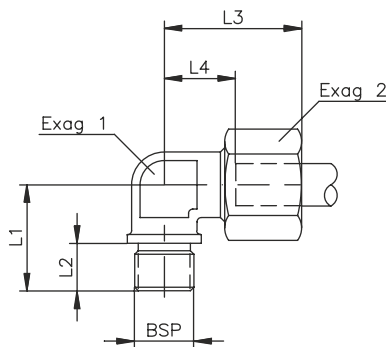


FIG. 4

19. Racor en codo, rosca Gas cónica especial. Figura 3

Serie	Bar	Ø Tubo	Rosca BSPT	L1	L2	Exag 1	Exag 2	Referencia
L	315	6	1/4"	15,5	12	12	14	039223
		8	1/8"	15,5	12	12	17	102025
		8	3/8"	17,5	12	17	17	102026
		8	1/2"	-	-	-	-	102027
		10	1/8"	-	-	-	-	102028
		10	3/8"	17,5	12	17	19	039226
		10	1/2"	-	-	-	-	102030
		12	1/4"	17,5	12	17	22	039227
		12	1/2"	21	14	19	22	102032
		15	3/8"	21	14	19	27	102033
S	630	12	1/2"	21,5	14	19	24	102035
		14	3/8"	-	-	-	-	102036
		16	3/8"	-	-	-	-	102037
		20	1/2"	-	-	-	-	102038
		25	3/4"	-	-	-	-	102039
		30	1"	-	-	-	-	102040

20. Racor en codo, rosca Gas cilíndrica. Figura 4

Serie	Bar	Ø Tubo	Rosca BSP	L1	L2	L3	L4	Exag 1	Exag 2	Ref.
L	160	22	3/4"	42	16	44	27,5	27	36	039253
		28	1"	48	18	47	30,5	36	41	039254
		35	1 1/4"	54	20	56	34,5	41	50	039255
		42	1 1/2"	61	22	63	40	50	60	039256
S	400	20	3/4"	42	16	48	26,5	27	36	039257
		25	1"	48	18	54	31	36	46	039258
	250	30	1 1/4"	54	20	62	36,5	41	50	039259
		38	1 1/2"	61	22	72	72	50	60	039260

ADAPTADORES DIN 2353

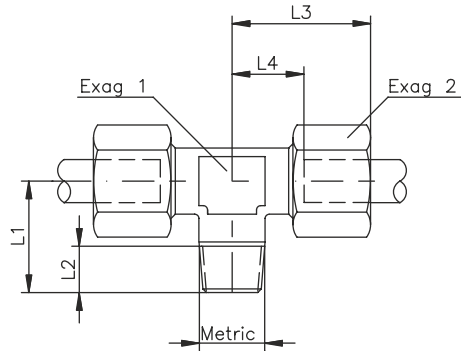


FIG. 5

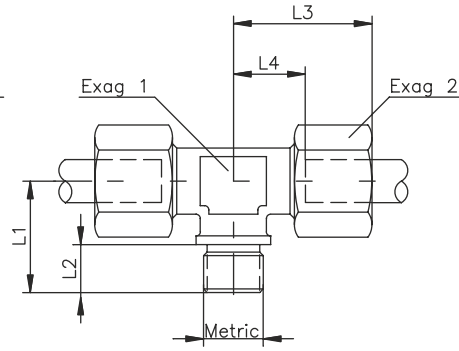


FIG. 6

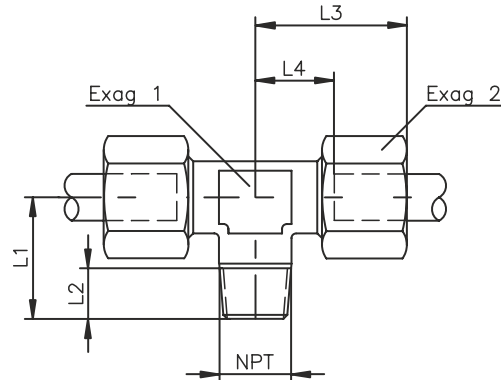
22. Racor en "T", rosca métrica cónica. Figura 5

Serie	Bar	Ø Tubo	Rosca métrica	L1	L2	L3	L4	Exag 1	Exag 2	Referencia
L	315	6	10 x 1	20	8	27	12	12	14	039290
		8	12 x 1,5	26	12	29	14	12	17	039291
		10	14 x 1,5	27	12	30	15	14	19	039292
		12	16 x 1,5	28	12	32	17	17	22	039293
		15	18 x 1,5	34	14	36	21	19	27	039294
		18	22 x 1,5	36	14	40	23,5	24	32	039295
S	630	6	12 x 1,5	28	12	31	16	12	17	039296
		8	14 x 1,5	27	12	32	17	14	19	039297
		10	16 x 1,5	28	12	34	17,5	17	22	039298
		12	18 x 1,5	31	12	38	21,5	17	24	039299
		14	20 x 1,5	32	14	40	22	19	27	039300
	400	16	22 x 1,5	32	14	43	24,5	24	30	039301

23. Racor en "T", rosca métrica cilíndrica. Figura 6

Serie	Bar	Ø Tubo	Rosca métrica	L1	L2	L3	L4	Exag 1	Exag 2	Referencia
L	160	22	26 x 1,5	42	16	44	27,5	27	36	039310
		28	33 x 2	48	18	47	30,5	36	41	039311
		35	42 x 2	54	20	56	34,5	41	50	039312
		42	48 x 2	61	22	63	40	50	60	039313
S	400	20	27 x 2	42	16	48	26,5	27	36	039314
		25	33 x 2	48	18	54	31	36	46	039315
	250	30	42 x 2	54	20	62	35,5	41	50	039316
		38	48 x 2	61	22	72	41	50	60	039317

ADAPTADORES DIN 2353



21. Racor en "T", rosca NPT.

Serie	Bar	Ø Tubo	Rosca NPT	L1	L2	L3	L4	Exag 1	Exag 2	Ref.
L	315	6	1/8"	20	8	27	12	12	14	102604
		8	1/4"	26	12	29	14	12	17	102605
		10	1/4"	27	12	30	15	14	19	102606
		12	3/8"	28	12	32	17	17	22	102607
		15	1/2"	34	14	36	21	19	27	102608
		18	1/2"	36	14	40	23,5	24	32	102609
	160	22	3/4"	42	16	44	27,5	27	36	102610
		28	1"	48	18	47	30,5	36	41	102611
		35	1 1/4"	54	20	56	34,5	41	50	102612
		42	1 1/2"	61	22	63	40	50	60	102613
S	630	6	1/4"	28	12	31	16	12	17	102614
		8	1/4"	27	12	32	17	14	19	102615
		10	3/8"	28	12	34	17,5	17	22	102616
		12	3/8"	31	12	38	21,5	17	24	102617
		14	1/2"	32	14	40	22	19	27	102618
	400	16	1/2"	32	14	43	24,5	24	30	102619
		20	3/4"	42	16	48	26,5	27	36	102620
		25	1"	48	18	54	30	36	46	102621
		30	1 1/4"	54	20	62	35,5	41	50	102622
		38	1 1/2"	61	22	72	41	50	60	102623

ADAPTADORES DIN 2353

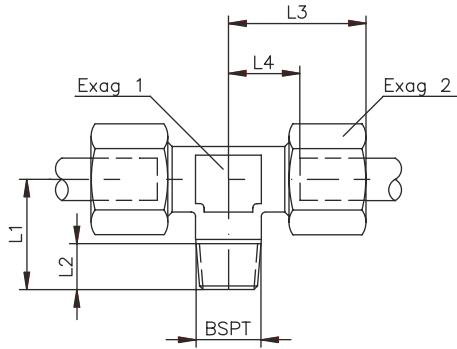


FIG. 7

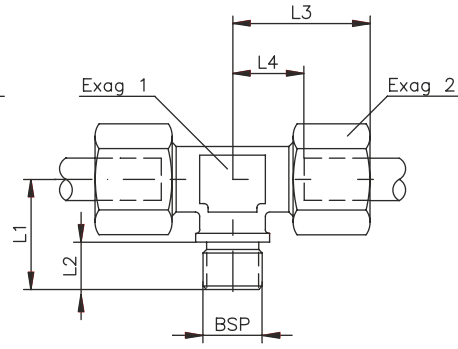


FIG. 8

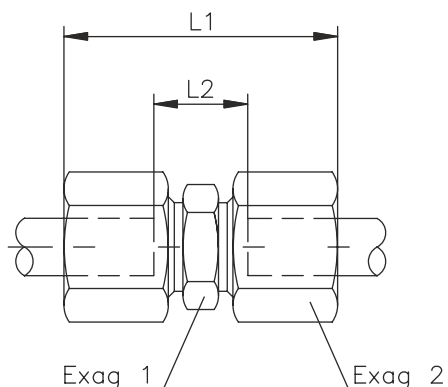
25. Racor en "T", rosca Gas cónica. Figura 7

Serie	Bar	Ø Tubo	Rosca BSPT	L1	L2	L3	L4	Exag 1	Exag 2	Ref.
L	315	6	1/8"	20	8	27	12	12	14	039273
		8	1/4"	26	12	29	14	12	17	039274
		10	1/4"	27	12	30	15	14	19	039275
		12	3/8"	28	12	32	17	17	22	039277
		15	1/2"	34	14	36	21	19	27	039278
		18	1/2"	36	14	40	23,5	24	32	039279
S	630	6	1/4"	28	12	31	16	12	17	039280
		8	1/4"	27	12	32	17	14	19	039281
		10	3/8"	28	12	34	17,5	17	22	039282
		12	3/8"	31	12	38	21,5	17	24	039283
		14	1/2"	32	14	40	22	19	27	039284
	400	16	1/2"	32	14	43	24,5	24	30	039285

26. Racor en "T", rosca Gas cilíndrica. Figura 8

Serie	Bar	Ø Tubo	Rosca BSP	L1	L2	L3	L4	Exag 1	Exag 2	Ref.
L	160	22	3/4"	42	16	44	27,5	27	36	039302
		28	1"	48	18	47	30,5	36	41	039303
		35	1 1/4"	54	20	56	34,5	41	50	039304
		42	1 1/2"	61	22	63	40	50	60	039305
S	400	20	3/4"	42	16	48	26,5	27	36	039306
		25	1"	48	18	54	31	36	46	039307
	250	30	1 1/4"	54	20	62	35,5	41	50	039308
		38	1 1/2"	61	22	72	41	50	60	039309

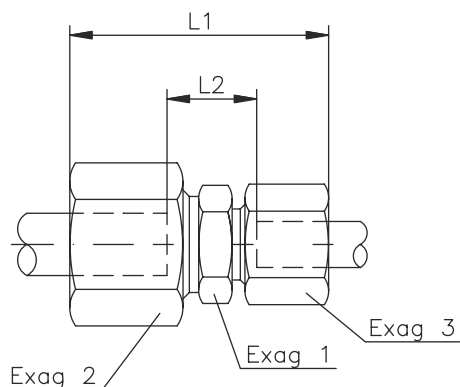
ADAPTADORES DIN 2353



24. Racor de unión recto

Serie	Bar	Ø Tubo	L1	L2	Exag 1	Exag 2	Referencia
L	315	6	39	10	12	14	039371
		8	40	11	14	17	039372
		10	42	13	17	19	039373
		12	43	14	19	22	039374
		15	46	16	24	27	039375
		18	48	16	27	32	028731
	160	22	52	20	32	36	028732
		28	54	21	41	41	028733
		35	63	20	46	50	028734
		42	66	21	55	60	028735
S	630	6	45	16	14	17	039376
		8	47	18	17	19	039377
		10	49	17	19	22	039378
		12	51	19	22	24	039379
		14	57	22	24	27	039380
	400	16	57	21	27	30	039381
		20	66	23	32	36	039382
		25	74	26	41	46	039383
		30	80	27	46	50	039384
	315	38	90	29	55	60	039385

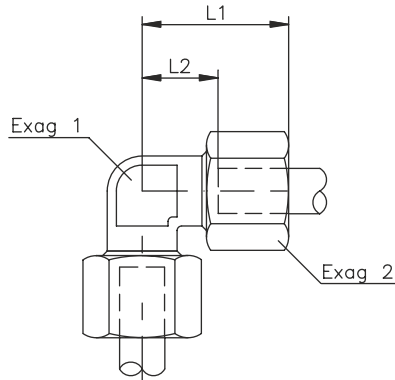
ADAPTADORES DIN 2353



27. Racor de unión recto, reducción.

Serie	Bar	Ø Tubo 1	Ø Tubo 2	L1	L2	Exag 1	Exag 2	Exag 3	Referencia	
L	315	8	6	39,5	11	14	17	14	104104	
		10	6	40,5	11,5	17	19	14	104105	
		10	8	41	11,5	17	19	17	104106	
		12	6	41	12,5	19	22	14	104107	
		12	8	41,5	12,5	19	22	17	104108	
		12	10	42,5	13,5	19	22	19	104109	
		15	10	44	14,5	24	27	19	104110	
		15	12	44,5	14,5	24	27	22	104111	
	18	10	45	15	27	32	19	104112		
	18	12	45,5	15	27	32	22	104113		
	18	15	47	16,5	27	32	27	104114		
	22	12	47,5	17	32	36	22	104115		
	160	22	15	49	18,5	32	36	27	104116	
		22	18	50	18	32	36	32	104117	
		28	18	51	19	41	41	32	104118	
		28	22	53	21	41	41	36	104119	
35		22	57,5	21	46	50	36	104120		
35		28	58,5	21	46	50	41	104121		
S		630	8	6	46	18	17	19	17	104122
			10	6	47	17,5	19	22	17	104123
	10		8	48	17,5	19	22	19	104124	
	12		6	48	18,5	22	24	17	104125	
	12		8	49	18,5	22	24	19	104126	
	12		10	50	18	22	24	22	104127	
	14		10	53	20,5	24	27	22	104128	
	14		12	54	20,5	24	27	24	104129	
	400	16	12	54	21	27	30	24	104130	
		16	14	57	22,5	27	30	27	104131	
		20	10	57,5	23	32	36	22	104132	
		20	12	58,5	23	32	36	24	104133	
		20	16	61,5	24	32	36	30	104134	
		25	16	65,5	27,5	41	46	30	104135	
25		20	70	25,5	41	46	36	104136		
30		20	73	28	46	50	36	104137		
30	25	77	28,5	46	50	46	104138			
315	38	30	85	30,5	55	60	50	104139		

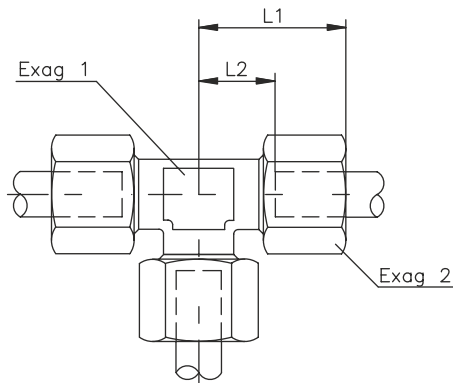
ADAPTADORES DIN 2353



28. Racor de unión en codo

Serie	Bar	Ø Tubo	L1	L2	Exag 1	Exag 2	Referencia
L	315	6	27	12	14	12	039390
		8	29	14	17	12	039391
		10	30	15	19	14	039392
		12	32	17	22	17	039393
		15	36	21	27	19	039394
		18	40	23,5	32	24	039395
	160	22	44	27,5	36	27	039396
		28	47	30,5	41	36	039397
		35	56	34,5	50	41	039398
		42	63	40	60	50	039399
S	630	6	31	16	17	12	039400
		8	32	17	19	14	039401
		10	34	17,5	22	17	039402
		12	38	21,5	24	17	039403
		14	40	22	27	19	039404
	400	16	43	24,5	30	24	039405
		20	48	26,5	36	27	039406
		25	54	30	46	36	039407
		30	62	35,5	50	41	039408
	315	38	72	41	60	50	039409

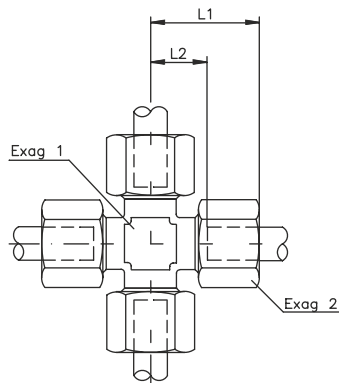
ADAPTADORES DIN 2353



29. Racor de unión en "T"

Serie	Bar	Ø Tubo	L1	L2	Exag 1	Exag 2	Referencia
L	315	6	27	12	12	14	039414
		8	29	14	12	17	039415
		10	30	15	14	19	039416
		12	32	17	17	22	039417
		15	36	21	19	27	039418
		18	40	23,5	24	32	039419
	160	22	44	27,5	27	36	039420
		28	47	30,5	36	41	039421
		35	56	34,5	41	50	039422
		42	63	40	50	60	039423
S	630	6	31	16	12	17	039424
		8	32	17	14	19	039425
		10	34	17,5	17	22	039426
		12	38	21,5	17	24	039427
		14	40	22	19	27	039428
	400	16	43	24,5	24	30	039429
		20	48	26,5	27	36	039430
		25	54	30	36	46	039431
		30	62	35,5	41	50	039432
	315	38	72	41	50	60	039433

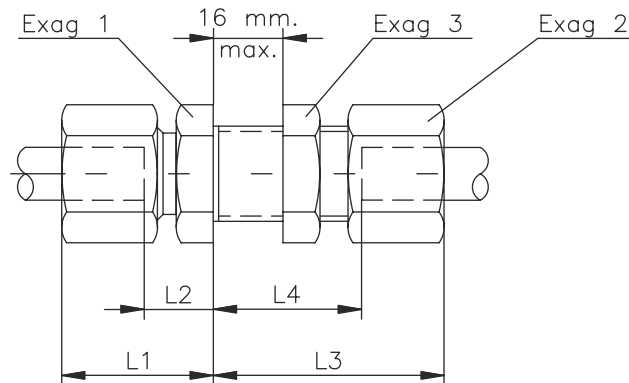
ADAPTADORES DIN 2353



30. Racor de unión en cruz

Serie	Bar	Ø Tubo	L1	L2	Exag 1	Exag 2	Referencia
L	315	6	27	12	12	14	039438
		8	29	14	12	17	039439
		10	30	15	14	19	039440
		12	32	17	17	22	039441
		15	36	21	19	27	039442
		18	40	23,5	24	32	039443
	160	22	44	27,5	27	36	039444
		28	47	30,5	36	41	039445
		35	56	34,5	41	50	039446
		42	63	40	50	60	039447
S	630	6	31	16	12	17	039448
		8	32	17	14	19	039449
		10	34	17,5	17	22	039450
		12	38	21,5	17	24	039451
		14	40	22	19	27	039452
	400	16	43	24,5	24	30	039453
		20	48	26,5	27	36	039454
		25	54	30	36	46	039455
		30	62	35,5	41	50	039456
	315	38	72	41	50	60	039457

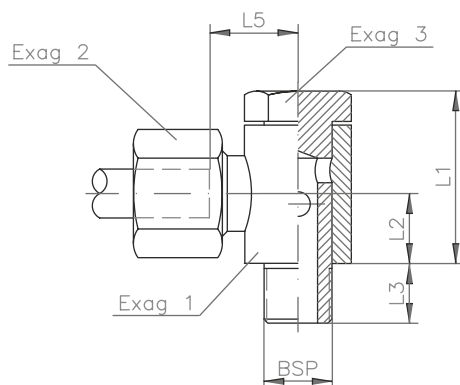
ADAPTADORES DIN 2353



31. Pasatabiques

Serie	Bar	Ø Tubo	L1	L2	L3	L4	Exag 1	Exag 2	Exag 3	Ref.
L	315	6	22	7	42	27	17	14	17	039458
		8	23	8	42	27	19	17	19	039459
		10	25	10	43	28	22	19	22	039460
		12	25	10	44	29	24	22	24	039461
		15	27	12	46	31	27	27	30	039462
		18	30	13,5	49	32,5	32	32	36	039463
	160	22	33	16,5	51	34,5	36	36	41	039464
		28	35	18,5	52	35,5	41	41	46	039465
		35	40	18,5	58	36,5	50	50	55	039466
		42	42	19	59	36	60	60	65	039467
S	630	6	27	12	44	29	19	17	19	039468
		8	28	13	44	29	22	19	22	039469
		10	31	14,5	46	29,5	24	22	24	039470
		12	31	14,5	47	30,5	27	24	27	039471
		14	35	17	50	32	30	27	30	039472
	400	16	35	16,5	50	31,5	32	30	32	039473
		20	39	17,5	55	33,5	41	36	41	039474
		25	44	20	59	35	46	46	46	039475
		30	48	21,5	64	37,5	50	50	50	039476
	315	38	53	22	68	37	65	60	65	039477

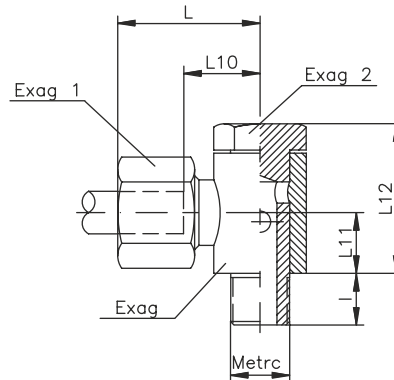
ADAPTADORES DIN 2353



32. Racor orientable rosca Gas cilíndrica

Serie	Bar	Ø Tubo	Rosca BSP	L1	L2	L3	L5	Exag 1	Exag 2	Exag 3	Ref.
L	315	6	1/8"	22	10	6	12	18	14	14	029052
		8	1/4"	30,5	15,5	12	14	22	17	19	029054
		10	1/4"	30,5	15,5	12	15	22	19	19	029055
		12	3/8"	38,5	18	12	17,5	30	22	24	029057
		15	1/2"	44,5	20	14	21	32	27	27	029058
		18	1/2"	44,5	20	14	20,5	32	32	27	029059
	160	22	3/4"	53	24	16	24,5	41	36	32	029060
		28	1"	64	29	18	29,5	52	41	41	101311
		35	1 1/4"	79	36	20	35,5	62	50	50	101312
		42	1 1/2"	90	41,5	22	40	70	60	55	101313
S	400	6	1/4"	30,5	15,5	12	16	22	17	19	029061
		8	1/4"	30,5	15,5	12	16	22	19	19	029062
		10	3/8"	38,5	18	12	18	30	22	24	029063
		12	3/8"	38,5	18	12	18	30	24	24	029064
		14	1/2"	45,5	21	14	24	36	27	27	029065
		16	1/2"	45,5	21	14	23,5	36	30	27	029066
	250	20	3/4"	61	28	16	28,5	41	36	32	029067
		25	1"	68	31	18	31	52	46	41	101321
		30	1 1/4"	79	36,5	20	36,5	62	50	50	101322
		38	1 1/2"	90	41,5	22	41	70	60	55	101323

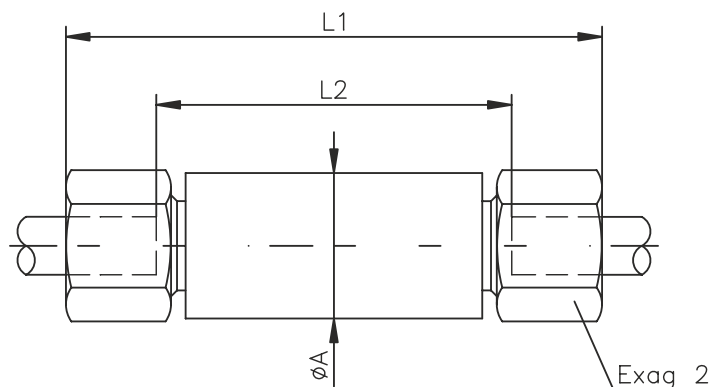
ADAPTADORES DIN 2353



33. Racor orientable, rosca métrica cilíndrica

Serie	Bar	Ø Tubo	Rosca métrica	L1	L2	L3	L5	Exag 1	Exag 2	Exag 3	Ref.
L	315	6	10 x 1	22	10	6	12	18	14	14	029072
		8	12 x 1,5	29,5	14,5	12	13	20	17	17	029073
		10	14 x 1,5	30,5	15,5	12	15	22	19	19	029074
		12	16 x 1,5	38,5	18	12	17,5	30	22	24	029075
		15	18 x 1,5	42,5	20	14	21	32	27	24	029076
		18	22 x 1,5	45,5	20,5	14	22,5	36	32	27	029077
	160	22	26 x 1,5	53	24	16	22	41	36	32	029078
		28	33 x 2	64	29	18	29,5	52	41	41	101411
		35	42 x 2	79	36	20	35,5	62	50	50	101412
		42	48 x 2	90	41	22	40	70	60	55	101413
	400	6	12 x 1,5	29,5	14,5	12	15	20	17	17	029079
		8	14 x 1,5	30,5	15,5	12	16	22	19	19	029080
		10	16 x 1,5	38,5	18	12	18	30	22	24	029081
		12	18 x 1,5	42,5	19,5	12	19,5	30	24	24	029082
		14	20 x 1,5	45,5	20,5	14	24	36	27	27	029083
		16	22 x 1,5	48,5	22,5	14	23,5	36	30	27	029084
		20	27 x 2	61	28,5	16	28,5	41	36	32	029085
	250	25	33 x 2	68	31	18	31	52	46	41	101421
		30	42 x 2	79	36	20	36,5	62	50	50	101422
		38	48 x 2	90	41	22	41	70	60	55	101423

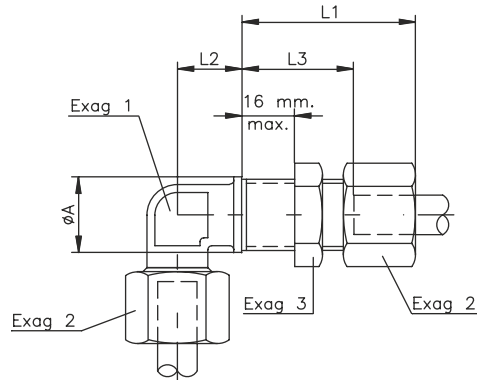
ADAPTADORES DIN 2353



34. Racor de unión para soldar en pasatabiques

Serie	Bar	Ø Tubo	Ø A	L1	L2	Exag 1	Referencia
L	315	6	18	85	56	14	039518
		8	20	85	56	17	039519
		10	22	87	58	19	039520
		12	25	87	58	22	039521
		15	28	100	70	27	039522
		18	32	101	69	32	039523
	160	22	36	105	73	36	039524
		28	40	106	73	41	039525
		35	50	114	71	50	039526
		42	60	115	70	60	039527
S	630	6	20	89	60	17	039528
		8	22	89	60	19	039529
		10	25	91	59	22	039530
		12	28	91	59	24	039531
		14	30	107	72	27	039532
	400	16	35	107	71	30	039533
		20	38	114	71	36	039534
		25	45	120	72	46	039535
		30	50	126	73	50	039536
	315	38	60	133	72	60	039537

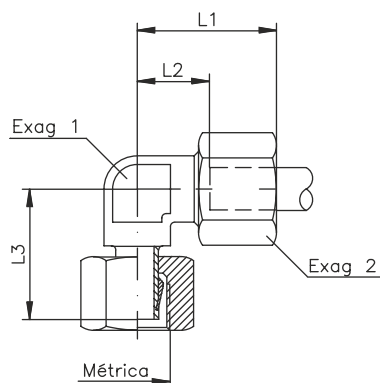
ADAPTADORES DIN 2353



35. Racor de unión, en codo pasatabiques

Serie	Bar	Ø Tubo	Ø A	L1	L2	L3	Exag 1	Exag 2	Exag 2	Ref.
L	315	6	17	42	14	27	12	14	17	039478
		8	19	42	17	27	12	17	19	039479
		10	22	43	18	28	14	19	22	039480
		12	24	44	20	29	17	22	24	039481
		15	27	46	23	31	19	27	30	039482
		18	32	49	24	32,5	24	32	36	039483
	160	22	36	51	30	34,5	27	36	41	039484
		28	42	52	34	35,5	36	41	46	039485
		35	50	58	39	36,5	41	50	55	039486
		42	60	59	43	36	50	60	65	039487
S	630	6	19	44	17	29	12	17	19	039488
		8	22	44	18	29	14	19	22	039489
		10	24	46	20	29,5	17	22	24	039490
		12	27	47	21	30,5	17	24	27	039491
		14	27	50	23	32	19	27	30	039492
	400	16	30	50	24	31,5	24	30	32	039493
		20	36	55	30	33,5	27	36	41	039494
		25	42	59	34	35	36	46	46	039495
		30	50	64	39	37,5	41	50	50	039496
		315	38	60	68	43	37	50	60	65

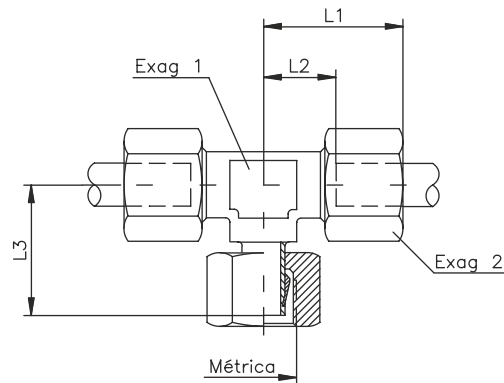
ADAPTADORES DIN 2353



36. Codo orientable

Serie	Bar	Ø Tubo	Rosca métrica	L1	L2	L3	Exag 1	Exag 2	Referencia
L	315	6	12 x 1,5	27	12	26	12	14	060693
		8	14 x 1,5	29	14	27,5	12	17	061432
		10	16 x 1,5	30	15	29	14	19	060694
		12	18 x 1,5	32	17	29,5	17	22	025220
		15	22 x 1,5	36	21	32,5	19	27	025221
		18	26 x 1,5	40	23,5	35,5	24	32	025222
	160	22	30 x 2	44	27,5	38,5	27	36	060152
		28	36 x 2	47	30,5	41,5	36	41	061846
		35	45 x 2	56	34,5	51	41	50	062000
		42	52 x 2	63	40	60	50	60	062001
S	630	6	14 x 1,5	31	16	27	12	17	060934
		8	16 x 1,5	32	17	27,5	14	19	062002
		10	18 x 1,5	34	17,5	30	17	22	062003
		12	20 x 1,5	38	21,5	31	17	24	062004
		14	22 x 1,5	40	22	35	19	27	062005
	400	16	24 x 1,5	43	24,5	36,5	24	30	062006
		20	30 x 2	48	26,5	44,5	27	36	060035
		25	36 x 2	54	30	50	36	46	062007
		30	42 x 2	62	35,5	55	41	50	024187
		315	38	52 x 2	72	41	64,5	50	60

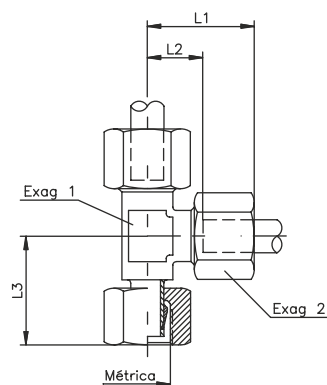
ADAPTADORES DIN 2353



37. "T" orientable

Serie	Bar	Ø Tubo	Rosca métrica	L1	L2	L3	Exag 1	Exag 2	Referencia
L	315	6	12 x 1,5	27	12	26	12	14	062040
		8	14 x 1,5	29	14	27,5	12	17	062041
		10	16 x 1,5	30	15	29	14	19	062042
		12	18 x 1,5	32	17	29,5	17	22	062043
		15	22 x 1,5	36	21	32,5	19	27	061107
		18	26 x 1,5	40	23,5	35,5	24	32	062044
	160	22	30 x 2	44	27,5	38,5	27	36	062045
		28	36 x 2	47	30,5	41,5	36	41	062046
		35	45 x 2	56	34,5	51	41	50	062047
		42	52 x 2	63	40	60	50	60	062048
S	630	6	14 x 1,5	31	16	27	12	17	062049
		8	16 x 1,5	32	17	27,5	14	19	062050
		10	18 x 1,5	34	17,5	30	17	22	062051
		12	20 x 1,5	38	21,5	31	17	24	062052
		14	22 x 1,5	40	22	35	19	27	062053
	400	16	24 x 1,5	43	24,5	36,5	24	30	062054
		20	30 x 2	48	26,5	44,5	27	36	062055
		25	36 x 2	54	30	50	36	46	062056
		30	42 x 2	62	35,5	55	41	50	062057
	315	38	52 x 2	72	41	64,5	50	60	062058

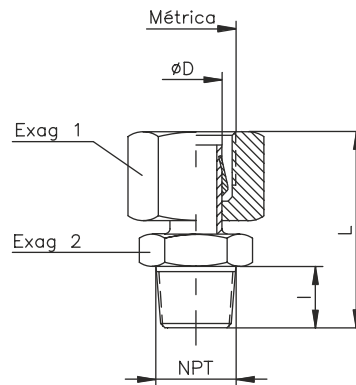
ADAPTADORES DIN 2353



38. "L" orientable

Serie	Bar	Ø Tubo	Rosca métrica	L1	L2	L3	Exag 1	Exag 2	Referencia
L	315	6	12 x 1,5	27	12	26	12	14	062095
		8	14 x 1,5	29	14	27,5	12	17	062096
		10	16 x 1,5	30	15	29	14	19	062097
		12	18 x 1,5	32	17	29,5	17	22	062098
		15	22 x 1,5	36	21	32,5	19	27	062235
		18	26 x 1,5	40	23,5	35,5	24	32	060099
	160	22	30 x 2	44	27,5	38,5	27	36	061845
		28	36 x 2	47	30,5	41,5	36	41	062100
		35	45 x 2	56	34,5	51	41	50	062101
		42	52 x 2	63	40	60	50	60	062102
S	630	6	14 x 1,5	31	16	27	12	17	062103
		8	16 x 1,5	32	17	27,5	14	19	062104
		10	18 x 1,5	34	17,5	30	17	22	062105
		12	20 x 1,5	38	21,5	31	17	24	061884
		14	22 x 1,5	40	22	35	19	27	062106
	400	16	24 x 1,5	43	24,5	36,5	24	30	062107
		20	30 x 2	48	26,5	44,5	27	36	062108
		25	36 x 2	54	30	50	36	46	061885
		30	42 x 2	62	35,5	55	41	50	062109
		315	38	52 x 2	72	41	64,5	50	60

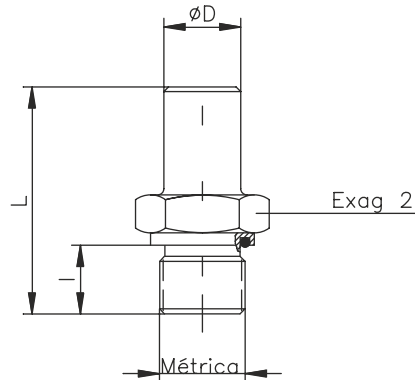
ADAPTADORES DIN 2353



39. Racor macho orientable con anillo y tuerca premontados, rosca NPT

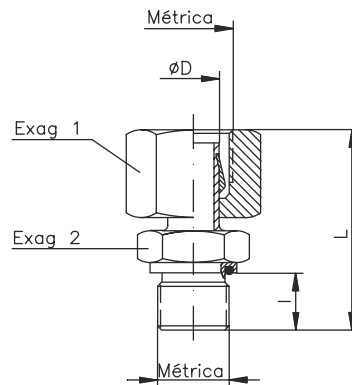
Serie	Bar	Ø D	Rosca NPT	Rosca métrica	L	I	Exag 1	Exag 2	Ref.
L	315	6	1/8"	12 x 1,5	33	10	14	11	101004
		8	1/4"	14 x 1,5	39	15	17	14	101005
		10	1/4"	16 x 1,5	40	15	19	14	101006
		12	3/8"	18 x 1,5	44,5	15	22	19	101007
		15	1/2"	22 x 1,5	48	20	27	22	101008
		18	1/2"	26 x 1,5	49	20	32	22	101009
	160	22	3/4"	30 x 2	49	20	36	27	101010
		28	1"	36 x 2	55,5	25	41	36	101011
		35	1 1/4"	45 x 2	63	26	50	46	101012
		42	1 1/2"	52 x 2	65	26	60	50	101013
S	630	6	1/4"	14 x 1,5	40	15	17	14	101014
		8	1/4"	16 x 1,5	40	15	19	14	101015
		10	3/8"	18 x 1,5	44	15	22	19	101016
		12	3/8"	20 x 1,5	44,5	15	24	19	101017
	400	16	1/2"	24 x 1,5	53,5	20	30	22	101019
		20	3/4"	30 x 2	58	20	36	27	101020
		25	1"	36 x 2	68,5	25	46	36	101021
		30	1 1/4"	42 x 2	73,5	26	50	46	101022
	315	38	1 1/2"	52 x 2	78	26	60	50	101023

ADAPTADORES DIN 2353



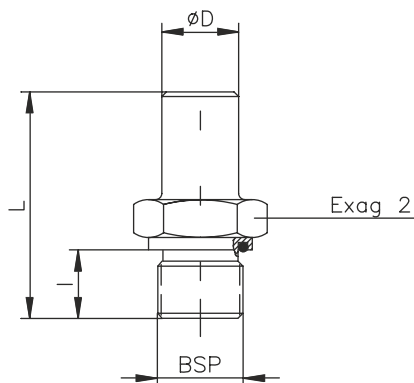
40. Nipples de salida tubular con junta tórica, rosca métrica cilíndrica

Serie	Bar	Ø D	Rosca macho	L1	l	Exag 2	Referencia
L	315	6	10 x 1	32,5	8	14	028948
		8	12 x 1,5	38,5	12	17	028949
		10	14 x 1,5	39	12	19	028950
		12	16 x 1,5	42,5	12	22	028951
		15	18 x 1,5	44	12	27	028952
		18	22 x 1,5	45,5	14	32	028953
	160	22	26 x 1,5	48,5	16	36	028954
		28	33 x 2	53,5	18	41	028955
		35	42 x 2	62,5	20	50	028956
		42	48 x 2	68,5	22	60	028957
S	630	6	12 x 1,5	39	12	17	028958
		8	14 x 1,5	41,5	12	19	028959
		10	16 x 1,5	44	12	22	028960
		12	18 x 1,5	46	12	24	028961
		14	20 x 1,5	50,5	14	27	028962
	400	16	22 x 1,5	51	14	30	028963
		20	27 x 2	59	16	36	028964
		25	33 x 2	66	18	46	028965
		30	42 x 2	71	20	50	028966
	315	38	48 x 2	82	22	60	028967

ADAPTADORES DIN 2353

41. Racor macho orientable con junta tórica, rosca métrica con anillo y tuerca

Serie	Bar	Ø D	Rosca macho	Rosca tuerca	L	l	Exag 1	Exag 2	Referencia
L	315	6	10 x 1	12 x 1,5	32,5	8	14	14	101204
		8	12 x 1,5	14 x 1,5	38,5	12	17	17	101205
		10	14 x 1,5	16 x 1,5	39	12	19	19	101206
		12	16 x 1,5	18 x 1,5	42,5	12	22	22	101207
		15	18 x 1,5	22 x 1,5	44	12	27	24	101208
		18	22 x 1,5	26 x 1,5	45,5	14	32	27	101209
	160	22	26 x 1,5	30 x 2	48,5	16	36	32	101210
		28	33 x 2	36 x 2	53,5	18	41	41	101211
		35	42 x 2	45 x 2	62,5	20	50	50	101212
		42	48 x 2	52 x 2	68,5	22	60	55	101213
S	630	6	12 x 1,5	14 x 1,5	39	12	17	17	101214
		8	14 x 1,5	16 x 1,5	41,5	12	19	19	101215
		10	16 x 1,5	18 x 1,5	44	12	22	22	101216
		12	18 x 1,5	20 x 1,5	46	12	24	24	101217
		14	20 x 1,5	22 x 1,5	50,5	14	27	27	101218
	400	16	22 x 1,5	24 x 1,5	51	14	30	27	101219
		20	27 x 2	30 x 2	59	16	36	32	101220
		25	33 x 2	36 x 2	66	18	46	41	101221
		30	42 x 2	42 x 2	71	20	50	50	101222
		315	38	48 x 2	52 x 2	82	22	60	55

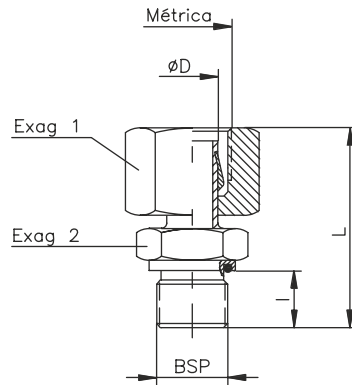
ADAPTADORES DIN 2353



42. Nipples de salida tubular con junta tórica, rosca Gas cilíndrica

Serie	Bar	Ø D	Rosca macho	L1	l	Exag 2	Referencia
L	315	6	1/8"	32,5	8	14	038195
		8	1/4"	41,5	12	19	038196
		10	1/4"	39,5	12	19	038197
		12	3/8"	46	12	22	038199
		15	1/2"	46	14	27	038200
		18	1/2"	45,5	14	27	038201
	160	22	3/4"	48,5	16	32	038202
		28	1"	53	18	41	038203
		35	1 1/4"	62,5	20	50	038204
		42	1 1/2"	68,5	22	55	038205
S	630	6	1/4"	39	12	19	038206
		8	1/4"	41,5	12	19	038196
		10	3/8"	44,5	12	22	038208
		12	3/8"	46	12	22	038199
		14	1/2"	51	14	27	038211
	400	16	1/2"	50,5	14	27	038212
		20	3/4"	59	16	32	038214
		25	1"	66	18	41	038215
		30	1 1/4"	71	20	50	038216
		35	1 1/2"	82	22	55	038217

ADAPTADORES DIN 2353



43. Racor macho orientable con junta tórica, rosca Gas con anillo y tuerca

Serie	Bar	Ø D	Rosca macho	Rosca tuerca	L	I	Exag 1	Exag 2	Referencia
L	315	6	1/8"	12 x 1,5	32,5	8	14	14	101104
		8	1/4"	14 x 1,5	41,5	12	17	19	101105
		10	1/4"	16 x 1,5	39,5	12	19	19	101106
		12	3/8"	18 x 1,5	46	12	22	22	101107
		15	1/2"	22 x 1,5	46	14	27	27	101108
		18	1/2"	26 x 1,5	45,5	14	32	27	101109
	160	22	3/4"	30 x 2	48,5	16	36	32	101110
		28	1"	36 x 2	53	18	41	41	101111
		35	1 1/4"	45 x 2	62,5	20	50	50	101112
		42	1 1/2"	52 x 2	68,5	22	60	55	101113
S	630	6	1/4"	14 x 1,5	39	12	17	19	101114
		8	1/4"	16 x 1,5	41,5	12	19	19	101115
		10	3/8"	18 x 1,5	44,5	12	22	22	101116
		12	3/8"	20 x 1,5	46	12	24	22	101117
		14	1/2"	22 x 1,5	51	14	27	27	101118
	400	16	1/2"	24 x 1,5	50,5	14	30	27	101119
		20	3/4"	30 x 2	59	16	36	32	101120
		25	1"	36 x 2	66	18	46	41	101121
		30	1 1/4"	42 x 2	71	20	50	50	101122
	315	38	1 1/2"	52 x 2	82	22	60	55	101123

ADAPTADORES DIN 2353

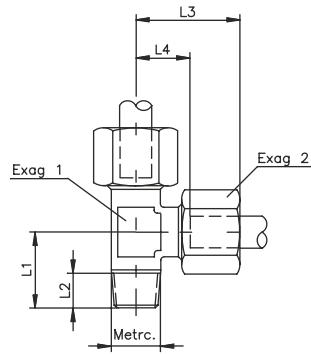


FIG.11

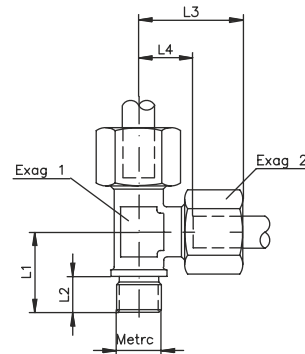


FIG.12

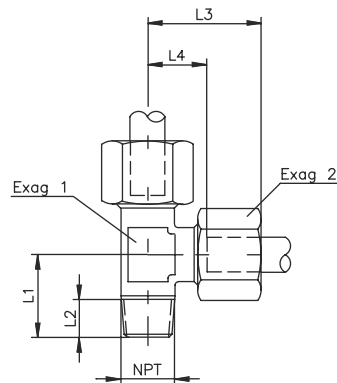
44. Racor en "L", rosca métrica cónica. Figura 11

Serie	Bar	Ø Tubo	Rosca métrica	L1	L2	L3	L4	Exag 1	Exag 2	Ref.
L	315	6	10 x 1	20	8	27	12	12	14	039339
		8	12 x 1,5	26	12	29	14	12	17	039340
		10	14 x 1,5	27	12	30	15	14	19	039341
		12	16 x 1,5	30	12	32	17	17	22	039342
		15	18 x 1,5	32	14	36	21	19	27	039343
		18	22 x 1,5	36	14	40	23,5	24	32	039344
S	630	6	12 x 1,5	26	12	31	16	12	17	039345
		8	14 x 1,5	27	12	32	17	14	19	039346
		10	16 x 1,5	28	12	34	17,5	17	22	039347
		12	18 x 1,5	31	12	38	21,5	17	24	039348
		14	20 x 1,5	32	14	40	22	19	27	039349
	400	16	22 x 1,5	32	14	43	24,5	24	30	039350

45. Racor en "L", rosca métrica cilíndrica. Figura 12

Serie	Bar	Ø Tubo	Rosca métrica	L1	L2	L3	L4	Exag 1	Exag 2	Ref.
L	160	22	26 x 1,5	42	16	44	27,5	27	36	033359
		28	33 x 2	48	18	47	30,5	36	41	033360
		35	42 x 2	54	20	56	34,5	41	50	033361
		42	48 x 2	61	22	63	40	50	60	033362
S	400	20	27 x 2	42	16	48	26,5	27	36	033363
		25	33 x 2	48	18	54	31	36	46	033364
	250	30	42 x 2	54	20	62	35,5	41	50	033365
		38	48 x 2	61	22	72	41	50	60	033366

ADAPTADORES DIN 2353



46. Racor en "L", rosca NPT

Serie	Bar	Ø Tubo	Rosca NPT	L1	L2	L3	L4	Exag 1	Exag 2	Ref.
L	315	6	1/8"	20	8	27	12	12	14	103104
		8	1/4"	26	12	29	14	12	17	103105
		10	1/4"	27	12	30	15	14	19	103106
		12	3/8"	30	12	32	17	17	22	103107
		15	1/2"	34	14	36	21	19	27	103108
		18	1/2"	36	14	40	23,5	24	32	103109
	160	22	3/4"	42	16	44	27,5	27	36	103110
		28	1"	48	18	47	30,5	36	41	103111
		35	1 1/4"	54	20	56	34,5	41	50	103112
		42	1 1/2"	61	22	63	40	50	60	103113
S	630	6	1/4"	26	12	31	16	12	17	103114
		8	1/4"	27	12	32	17	14	19	103115
		10	3/8"	28	12	34	17,5	17	22	103116
		12	3/8"	31	12	38	21,5	17	24	103117
		14	1/2"	34	16	40	22	19	27	103118
	400	16	1/2"	36	16	43	24,5	24	30	103119
		20	3/4"	42	16	48	26,5	27	36	103120
		25	1"	48	18	54	30	36	46	103121
		30	1 1/4"	54	20	62	35,5	41	50	103122
	315	38	1 1/2"	61	22	72	41	50	60	103123

ADAPTADORES DIN 2353

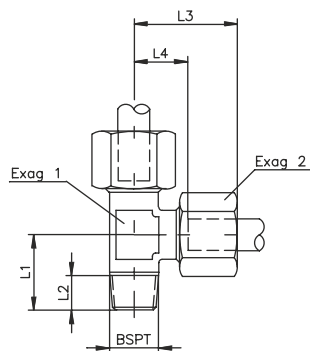


FIG. 13

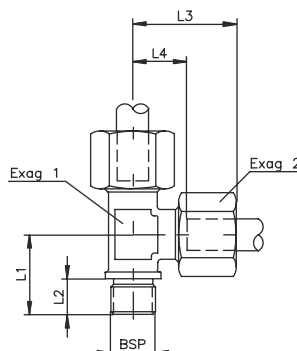


FIG. 14

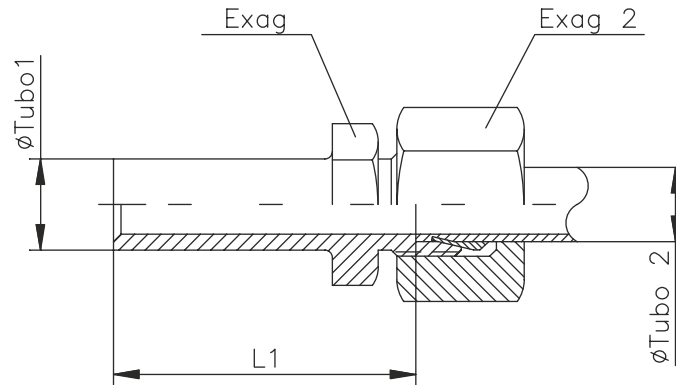
47. Racor en "L", rosca Gas cónica. Figura 13

Serie	Bar	Ø Tubo	Rosca BSPT	L1	L2	L3	L4	Exag 1	Exag 2	Ref.
L	315	6	1/8"	20	8	27	12	12	14	039322
		8	1/4"	26	12	29	14	12	17	039323
		10	1/4"	27	12	30	15	14	19	039324
		12	3/8"	30	12	32	17	17	22	039326
		15	1/2"	34	14	36	21	19	27	039327
		18	1/2"	36	14	40	23,5	24	32	039328
S	630	6	1/4"	26	12	31	16	12	17	039329
		8	1/4"	27	12	32	17	14	19	039330
		10	3/8"	28	12	34	17,5	17	22	039331
		12	3/8"	31	12	38	21,5	17	24	039332
		14	1/2"	32	14	40	22	19	27	039333
	400	16	1/2"	32	14	43	24,5	24	30	039334

48. Racor en "L", rosca Gas cilíndrica. Figura 14

Serie	Bar	Ø Tubo	Rosca BSPT	L1	L2	L3	L4	Exag 1	Exag 2	Ref.
L	160	22	3/4"	42	16	44	27,5	27	36	039351
		28	1"	48	18	47	30,5	36	41	039352
		35	1 1/4"	54	20	56	34,5	41	50	039353
		42	1 1/2"	61	22	63	40	50	60	039354
S	400	20	3/4"	42	16	48	26,5	27	36	039355
		25	1"	48	18	54	31	36	46	039356
	250	30	1 1/4"	54	20	62	35,5	41	50	039357
		38	1 1/2"	61	22	72	41	50	60	039358

ADAPTADORES DIN 2353

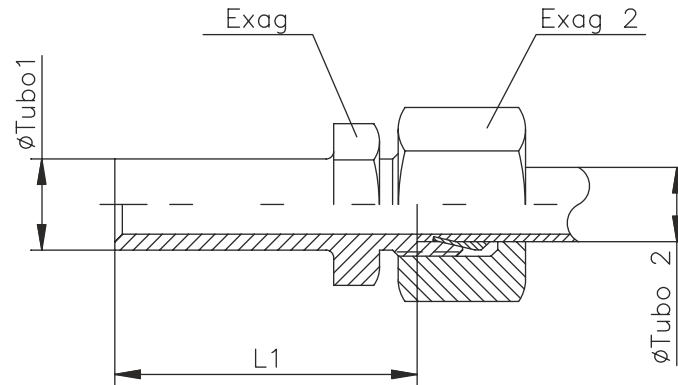


49. Adaptador de reducción tubo macho / tubo hembra

Serie	Bar	Ø Tubo 1	Ø Tubo 2	L1	Exag	Exag 2	Referencia
L	315	8	6	29,5	14	14	039748
		10	6	29,5	14	14	039749
		10	8	29,5	17	17	039750
		12	6	29,5	14	14	039751
		12	8	29,5	17	17	039752
		12	10	31	17	19	039753
		15	6	29,5	17	14	039754
		15	8	29,5	17	17	039755
		15	10	31	17	19	039756
		15	12	31	19	22	039757
		18	6	30,5	19	14	039758
		18	8	30,5	19	17	039759
		18	10	32	19	19	039760
		18	12	32	19	22	039761
		18	15	32,5	24	27	039762
	160	22	6	33,5	24	14	039763
		22	8	33,5	24	17	039764
		22	10	35	24	19	039765
		22	12	35	24	22	039766
		22	15	35,5	24	27	039767
		28	6	34,5	32	14	039769
		28	8	34,5	32	17	039770
		28	10	36	32	19	039771
		28	12	36	32	22	039772
		28	15	36,5	32	27	039773
		28	18	36	32	32	039774
		28	22	36	32	36	039775
		35	15	42,5	36	27	039780
		35	18	42	36	32	039781
		35	22	44	36	36	039782
35	28	44	41	41	039783		
42	18	44	46	32	039789		
42	22	46	46	36	039790		
42	28	46	46	41	039791		
42	35	45	46	50	039792		

Continúa en la siguiente página.

ADAPTADORES DIN 2353

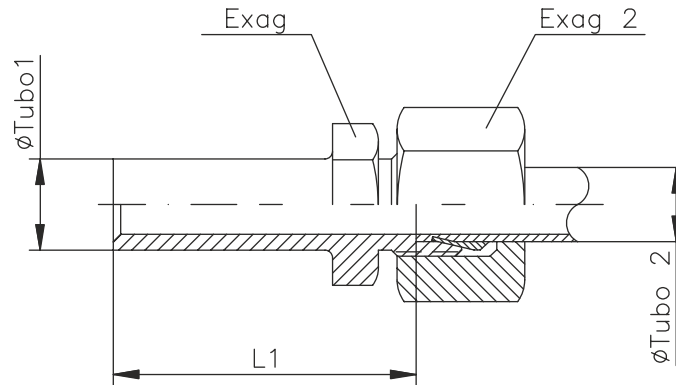


49. Adaptador de reducción tubo macho / tubo hembra

Serie	Bar	Ø Tubo 1	Ø Tubo 2	L1	Exag	Exag 2	Referencia
S	630	8	6	31	17	17	039793
		10	6	32	17	17	039794
		10	8	32	17	19	039795
		12	6	33	17	17	039796
		12	8	33	17	19	039797
		12	10	32,5	19	22	039798
		14	6	37	17	17	039799
		14	8	37	17	19	039800
		14	10	36,5	19	22	039801
	14	12	36,5	22	24	039802	
	400	16	6	37	17	17	039803
		16	8	37	17	19	039804
		16	10	36,5	19	22	039805
		16	12	36,5	22	24	039806
		16	14	38	24	27	039807
		20	8	43	22	19	039809
		20	10	42,5	22	22	039810
		20	12	42,5	22	24	039811
		20	14	44	24	27	039812
		20	16	43,5	27	30	039813
		25	6	47	27	17	039814
		25	8	47	27	19	039815
		25	10	46,5	27	22	039816
		25	12	46,5	27	24	039817
		25	14	48	27	27	039818
		25	16	47,5	27	30	039819
		25	20	47,5	32	36	039820
		30	12	48,5	32	24	039824
		30	14	50	32	27	039825
		30	16	49,5	32	30	039826
		30	20	49,5	32	36	039827
	30	25	50	41	46	039828	
	315	38	12	56,5	41	24	039832
		38	16	56,5	41	30	039834
		38	20	56,5	41	36	039835
38		25	57	41	46	039836	
38		30	57,5	46	50	039837	

Continuación de la página anterior.

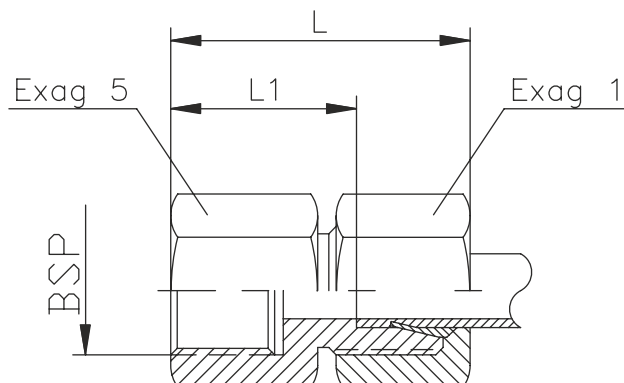
ADAPTADORES DIN 2353



50. Racor recto hembra, rosca Gas cilíndrica

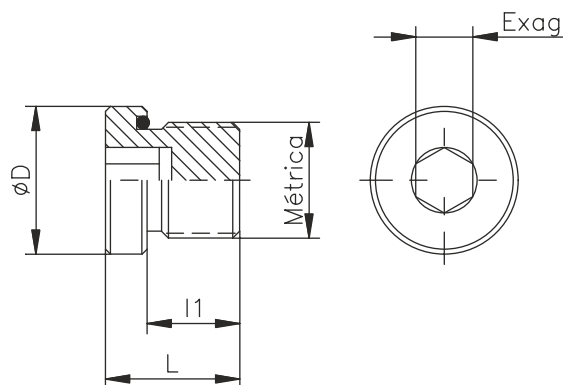
Serie	Bar	Ø Tubo	Rosca BSP	L	L1	Exag 1	Exag 5	Referencia
L	315	6	1/8"	34	19	14	14	039727
		8	1/4"	39	24	17	19	039728
		10	1/4"	40	25	19	19	039729
		12	3/8"	41	26	22	24	039730
		15	1/2"	46	31	27	27	039731
		18	1/2"	47	30,5	32	27	039732
	160	22	3/4"	52	35,5	36	36	039734
		28	1"	55	38	41	41	039735
		35	1 1/4"	63	41	50	55	039736
		42	1 1/2"	65	42,5	60	60	039737
S	630	6	1/4"	41	26	17	19	039738
		8	1/4"	41	26	19	19	039739
		10	3/8"	43	26,5	22	24	039740
		12	3/8"	43	26,5	24	24	039741
		14	1/2"	50	32	27	30	039742
	400	16	1/2"	50	31,5	30	30	039743
		20	3/4"	56	34,5	36	36	039744
		25	1"	62	37,5	46	41	039745
		30	1 1/4"	69	42	50	55	039746
	315	38	1 1/2"	74	43,5	60	60	039747

ADAPTADORES DIN 2353



51. Racor recto hembra, rosca métrica cilíndrica

Serie	Bar	Ø Tubo	Rosca métrica	L	L1	Exag 1	Exag 5	Ref.
L	315	6	10 x 1	34	19	14	14	100804
		8	12 x 1,5	39	24	17	17	100805
		10	14 x 1,5	40	25	19	19	100806
		12	16 x 1,5	41	26	22	22	100807
		15	18 x 1,5	46	31	27	24	100808
		18	22 x 1,5	47	30,5	32	30	100809
	160	22	26 x 1,5	52	35,5	36	32	100810
		28	33 x 2	55	38	41	41	100811
		35	42 x 2	63	41	50	55	100812
		42	48 x 2	65	42,5	60	60	100813
S	630	6	12 x 1,5	41	26	17	17	100814
		8	14 x 1,5	41	26	19	19	100815
		10	16 x 1,5	43	26,5	22	22	100816
		12	18 x 1,5	43	26,5	24	24	100817
		14	20 x 1,5	50	32	27	27	100818
	400	16	22 x 1,5	50	31,5	30	30	100819
		20	27 x 2	56	34,5	36	36	100820
		25	33 x 2	62	37,5	46	41	100821
		30	42 x 2	69	42	50	55	100822
	315	38	48 x 2	74	43,5	60	60	100823

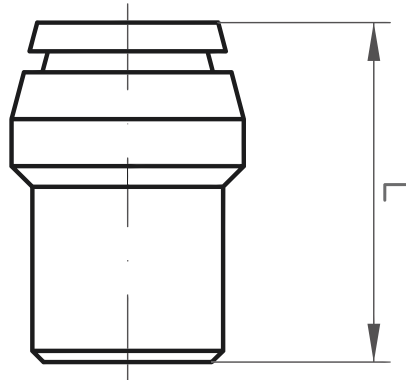
ADAPTADORES DIN 2353

52. Tapón macho para bloque, rosca métrica cilíndrica

Rosca métrica	Ø D	l1	L	Exag interior	Referencia con junta
10 x 1	14	8	12	5	028302
12 x 1,5	17	12	17	6	028303
14 x 1,5	19	12	17	6	028304
16 x 1,5	22	12	17	8	028305
18 x 1,5	22	12	17	8	029844
20 x 1,5	26	14	19	10	028306
22 x 1,5	27	14	19	10	028307
27 x 2	32	16	21	12	028309
33 x 2	40	16	22,5	17	028310
42 x 2	50	16	22,5	22	028311
48 x 2	55	16	22,5	24	028312

53. Tapón macho para bloque, rosca gas cilíndrica

Rosca BSP	Ø D	l1	L	Exag interior	Referencia con junta
1/8"	14	8	12	5	036856
1/4"	19	12	17	6	036858
3/8"	22	12	17	8	036860
1/2"	27	14	19	10	036862
3/4"	32	16	21	12	036864
1"	40	16	22,5	17	036866
1 1/4"	50	16	22,5	22	036868
1 1/2"	55	16	22,5	24	036870

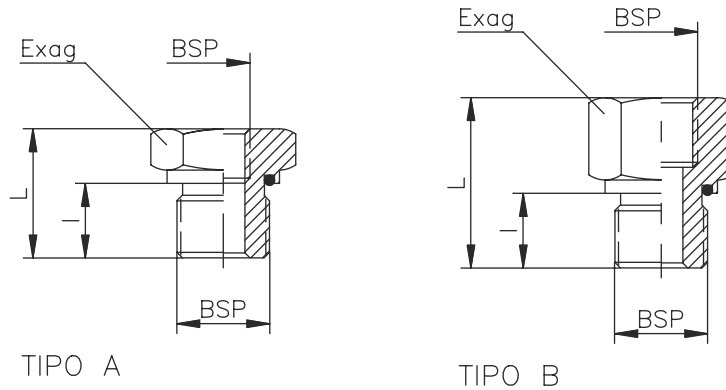
ADAPTADORES DIN 2353



54. Tapón obturador. Figura 16

Serie	Bar	Ø Tubo	L	O'Ring	Referencia
L	315	6	18,5	4 x 1,5	107304
		8	18,5	6 x 1,5	107305
		10	20	7,5 x 1,5	107306
		12	20,5	9 x 1,5	107307
		15	20,5	12 x 2	107308
		18	22,5	15 x 2	107309
	160	22	25	20 x 2	107310
		28	25,5	26 x 2	107311
		35	30	32 x 2,5	107312
		42	30	38 x 2,5	107313
S	630	14	23,5	10 x 2	107318
	400	16	25,5	12 x 2	107319
		20	30,5	16,3 x 2,4	107320
		25	32,5	20,3 x 2,4	107321
		30	35,5	25,3 x 2,4	107322
		315	38	40	33,3 x 2,4

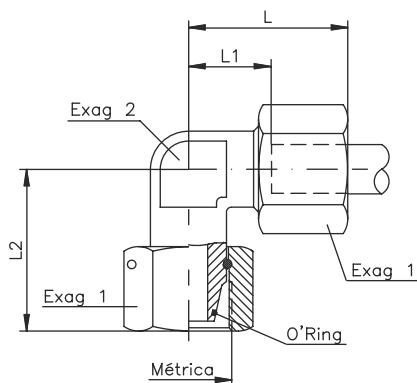
ADAPTADORES DIN 2353



55. Reducción macho/hembra, rosca Gas cilíndrica con junta tórica.

Serie	Bar	Rosca macho	Rosca hembra	L	I	Exag	Referencia
A	630	3/8"	1/8"	22,5	12	22	032500
		1/2"	1/8"	24	14	27	032501
		1/2"	1/4"	24	14	27	032502
	400	3/4"	1/4"	26	16	32	032503
		3/4"	3/8"	26	16	32	032504
		1"	1/4"	29	18	41	032505
		1"	3/8"	29	18	41	032506
		1"	1/2"	29	18	41	032507
		1 1/4"	1/2"	32	20	50	032508
		1 1/4"	3/4"	32	20	50	032509
	315	1 1/2"	1/2"	36	22	55	032510
		1 1/2"	3/4"	36	22	55	032511
1 1/2"		1"	36	22	55	032512	
B	630	1/8"	1/4"	31	8	19	032513
		1/8"	3/8"	32	8	24	032514
		1/4"	1/8"	28	12	19	032515
		1/4"	3/8"	36	12	24	032516
		1/4"	1/2"	40	12	30	032517
		1/4"	3/4"	43	12	36	032518
		3/8"	1/4"	36	12	22	032519
		3/8"	1/2"	41	12	30	032520
	400	3/8"	3/4"	44	12	36	032521
	630	1/2"	3/8"	36	14	27	032522
	400	1/2"	3/4"	46	14	36	032523
		1/2"	1"	49	14	41	032524
		1/2"	1 1/4"	53	14	55	032525
		3/4"	1/2"	41	16	32	032526
		3/4"	1"	51	16	41	032527
		3/4"	1 1/4"	55	16	55	032528
		315	3/4"	1 1/2"	57	16	60
	400	1"	3/4"	47	18	41	032530
		1"	1 1/4"	57	18	55	032531
	315	1"	1 1/2"	59	18	60	032532
	400	1 1/4"	1"	52	20	50	032533
315	1 1/4"	1 1/2"	60	20	60	032534	
	1 1/2"	1 1/4"	58	22	55	032535	

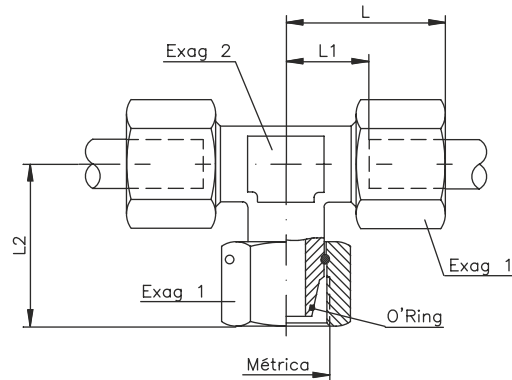
ADAPTADORES DIN 2353



56. Codo orientable hembra con junta tórica

Serie	Bar	Ø Tubo	Rosca métrica	L	L1	L2	Exag 1	Exag 2	O'Ring	Ref.
L	315	6	12 x 1,5	27	12	26	14	12	4 x 1,5	604204
		8	14 x 1,5	29	14	27,5	17	12	6 x 1,5	604205
		10	16 x 1,5	30	15	29	19	14	7,5 x 1,5	604206
		12	18 x 1,5	32	17	29,5	22	17	9 x 1,5	604207
		15	22 x 1,5	36	21	32,5	27	19	12 x 2	604208
		18	26 x 1,5	40	23,5	35,5	32	24	15 x 2	604209
	160	22	30 x 2	44	27,5	38,5	36	27	20 x 2	604210
		28	36 x 2	47	30,5	41,5	41	36	26 x 2	604211
		35	45 x 2	56	34,5	51	50	41	32 x 2,5	604212
		42	52 x 2	63	40	56	60	50	38 x 2,5	604213
S	630	6	14 x 1,5	31	16	27	17	12	4 x 1,5	604214
		8	16 x 1,5	32	17	27,5	19	14	6 x 1,5	604215
		10	18 x 1,5	34	17,5	30	22	17	7,5 x 1,5	604216
		12	20 x 1,5	38	21,5	31	24	17	9 x 1,5	604217
		14	22 x 1,5	40	22	35	27	19	10 x 2	604218
	400	16	24 x 1,5	43	24,5	36,5	30	24	12 x 2	604219
		20	30 x 2	48	26,5	44,5	36	27	16,3 x 2,4	604220
		25	36 x 2	54	30	50	46	36	20,3 x 2,4	604221
		30	42 x 2	62	35,5	55	50	41	25,3 x 2,4	604222
		315	38	52 x 2	72	41	63	60	50	33,3 x 2,4

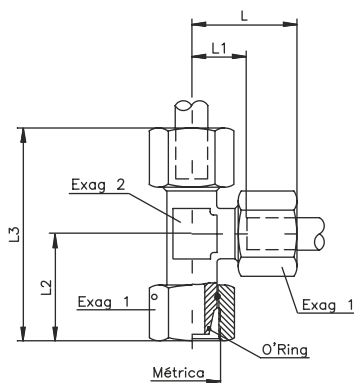
ADAPTADORES DIN 2353



57. "T" orientable hembra con junta tórica

Serie	Bar	Ø Tubo	Rosca métrica	L	L1	L2	Exag 1	Exag 2	O'Ring	Ref.
L	315	6	12 x 1,5	27	12	26	14	12	4 x 1,5	605004
		8	14 x 1,5	29	14	27,5	17	12	6 x 1,5	605005
		10	16 x 1,5	30	15	29	19	14	7,5 x 1,5	605006
		12	18 x 1,5	32	17	29,5	22	17	9 x 1,5	605007
		15	22 x 1,5	36	21	32,5	27	19	12 x 2	605008
		18	26 x 1,5	40	23,5	35,5	32	24	15 x 2	605009
	160	22	30 x 2	44	27,5	38,5	36	27	20 x 2	605010
		28	36 x 2	47	30,5	41,5	41	36	26 x 2	605011
		35	45 x 2	56	34,5	51	50	41	32 x 2,5	605012
		42	52 x 2	63	40	56	60	50	38 x 2,5	605013
S	630	6	14 x 1,5	31	16	27	17	12	4 x 1,5	605014
		8	16 x 1,5	32	17	27,5	19	14	6 x 1,5	605015
		10	18 x 1,5	34	17,5	30	22	17	7,5 x 1,5	605016
		12	20 x 1,5	38	21,5	31	24	17	9 x 1,5	605017
		14	22 x 1,5	40	22	35	27	19	10 x 2	605018
	400	16	24 x 1,5	43	24,5	36,5	30	24	12 x 2	605019
		20	30 x 2	48	26,5	44,5	36	27	16,3 x 2,4	605020
		25	36 x 2	54	30	50	46	36	20,3 x 2,4	605021
		30	42 x 2	62	35,5	55	50	41	25,3 x 2,4	605022
		315	38	52 x 2	72	41	63	60	50	33,3 x 2,4

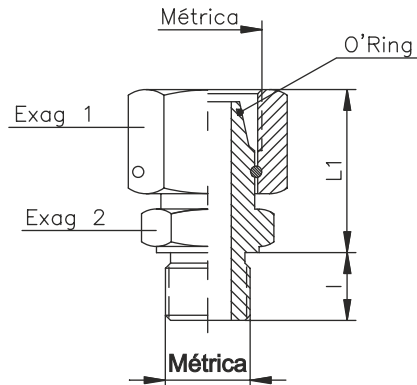
ADAPTADORES DIN 2353



58. "L" reversible orientable hembra con junta tórica

Serie	Bar	Ø Tubo	Rosca métrica	L	L1	L2	L3	Exag 1	Exag 2	O'Ring	Ref.
L	315	6	12 x 1,5	27	12	26	53	14	12	4 x 1,5	604604
		8	14 x 1,5	29	14	27,5	56	17	12	6 x 1,5	604605
		10	16 x 1,5	30	15	29	59	19	14	7,5 x 1,5	604606
		12	18 x 1,5	32	17	29,5	61	22	17	9 x 1,5	604607
		15	22 x 1,5	36	21	32,5	69	27	19	12 x 2	604608
		18	26 x 1,5	40	23,5	35,5	75	32	24	15 x 2	604609
	160	22	30 x 2	44	27,5	38,5	82	36	27	20 x 2	604610
		28	36 x 2	47	30,5	41,5	89	41	36	26 x 2	604611
		35	45 x 2	56	34,5	51	107	50	41	32 x 2,5	604612
		42	52 x 2	63	40	56	119	60	50	38 x 2,5	604613
S	630	6	14 x 1,5	31	16	27	58	17	12	4 x 1,5	604614
		8	16 x 1,5	32	17	27,5	59	19	14	6 x 1,5	604615
		10	18 x 1,5	34	17,5	30	64	22	17	7,5 x 1,5	604616
		12	20 x 1,5	38	21,5	31	69	24	17	9 x 1,5	604617
		14	22 x 1,5	40	22	35	75	27	19	10 x 2	604618
	400	16	24 x 1,5	43	24,5	36,5	79	30	24	12 x 2	604619
		20	30 x 2	48	26,5	44,5	93	36	27	16,3 x 2,4	604620
		25	36 x 2	54	30	50	104	46	36	20,3 x 2,4	604621
		30	42 x 2	62	35,5	55	117	50	41	25,3 x 2,4	604622
		315	38	52 x 2	72	41	63	135	60	50	33,3 x 2,4

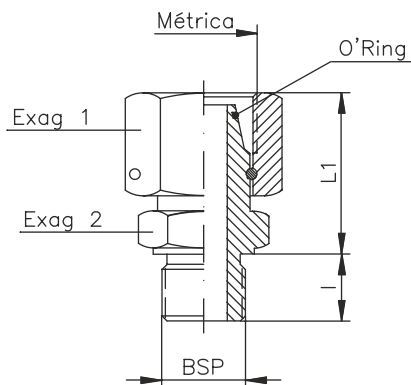
ADAPTADORES DIN 2353



59. Racor macho orientable con junta tórica, rosca métrica cilíndrica

Serie	Bar	Ø Tubo	Rosca macho	Rosca hembra	l	L1	Exag 1	Exag 2	O'Ring	Ref.
L	315	6	10 x 1	12 x 1,5	8	24,5	14	14	4 x 1,5	600604
		8	12 x 1,5	14 x 1,5	12	26,5	17	17	6 x 1,5	600605
		10	14 x 1,5	16 x 1,5	12	27,5	19	19	7,5 x 1,5	600606
		12	16 x 1,5	18 x 1,5	12	30,5	22	22	9 x 1,5	600607
		15	18 x 1,5	22 x 1,5	12	31,5	27	24	12 x 2	600608
		18	22 x 1,5	26 x 1,5	14	31,5	32	27	15 x 2	600609
	160	22	26 x 1,5	30 x 2	16	32,5	36	32	20 x 2	600610
		28	33 x 2	36 x 2	18	35	41	41	26 x 2	600611
		35	42 x 2	45 x 2	20	42,5	50	50	32 x 2,5	600612
		42	48 x 2	52 x 2	22	46,5	60	55	38 x 2,5	600613
S	630	6	12 x 1,5	14 x 1,5	12	27	17	17	4 x 1,5	600614
		8	14 x 1,5	16 x 1,5	12	29,5	19	19	6 x 1,5	600615
		10	16 x 1,5	18 x 1,5	12	32	22	22	7,5 x 1,5	600616
		12	18 x 1,5	20 x 1,5	12	34	24	24	9 x 1,5	600617
		14	20 x 1,5	22 x 1,5	14	36,5	27	27	10 x 2	600618
	400	16	22 x 1,5	24 x 1,5	14	37	30	27	12 x 2	600619
		20	27 x 2	30 x 2	16	43	36	32	16,3 x 2,4	600620
		25	33 x 2	36 x 2	18	48	46	41	20,3 x 2,4	600621
		30	42 x 2	42 x 2	20	51	50	50	25,3 x 2,4	600622
		315	38	48 x 2	52 x 2	22	60	60	55	33,3 x 2,4

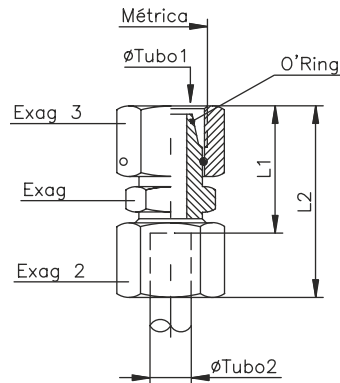
ADAPTADORES DIN 2353



60. Racor macho orientable con junta tórica, rosca Gas cilíndrica

Serie	Bar	Ø Tubo	Rosca macho	Rosca hembra	l	L1	Exag 1	Exag 2	O'Ring	Ref.
L	315	6	1/8"	12 x 1,5	8	24,5	14	14	4 x 1,5	600504
		8	1/4"	14 x 1,5	12	29,5	17	19	6 x 1,5	600505
		10	1/4"	16 x 1,5	12	27,5	19	19	7,5 x 1,5	600506
		12	3/8"	18 x 1,5	12	34	22	22	9 x 1,5	600507
		15	1/2"	22 x 1,5	14	32	27	27	12 x 2	600508
		18	1/2"	26 x 1,5	14	31,5	32	27	15 x 2	600509
	160	22	3/4"	30 x 2	16	32,5	36	32	20 x 2	600510
		28	1"	36 x 2	18	35	41	41	26 x 2	600511
		35	1 1/4"	45 x 2	20	42,5	50	50	32 x 2,5	600512
		42	1 1/2"	52 x 2	22	46,5	60	55	38 x 2,5	600513
S	630	6	1/4"	14 x 1,5	12	27	17	19	4 x 1,5	600514
		8	1/4"	16 x 1,5	12	29,5	19	19	6 x 1,5	600515
		10	3/8"	18 x 1,5	12	32	22	22	7,5 x 1,5	600516
		12	3/8"	20 x 1,5	12	34	24	22	9 x 1,5	600517
		14	1/2"	22 x 1,5	14	36,5	27	27	10 x 2	600518
	400	16	1/2"	24 x 1,5	14	37	30	27	12 x 2	600519
		20	3/4"	30 x 2	16	43	36	32	16,3 x 2,4	600520
		25	1"	36 x 2	18	48	46	41	20,3 x 2,4	600521
		30	1 1/4"	42 x 2	20	51	50	50	25,3 x 2,4	600522
	315	38	1 1/2"	52 x 2	22	60	60	55	33,3 x 2,4	600523

ADAPTADORES DIN 2353

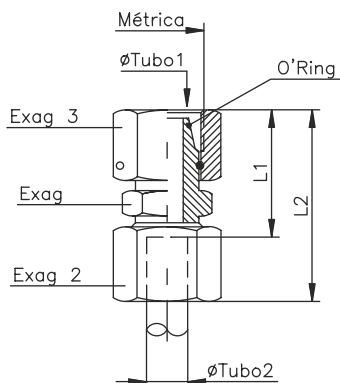


61. Adaptador de reducción con junta tórica

Serie	Bar	Ø Tubo 1	Ø Tubo 2	Rosca métrica	L1	L2	Exag 1	Exag 2	Exag 3	O'ring	Ref.
L	315	8	6	14 x 1,5	23,5	38	12	14	17	6 x 1,5	605301
		10	6	16 x 1,5	25	40	14	14	19	7,5 x 1,5	605302
		10	8	16 x 1,5	25	40	14	17	19	7,5 x 1,5	605310
		12	6	18 x 1,5	25	40	17	14	22	9 x 1,5	605303
		12	8	18 x 1,5	25	40	17	17	22	9 x 1,5	605311
		12	10	18 x 1,5	26	41	17	19	22	9 x 1,5	605318
		15	6	22 x 1,5	28,5	43	19	14	27	12 x 2	605304
		15	8	22 x 1,5	28,5	43	19	17	27	12 x 2	605312
		15	10	22 x 1,5	29,5	44	19	19	27	12 x 2	605319
		15	12	22 x 1,5	29,5	44	19	22	27	12 x 2	605325
		18	6	26 x 1,5	28	43	24	14	32	15 x 2	605305
		18	8	26 x 1,5	28	43	24	17	32	15 x 2	605313
		18	10	26 x 1,5	29	44	24	19	32	15 x 2	605320
		18	12	26 x 1,5	29	44	24	22	32	15 x 2	605326
	18	15	26 x 1,5	30	45	24	27	32	15 x 2	605331	
	160	22	6	30 x 2	32	47	27	14	36	20 x 2	605306
		22	8	30 x 2	32	47	27	17	36	20 x 2	605314
		22	10	30 x 2	33	48	27	19	36	20 x 2	605321
		22	12	30 x 2	33	48	27	22	36	20 x 2	605327
		22	15	30 x 2	34	49	27	27	36	20 x 2	605332
		22	18	30 x 2	33,5	50	27	32	36	20 x 2	605336
		28	6	36 x 2	34	49	32	14	41	26 x 2	605307
		28	8	36 x 2	34	49	32	17	41	26 x 2	605315
		28	10	36 x 2	35	50	32	19	41	26 x 2	605322
		28	12	36 x 2	35	50	32	22	41	26 x 2	605328
		28	15	36 x 2	36	51	32	27	41	26 x 2	605333
		28	18	36 x 2	36,5	52	32	32	41	26 x 2	605337
		28	22	36 x 2	37,5	54	32	36	41	26 x 2	605340
35		15	45 x 2	39	54	41	27	50	32 x 2,5	605334	
35	18	45 x 2	38,5	55	41	32	50	32 x 2,5	605338		
35	22	45 x 2	40,5	57	41	36	50	32 x 2,5	605341		
35	28	45 x 2	40,5	57	41	41	50	32 x 2,5	605343		
42	18	52 x 2	42	58	50	32	60	38 x 2,5	605339		
42	22	52 x 2	44	60	50	36	60	38 x 2,5	605342		
45	28	52 x 2	44	61	50	41	60	38 x 2,5	605344		
42	35	52 x 2	43	65	50	50	60	38 x 2,5	605345		

Continúa en la siguiente página.

ADAPTADORES DIN 2353

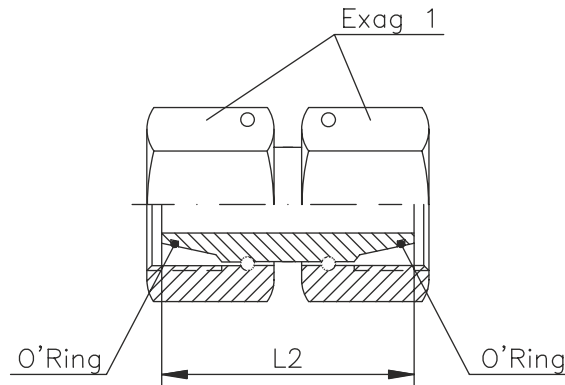


61. Adaptador de reducción con junta tórica

Serie	Bar	Ø Tubo 1	Ø Tubo 2	Rosca métrica	L1	L2	Exag 1	Exag 2	Exag 3	O'ring	Ref.
S	630	8	6	16 x 1,5	27	42	14	17	19	6 x 1,5	605401
		10	6	18 x 1,5	27,5	42	17	17	22	7,5 x 1,5	605402
		10	8	18 x 1,5	27,5	42	17	19	22	7,5 x 1,5	605410
		12	6	20 x 1,5	29	44	17	17	24	9 x 1,5	605403
		12	8	20 x 1,5	29	44	17	19	24	9 x 1,5	605411
		12	10	20 x 1,5	29,5	46	19	22	24	9 x 1,5	605418
		14	6	22 x 1,5	31,5	46	19	17	27	10 x 2	605404
		14	8	22 x 1,5	31,5	46	19	19	27	10 x 2	605412
		14	10	22 x 1,5	31	47	19	22	27	10 x 2	605419
		14	12	22 x 1,5	31	47	22	24	27	10 x 2	605425
		16	6	24 x 1,5	32	47	22	17	30	12 x 2	605405
		16	8	24 x 1,5	32	47	22	19	30	12 x 2	605413
	16	10	24 x 1,5	31,5	48	22	22	30	12 x 2	605420	
	16	12	24 x 1,5	31,5	48	22	24	30	12 x 2	605426	
	16	14	24 x 1,5	33	51	24	27	30	12 x 2	605431	
	20	6	30 x 2	36	51	27	17	36	16,3 x 2,4	605406	
	20	8	30 x 2	36	51	27	19	36	16,3 x 2,4	605414	
	20	10	30 x 2	35,5	52	27	22	36	16,3 x 2,4	605421	
	20	12	30 x 2	35,5	52	27	24	36	16,3 x 2,4	605427	
	20	14	30 x 2	37	55	27	27	36	16,3 x 2,4	605432	
	20	16	30 x 2	36,5	55	27	30	36	16,3 x 2,4	605436	
	25	6	36 x 2	38,5	53	32	17	46	20,3 x 2,4	605407	
	25	8	36 x 2	38,5	53	32	19	46	20,3 x 2,4	605415	
	25	10	36 x 2	38	54	32	22	46	20,3 x 2,4	605422	
	25	12	36 x 2	38	54	32	24	46	20,3 x 2,4	605428	
	25	14	36 x 2	39,5	57	32	27	46	20,3 x 2,4	605433	
	25	16	36 x 2	39	57	32	30	46	20,3 x 2,4	605437	
	25	20	36 x 2	39	61	32	36	46	20,3 x 2,4	605440	
	30	8	42 x 2	44	59	41	19	50	25,3 x 2,4	605416	
	30	10	42 x 2	43,5	60	41	22	50	25,3 x 2,4	605423	
	30	12	42 x 2	43,5	60	41	24	50	25,3 x 2,4	605429	
	30	16	42 x 2	44,5	63	41	30	50	25,3 x 2,4	605438	
	30	20	42 x 2	44,5	66	41	36	50	25,3 x 2,4	605441	
	30	25	42 x 2	45	69	41	46	50	25,3 x 2,4	605443	
	38	12	52 x 2	47	63	50	24	60	33,3 x 2,4	605430	
	38	16	52 x 2	48	66	50	30	60	33,3 x 2,4	605439	
38	20	52 x 2	48	70	50	36	60	33,3 x 2,4	605442		
38	25	52 x 2	48,5	73	50	46	60	33,3 x 2,4	605444		
38	30	52 x 2	49	76	50	50	60	33,3 x 2,4	605445		

Continuación de la página anterior.

ADAPTADORES DIN 2353







62. Unión doble con junta tórica

Serie	Bar	Ø Tubo	L2	Exag 1	O'ring	Referencia
L	315	6	34	14	4 x 1,5	603504
		8	34	17	6 x 1,5	603505
		10	36	19	7,5 x 1,5	603506
		12	36	22	9 x 1,5	603507
		15	39	27	12 x 2	603508
		18	40,5	32	15 x 2	603509
	160	22	45	36	20 x 2	603510
		28	47	41	26 x 2	603511
		35	53	50	32 x 2,5	603512
		42	53	60	38 x 2,5	603513
S	630	6	37	17	4 x 1,5	603514
		8	37	19	6 x 1,5	603515
		10	41	22	7,5 x 1,5	603516
		12	42	24	9 x 1,5	603517
		14	45	27	10 x 2	603518
	400	16	46	30	12 x 2	603519
		20	55	36	16,3 x 2,4	603520
		25	58	46	20,3 x 2,4	603521
		30	62	50	25,3 x 2,4	603522
		315	38	67	60	33,3 x 2,4

ENCHUFES RÁPIDOS

	ISO-A	Pág. 123
	ISO-B	Pág. 125
	ISO-A CIERRE BOLA	Pág. 128
	PSH	Pág. 129
	PSM	Pág. 130
	TNS	Pág. 132
	IFR	Pág. 133
	TFH	Pág. 134
	TVZ	Pág. 136
	CPR	Pág. 137
	CPR CURP	Pág. 139
	HPA	Pág. 141
	STG	Pág. 143

VÁLVULAS

	V2RH	Pág. 144
	V2MT	Pág. 145
	V2RD	Pág. 146
	V3RH	Pág. 148

ANTIRETORNOS

	VPC	Pág. 150
	ATR	Pág. 151

SERIE ISO-A ACERO CARBONO

Usos: Aplicaciones agrícolas; sobre todo en tractores, industrial en general y transporte de cargas pesadas.

Norma: ISO 7241-A, ISO 5675

Fabricado según la norma ISO 7241-A, medida DN13 según los requisitos de la norma ISO 5675. Disponible con válvula de punzón o de bola como sistema de cierre. Roscas BSP, NPTF, SAE/ORB. Otras bajo pedido.

Materiales:	Aplicaciones:	Equivalencias:	Temperaturas (°C):
Cuerpo: Acero al carbono EN-10277-3	Diseñado para Aceite Hidráulico.	FASTER ANV	NBR (+100, -30)
Tóricas: NBR, Vitón o EPDM	Aplicaciones según la normativa Euro-pea 97.23.EC	AEROQUIP FD56	Viton (+200, -10)
Antiextrusión: PTFE		PARKER 6600	EPDM (+150, -40)
Bolas: AISI 1010/1015		SNAP-TITE 61	
Muelles: acero al carbono DIN 17233/84(B)			

Macho

DN	CH1	L1	ØF	L
06	19	38	11,80	76
10	22	40,50	17,25	81
13	27	46	20,56	87,50
	30	-		
20	36	56	29	112
25	41	63	34,30	126
32	50	75	44,95	150
40	60	83,5	55	167

Hembra

DN	CH1	L2	ØD	L
06	19	52	26	76
10	24	58,50	32	81
13	30	63,50	38	87,50
20	38	83,50	46	112
25	46	97	55	126
32	50	117	70	150
40	60	133	84,50	167

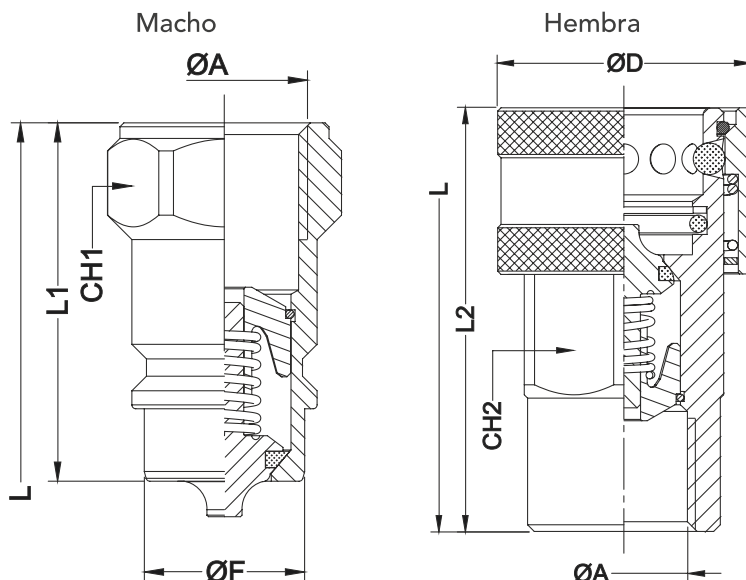
Especificaciones técnicas:

DN	Presión de rotura (bar)			Pres. trab.
	M	H	Conex.	
06	38	11,80	76	76
10	40,50	17,25	81	81
13	46	20,56	87,50	87,50
20	56	29	112	112
25	63	34,30	126	126
32	75	44,95	150	150
40	83,5	55	167	167

Modelos estándar

DN	ØA	REF. MACHO	REF. HEMBRA	PRES. (BAR)
06	1/4" BSP	7622-04-04HG1	7621-04-04HG1	350
10	3/8" BSP	7622-06-06HG1	7621-06-06HG1	300
13	1/2" BSP	7622-08-08HG1	7621-08-08HG1	300
20	3/4" BSP	7622-12-12HG1	7621-12-12HG1	250
25	1" BSP	7622-16-16HG1	7621-16-16HG1	230
32	1 1/4" BSP	7622-20-20HG1	7621-20-20HG1	230
40	1 1/2" BSP	7622-24-24HG1	7621-24-24HG1	200

* Referencias con roscas NPT y SAE a consultar.



SERIE ISO-A
 AISI 303 / AISI 316 / LATÓN

Usos: Aplicaciones agrícolas; sobre todo en tractores, industrial en general y transporte de cargas pesadas.

Norma: ISO 7241-A, ISO 5675

Fabricado según la norma ISO 7241-A, medida DN13 según los requisitos de la norma ISO 5675. Disponible con válvula de punzón o de bola como sistema de cierre. Roscas BSP, NPTF, SAE/ORB. Otras bajo pedido.

Materiales:

Cuerpo: AISI 303 / AISI316 /
 LATÓN DIN-EN-12164
 Tóricas: NBR, Vitón o EPDM
 Antiextrusión: PTFE
 Bolas: AISI 316W 14401
 Muelles: AISI302 DIN 17224

Aplicaciones:

Diseñado para
 Aceite Hidráulico.
 Aplicaciones según
 la normativa Euro-
 pea 97.23.EC

Equivalencias:

FASTER ANV
 AEROQUIP FD56
 PARKER 6600
 SNAP-TITE 61

Temperaturas (°C):

NBR (+100, -30)
 Viton (+200, -10)
 EPDM (+150, -40)

Macho

DN	CH1	L1	ØF	L
06	19	38	11,80	76
10	22	40,50	17,25	81
13	27	46	20,56	87,50
	30	-		
20	36	56	29	112
25	41	63	34,30	126

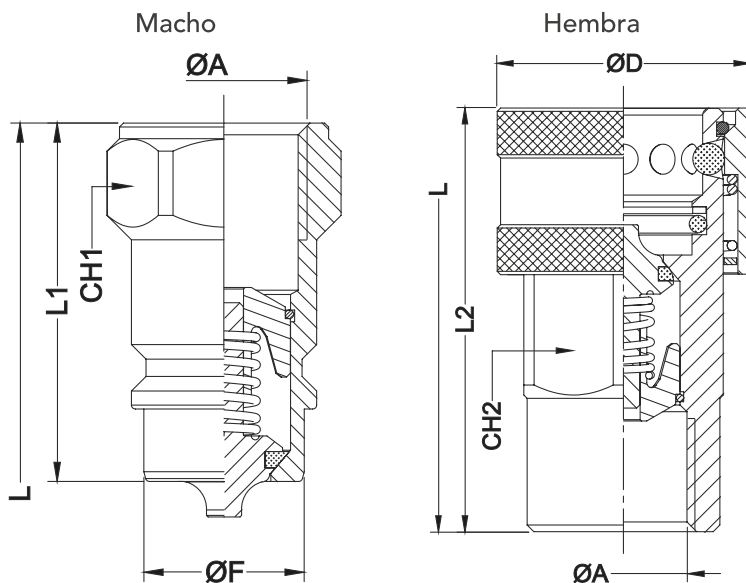
Hembra

DN	CH1	L2	ØD	L
06	19	52	26	76
10	24	58,50	32	81
13	30	63,50	38	87,50
20	38	83,50	46	112
25	46	97	55	126

Modelos estándar

DN	ØA	REF.		PRES. (BAR)
		MACHO	HEMBRA	
06	1/4" BSP	7622-04-04HG2	7621-04-04HG2	350
10	3/8" BSP	7622-06-06HG2	7621-06-06HG2	300
13	1/2" BSP	7622-08-08HG2	7621-08-08HG2	300
20	3/4" BSP	7622-12-12HG2	7621-12-12HG2	250
25	1" BSP	7622-16-16HG2	7621-16-16HG2	230

* Referencias con roscas NPT y SAE a consultar.



SERIE ISO-B ACERO CARBONO

Usos: Industrial y ****

Norma: ISO 7241-B

Fabricado según la norma ISO 7241-A. Disponible con válvula de punzón o de bola como sistema de cierre. Roscas BSP, NPTF, SAE/ORB. Otras bajo pedido.

Materiales:

Cuerpo: Acero al carbono EN-10277-3
Tóricas: NBR, Vitón o EPDM
Antiextrusión: PTFE
Bolas: AISI 1010/1015
Muelles: Acero al carbono DIN 17233/84(B)

Aplicaciones:

Diseñado para Aceite Hidráulico. Aplicaciones según la normativa Europea 97.23.EC

Equivalencias:

FASTER H
AEROQUIP FD45
PARKER 60
SNAP-TITE 72

Temperaturas (°C):

NBR (+100, -30)
Vitón (+200, -10)
EPDM (+150, -40)

Macho

DN	CH1	L1	ØF	L
06	19	36	14,20	72
10	24	40,50	19,10	81
13	27	46	23,55	92
20	36	56	31,45	112
25	41	63	37,80	126

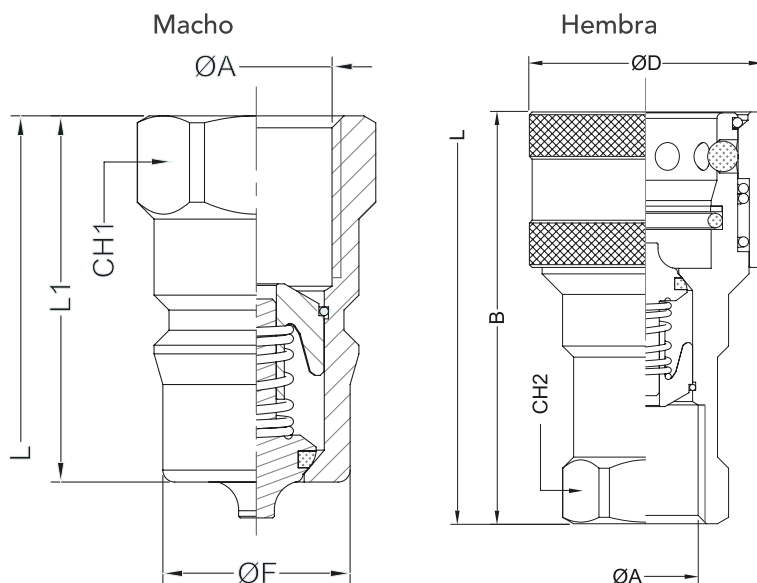
Hembra

DN	CH2	L2	ØD	L
06	19	57,70	27	72
10	24	65,50	35	81
13	27	74	42	92
20	36	90	52	112
25	41	103	60	126

Modelos estándar (acero carbono)

DN	ØA	REF. MACHO	REF. HEMBRA	PRES. (BAR)
06	1/4" BSP	7822-04-04HG1	7821-04-04HG1	380
10	3/8" BSP	7822-06-06HG1	7821-06-06HG1	350
13	1/2" BSP	7822-08-08HG1	7821-08-08HG1	320
20	3/4" BSP	7822-12-12HG1	7821-12-12HG1	300
25	1" BSP	7822-16-16HG1	7821-16-16HG1	280

* Referencias con roscas NPT y SAE a consultar.



SERIE ISO-B
AISI 316

Usos: Químico, naval, minero y alimenticio.

Norma: ISO 7241-B

Fabricado según la norma ISO 7241-A. Disponible con válvula de punzón o de bola como sistema de cierre. Roscas BSP, NPTF, SAE/ORB. Otras bajo pedido.

Materiales:

Cuerpo: AISI 316
Tóricas: NBR, Vitón o EPDM
Antiextrusión: PTFE
Bolas: AISI 316 W. 14401
Muelles: AISI 302 DIN 17224

Aplicaciones:

Diseñado para Aceite Hidráulico. Aplicaciones según la normativa Europea 97.23.EC

Equivalencias:

FASTER H
AEROQUIP FD45
PARKER 60
SNAP-TITE 72

Temperaturas (°C):

NBR (+100, -30)
Viton (+200, -10)
EPDM (+150, -40)

Macho

DN	CH1	L1	ØF	L
06	19	36	14,20	72
10	24	40,50	19,10	81
13	27	46	23,55	92
20	36	56	31,45	112
25	41	63	37,80	126

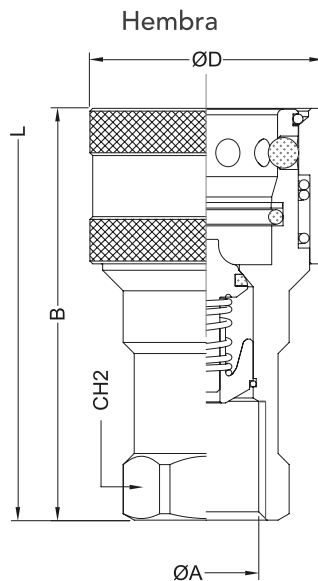
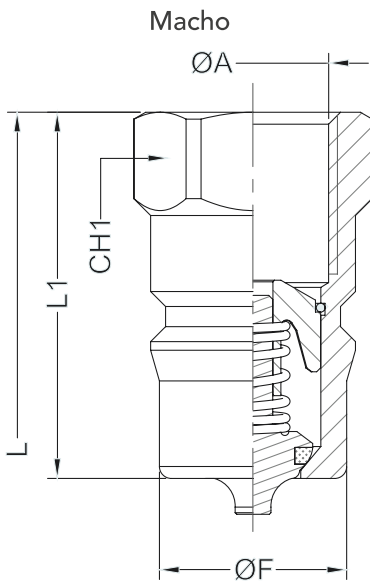
Hembra

DN	CH2	L2	ØD	L
06	19	57,70	27	72
10	24	65,50	35	81
13	27	74	42	92
20	36	90	52	112
25	41	103	60	126

Modelos estándar (AISI 316)

DN	ØA	REF. MACHO	REF. HEMBRA	PRES. (BAR)
06	1/4" BSP	7822-04-04HG2	7821-04-04HG2	300
10	3/8" BSP	7822-06-06HG2	7821-06-06HG2	280
13	1/2" BSP	7822-08-08HG2	7821-08-08HG2	260
20	3/4" BSP	7822-12-12HG2	7821-12-12HG2	250
25	1" BSP	7822-16-15HG2	7821-16-15HG2	210

* Referencias con roscas NPT y SAE a consultar.



SERIE ISO-B LATÓN

Norma: ISO 7241-B

Fabricado según la norma ISO 7241-A. Disponible con válvula de punzón o de bola como sistema de cierre. Roscas BSP, NPTF, SAE/ORB. Otras bajo pedido.

Materiales:

Cuerpo: Latón CuZn39Pb3
Antiextrusión: PTFE
Bolas: AISI316 W. 14401
Muelles: AISI 302 DIN 17224

Aplicaciones:

Diseñado para
Aceite Hidráulico.
Aplicaciones según
la normativa Euro-
pea 97.23.EC

Equivalencias:

FASTER H
AEROQUIP FD45
PARKER 60
SNAP-TITE 72

Temperaturas (°C):

NBR (+100, -30)
Viton (+200, -10)
EPDM (+150, -40)

Macho

DN	CH1	L1	ØF	L
06	19	36	14,20	72
10	24	40,50	19,10	81
13	27	46	23,55	92
20	36	56	31,45	112
25	41	63	37,80	126

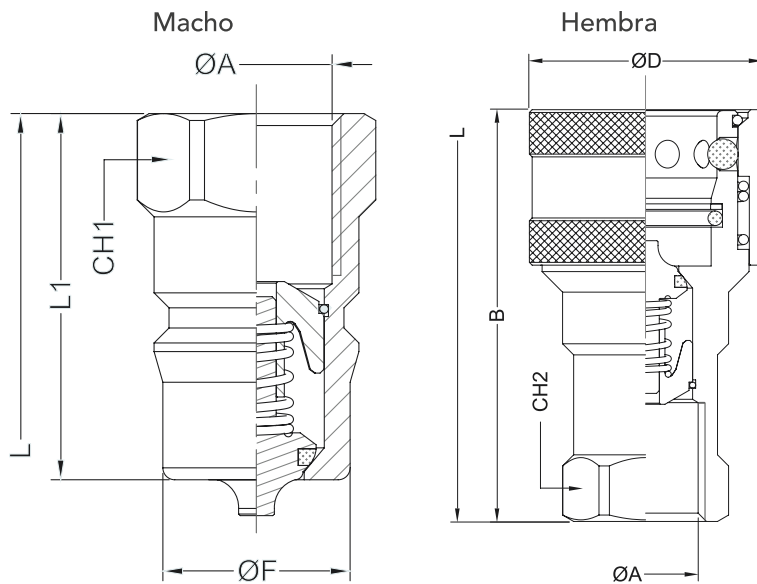
Hembra

DN	CH2	L2	ØD	L
06	19	57,70	27	72
10	24	65,50	35	81
13	27	74	42	92
20	36	90	52	112
25	41	103	60	126

Modelos estándar (LATÓN)

DN	ØA	REF. MACHO	REF. HEMBRA	PRES. (BAR)
06	1/4" BSP	7822-04-04HG4	7821-04-04HG4	200
10	3/8" BSP	7822-06-06HG4	7821-06-06HG4	200
13	1/2" BSP	7822-08-08HG4	7821-08-08HG4	200
20	3/4" BSP	7822-12-12HG4	7821-12-12HG4	150
25	1" BSP	7822-16-16HG4	7821-16-16HG4	180

* Referencias con roscas NPT y SAE a consultar.



SERIE ISO-A CIERRE BOLA
 ACERO CARBONO

Usos: Aplicaciones agrícolas e industriales.

Norma: ISO 5675, ISO 7241-A

Fabricado según la norma ISO 5675, medida DN13 según los requisitos de la norma ISO 7241-A. Disponible con válvula de bola como sistema de cierre. Roscas BSP, NPTF, SAE/ORB. Otras bajo pedido.

Materiales:

Cuerpo: Acero al carbono EN -10277-3, AISI 303 / AISI 316 / Latón DIN EN-12164
 Tóricas: NBR, Vitón o EPDM
 Antiextrusión: PTFE
 Bolas: AISI 1010/1015
 Muelles: Acero al carbono DIN 17233/84(B)

Aplicaciones:

Diseñado para Aceite Hidráulico. Aplicaciones según la normativa Europea 97.23.EC

Equivalencias:

FASTER NV-NS
 AEROQUIP FD76
 PARKER 4000
 SNAP-TITE 60

Temperaturas (°C):

NBR (+100, -30)
 Viton (+200, -10)
 EPDM (+150, -40)

Macho

DN	CH1	L1	ØF	L
06	19	36	14,20	72
10	24	40,50	18,95	81
13	27	46	20,56	87,50
		48		89,50
	30	50	91,50	
20	36	56	27,95	112
25	41	63	31,30	126

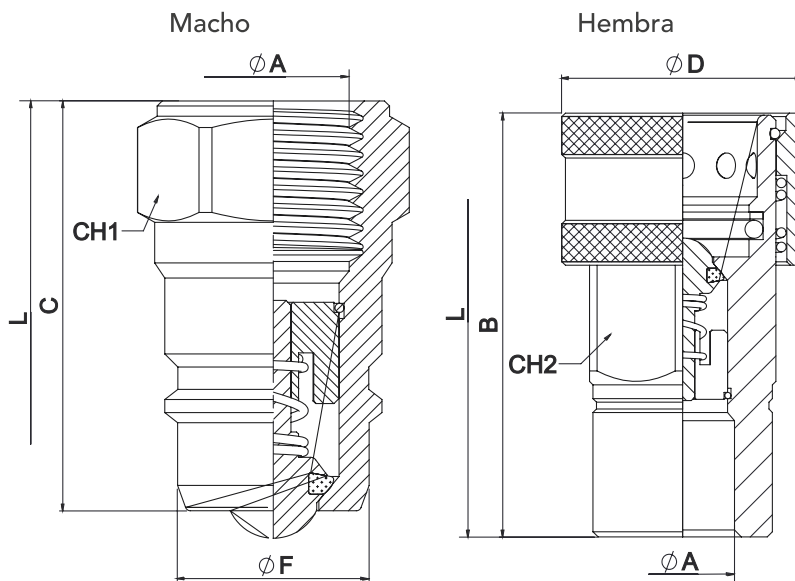
Hembra

DN	CH2	L2	ØD	L
06	22	53,50	27	72
10	27	61	35	81
13	30	63,50	38	87,50
				89,50
			91,50	
20	38	85	48	112
25	46	96,50	55	126

Modelos estándar (bola)

DN	ØA	REF. MACHO	REF. HEMBRA	PRES. (BAR)
06	1/4" BSP	8622-04-04HG1	8621-04-04HG1	350
10	3/8" BSP	8622-06-06HG1	8621-06-06HG1	300
13	1/2" BSP	8622-08-08HG1	8621-08-08HG1	300
20	3/4" BSP	8622-12-12HG1	8621-12-12HG1	250
25	1" BSP	8622-16-16HG1	8621-16-16HG1	220

* Referencias con roscas NPT y SAE a consultar.



SERIE PSH ACERO CARBONO

Usos: Aplicaciones agrícolas e industriales y transporte de cargas pesadas.

Norma: ISO 5675, ISO 7241-A

Fabricado según la norma ISO 7241-A, medida DN13 según los requisitos de la norma ISO 5675. Disponible con válvula de punzón o bola como sistema de cierre. Roscas BSP, NPTF, SAE/ORB. Otras bajo pedido.

Materiales:	Aplicaciones:	Equivalencias:	Temperaturas (°C):
Cuerpo: Acero al carbono EN -10277-3	Diseñado para	FASTER PV / CPV	NBR (+100, -30)
Tóricas: NBR, Vitón o EPDM	Aceite Hidráulico.	ARGUS SVK	Viton (+200, -10)
Antiextrusión: PTFE	Aplicaciones según	PARKER 4200	EPDM (+150, -40)
Bolas: AISI 1010/1015	la normativa Euro-		
Muelles: Acero al carbono DIN 17233/84(B)	pea 97.23.EC		

Macho

DN	CH1	L1	ØF	L
13	27	46	20,56	87,50
		48		89,50
	30	50		91,50

Hembra

DN	CH2	L2	ØD	L
13	27	63,50	37,80	87,50

Modelos estándar (macho)

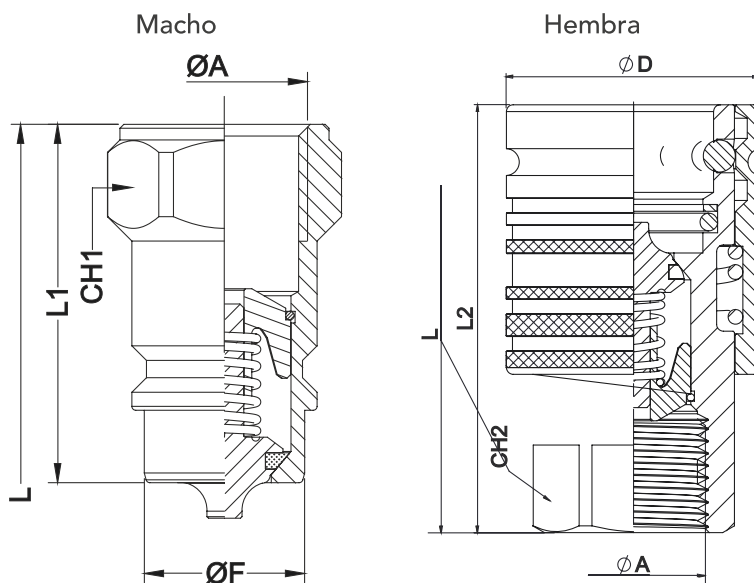
DN	ØA	REF. MACHO	PRES. (bar)
13	1/2" BSP	7622-08-08HG1	300

* Referencias con roscas NPT, métrica y SAE a consultar.

Modelos estándar (hembra)

DN	ØA	REF. HEMBRA	PRES. (bar)
13	1/2" BSP	7621-08-08HG1	300

* Referencias con roscas NPT y métrica a consultar.



SERIE PSM
PDIN2353 ROSCAS

Usos: Aplicaciones agrícolas. Sobre todo en tractores, industrial en general y transporte de cargas pesadas.

Norma: ISO 5675, ISO 7241-A

Fabricado según la norma ISO 7241-A, medida DN13 según los requisitos de la norma ISO 5675 Disponible con válvula de punzón o bola como sistema de cierre. Roscas DIN2353. Otras bajo pedido.

Materiales:

Cuerpo: Acero al carbono EN -10277-3, AISI 303 / AISI 316 / Latón DIN EN-12164
Tóricas: NBR
Antiextrusión: PTFE
Bolas: AISI 1010/1015
Muelles: Acero al carbono DIN 17233/84(B)

Aplicaciones:

Diseñado para Aceite Hidráulico. Aplicaciones según la normativa Europea 97.23.EC

Equivalencias:

FASTER PV 9 CPV
ARGUS SVK
PARKER 4200

Temperaturas (°C):

NBR (+100, -30)
Viton (+200, -10)
EPDM (+150, -40)

Macho

DN	CH1	L1	ØF	L	E
10	22	49,57	17,30	97,07	12
13	27	56	20,56	105,8	12
	30	79		151,8	35

Hembra

DN	CH1	L1	ØF	L	E
10	22	65,5	31	97,07	12
13	27	71,8	20,56	105,8	12
	30	94,8		151,8	35

Modelos estándar (macho)

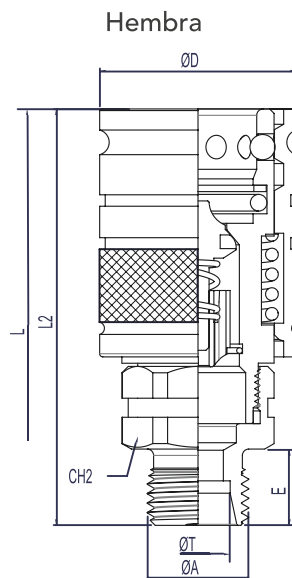
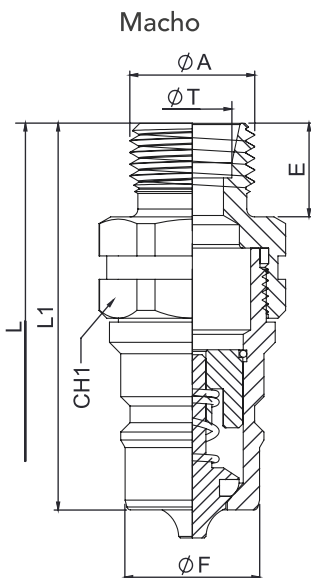
DN	ØA	ØT	REF. HEMBRA	PRES. (BAR)
10	M16x1,5	10L	7522-06-10L	250
	M14x1,5	8L	7522-08-08L	
	M16x1,5	10L	7522-08-10L	
	M18x1,5	12L	7522-08-12L	
	M22x1,5	15L	7522-08-15L	
13	M26x1,5	18L	7522-08-18L	250
	M18x1,5	10S	7522-08-10S	
	M20x1,5	12S	7522-08-12S	
	M22x1,5	14S	7522-08-14S	
	M24x1,5	16S	7522-08-16S	
	M30x2	20S	7522-08-20S	

Modelos estándar (hembra)

DN	ØA	ØT	REF. HEMBRA	PRES. (BAR)
10	M16x1,5	10L	7521-06-10L	250
	M14x1,5	8L	7521-08-08L	
	M16x1,5	10L	7521-08-10L	
	M18x1,5	12L	7521-08-12L	
	M22x1,5	15L	7521-08-15L	
13	M26x1,5	18L	7521-08-18L	250
	M18x1,5	10S	7521-08-10S	
	M20x1,5	12S	7521-08-12S	
	M22x1,5	14S	7521-08-14S	
	M24x1,5	16S	7521-08-16S	
	M30x2	20S	7521-08-20S	

* Referencias con roscas BSP a consultar. Disponible también en pasatabiques.

* Referencias con roscas BSP a consultar. Disponible también en pasatabiques.



SERIE PSM

DIN3852 BSP/NPTF/ORB

Usos: Aplicaciones agrícolas. Sobre todo en tractores, industrial en general y transporte de cargas pesadas.

Norma: ISO 5675, ISO 7241-A

Fabricado según la norma ISO 7241-A, medida DN13 según los requisitos de la norma ISO 5675 Disponible con válvula de punzón o bola como sistema de cierre. Roscas DIN2353. Otras bajo pedido.

Materiales:	Aplicaciones:	Equivalencias:	Temperaturas (°C):
Cuerpo: Acero al carbono EN -10277-3, AISI 303 / AISI 316 / Latón DIN EN-12164	Diseñado para Aceite Hidráulico.	FASTER PV 9 CPV	NBR (+100, -30)
Tóricas: NBR	Aplicaciones según la normativa Euro-pea 97.23.EC	ARGUS SVK	Viton (+200, -10)
Antiextrusión: PTFE		PARKER 4200	EPDM (+150, -40)
Bolas: AISI 1010/1015			
Muelles: Acero al carbono DIN 17233/84(B)			

Macho

DN	ØA	CH1	L1	ØF	L
13	3/8" BSP	27	60	20,56	113,80
	1/2" BSP	27	60		113,80

* Referencias con roscas NPT, métricas y SAE a consultar.

Modelos estándar (macho)

DN	ØA	REF. HEMBRA	PRES. (BAR)
13	3/8 BSP	7522-08-06HG1	250
	1/2" BSP	7522-08-08HG1	

* Referencias con roscas NPT, métricas y SAE a consultar.

Hembra

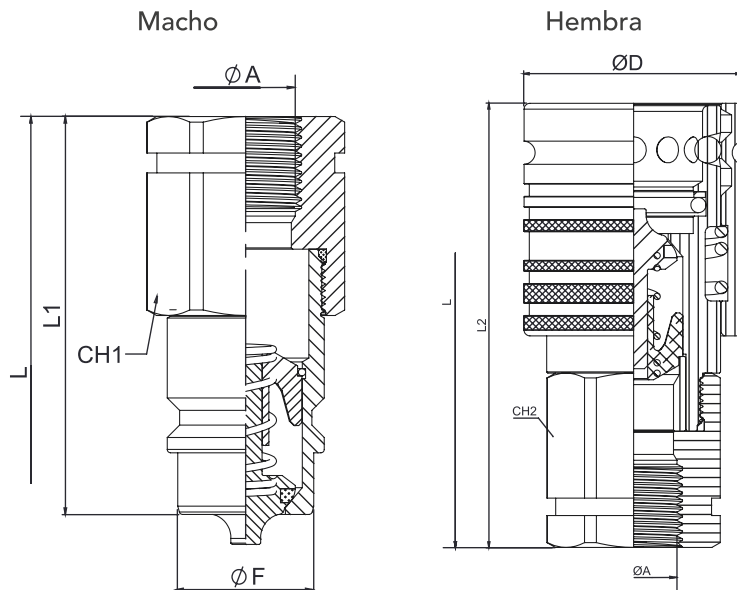
DN	ØA	CH2	L2	ØF	L
13	3/8" BSP	27	75,80	37,80	113,80
	1/2" BSP	27	75,80		113,80

* Referencias con roscas NPT, métricas y SAE a consultar.

Modelos estándar (hembra)

DN	ØA	REF. HEMBRA	PRES. (BAR)
13	3/8" BSP	7521-08-06HG1	250
	1/2" BSP	7521-08-08HG1	

* Referencias con roscas NPT, métricas y SAE a consultar.



SERIE TNS

Usos: Aplicaciones agrícolas, sobre todo en tractores, industrial en general y transporte de cargas pesadas.

Norma: ISO 5675, ISO 7241-A

Fabricado según la norma ISO 7241-A, medida DN13 según los requisitos de la norma ISO 5675 Disponible con válvula de punzón y CURP.

Materiales:

Cuerpo: Acero al carbono EN -10277-3,
 Tóricas: NBR
 Antiextrusión: PTFE
 Bolas: AISI 1010/1015
 Muelles: Acero al carbono DIN 17233/84(B)

Aplicaciones:

Diseñado para
 Aceite Hidráulico.
 Aplicaciones según
 la normativa Euro-
 peá 97.23.EC

Equivalencias:

ISO 1241-A

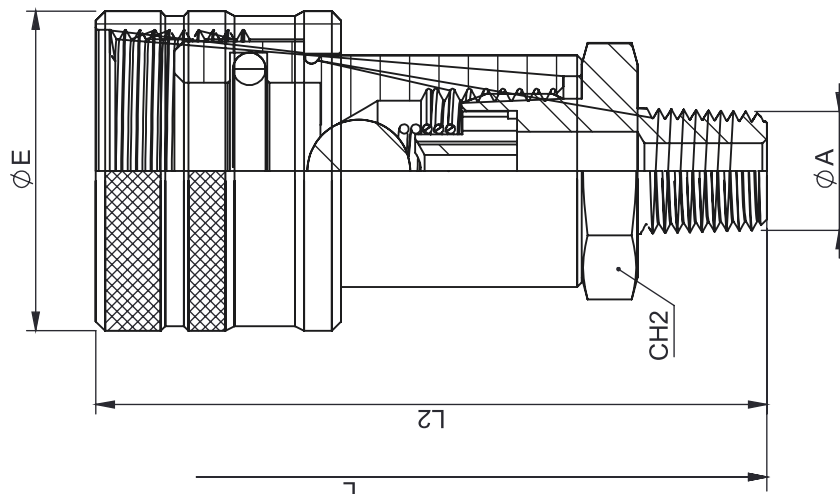
Temperaturas (°C):

NBR (+100, -30)
 Viton (+200, -10)
 EPDM (+150, -40)

Macho

DN	ØA	Rosca M-H	Norma	Ref.	Bar	L	CH1
13	1/2" BSP	HEMBRA	DIN 3852-2-X	7121-08-08HG1	250	107,3	32
	1/2" BSP	MACHO	DIN 3852	7121-08-08MG1	250	109,3	32

* Referencias con roscas NPT, métricas y SAE a consultar.



Indicaciones:

- Cuando el macho y la hembra están conectados, estas pueden rotar entre si mismas evitando torsiones en las mangueras flexibles.
- Intercambiable con la serie RSD (Parker) y la serie 3CFPV (Faster).
- Conexión bajo norma ISO 7241-A.
- Conexión y desconexión con presión estática de máximo 250 bars en la parte del macho.
- Conexión y desconexión con presión estática de máximo 250 bars en ambas partes en la versión C.U.R.P.
- Válvula de acero templado.
- Tipo de conexión: Push Pull.
- Disponible en una amplia gama de roscas.
- La válvula se bloquea automáticamente en caso de corte en la línea evitando un retorno de fluido excesivo a altas velocidades.

SERIE IFR

DIN 2353 SAE - DIN 3852/BSP

Usos: Aplicaciones agrícolas. Sobre todo en remolques.

Norma: ISO 5675 / ISO / TC23 / NFU 16006

Fabricado según las normas ISO 5675 / ISO / TC23 / NFU 16006. Roscas BSP, DIN2353, SAE/ORB. Otras bajo pedido

Materiales:

Cuerpo: Acero al carbono EN -10277-3,
Tóricas: NBR, Vitón o EPDM
Bolas: AISI 316W 14401
Muelles: Acero al Carbono DIN17233/84(B)

Aplicaciones:

Diseñado para
Aceite Hidráulico.
Aplicaciones según
la normativa Euro-
pea 97.23.EC

Equivalencias:

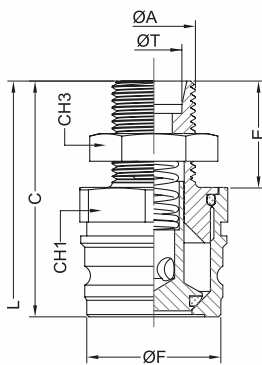
FASTER VF
GROMELLE Q-9000

Temperaturas (°C):

NBR (+100, -30)
Vitón (+200, -10)
EPDM (+150, -40)

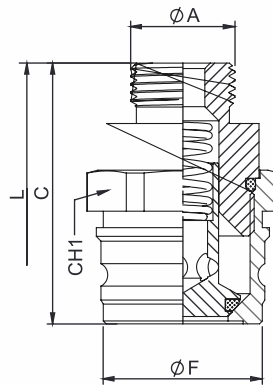
Macho 1

DN	CH1	CH3	C	ØF	E	L
13	32	$\frac{24}{27}$	51	29	23	*



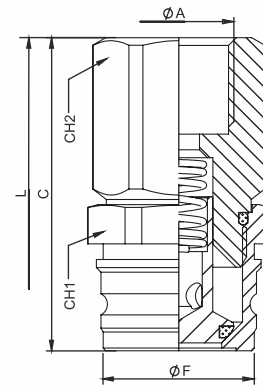
Macho 2

DN	CH1	C	ØF	E	L
13	32	43	29	15	*



Macho 3

DN	CH1	CH3	C	ØF	E	L
13	32	$\frac{24}{27}$	51	29	31	*



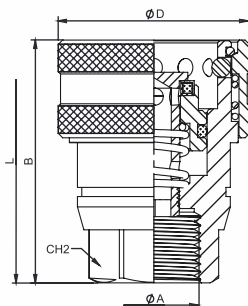
Modelos estándar (macho)

DN	ØA	ØT	REFERENCIA	PRES. (BAR)
13	1/2 BSP	-	7322-08-08IFR	

* Otras referencias con roscas BSP y métricas a consultar.

Hembra

DN	CH2	B	ØD	L
13	27	57	45	*



Modelos estándar (hembra)

DN	ØA	REF. HEMBRA	PRES. (BAR)
	1/2" BSP	7321-08-08IFR	

* Otras referencias con roscas BSP y métricas a consultar.

SERIE TFH
ACERO CARBONO

Usos: Aplicaciones industriales, papelera, transporte de mercancías peligrosas y pesadas. Volquetes Volvo y Fruehauf.

Norma: ISO 5675 / ISO / TC23 / NFU 16006

Disponible con válvula de punzón y sistema CURP. Roscas BSPT, DIN 2353, DIN 3852, SAE / ORB y otras bajo pedido. Modelos en AISI 316 disponibles bajo cantidades mínimas.

Materiales:

Cuerpo: Acero al carbono EN -10277-3,
 Tóricas: NBR, Vitón o EPDM
 Antiextrusión: PTFE
 Bolas: AISI 1010/1015
 Muelles: Acero al Carbono DIN 17233/84(B)

Aplicaciones:

Diseñado para
 Aceite Hidráulico.
 Aplicaciones según
 la normativa Euro-
 pea 97.23.EC

Equivalencias:

RECTUS TEMA T -
 SERIES
 CEJN Series 525

Temperaturas (°C):

NBR (+100, -30)
 Viton (+200, -10)
 EPDM (+150, -40)

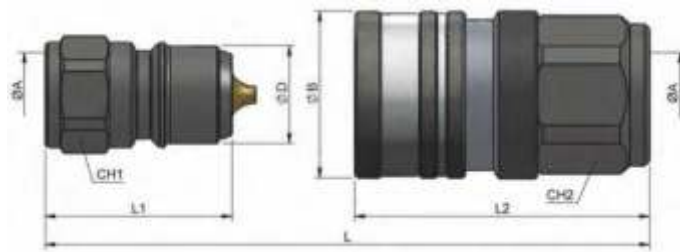
3/8" DN10

Modelos estándar (macho)

DN	ØA	REF	BAR	CH1	ØD	L1	L
10	3/8" BSP	7422-06-06HG1	350	22	19,85	38	74

Modelos estándar (hembra)

DN	ØA	REF	BAR	CH2	CH3	L2	L
10	3/8" BSP	7421-06-06HG1	350	30	34	60	74



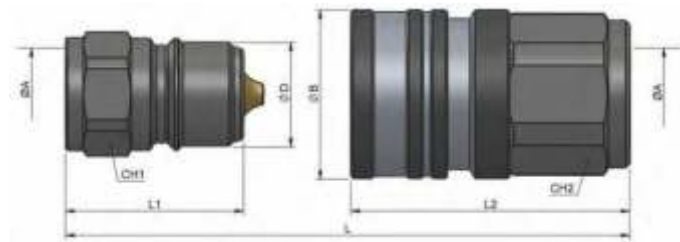
1/2" DN13

Modelos estándar (macho)

DN	ØA	REF	BAR	CH1	ØD	L1	L
13	1/2" BSP	7422-08-08HG1	300	27	24,7	41,5	82

Modelos estándar (hembra)

DN	ØA	REF	BAR	CH2	CH3	L2	L
13	1/2" BSP	7421-08-08HG1	300	36	40	65	82



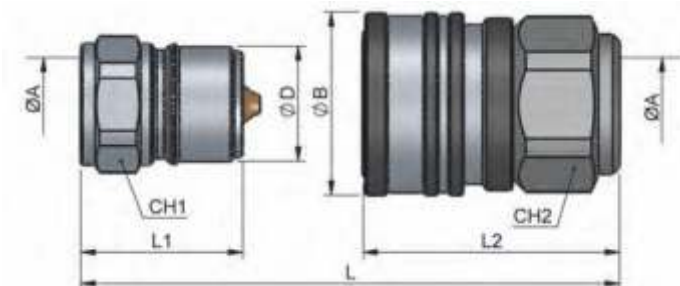
3/4" DN20

Modelos estándar (macho)

DN	ØA	REF	BAR	CH1	ØD	L1	L
20	3/4" BSP	7422-12-12HG1	280	36	32,7	46	91

Modelos estándar (hembra)

DN	ØA	REF	BAR	CH2	CH3	L2	L
20	3/4" BSP	7421-12-12HG1	280	46	52	72	91



SERIE TFH ACERO CARBONO

Usos: Aplicaciones industriales, papelera, transporte de mercancías peligrosas y pesadas. Volquetes Volvo y Fruehauf.

Norma: ISO 5675 / ISO / TC23 / NFU 16006

Disponible con válvula de punzón y sistema CURP. Roscas BSPT, DIN 2353, DIN 3852, SAE / ORB y otras bajo pedido. Modelos en AISI 316 disponibles bajo cantidades mínimas.

Materiales:	Aplicaciones:	Equivalencias:	Temperaturas (°C):
Cuerpo: Acero al carbono EN -10277-3, Tóricas: NBR, Vitón o EPDM Antiextrusión: PTFE Bolas: AISI 1010/1015 Muelles: Acero al Carbono DIN 17233/84(B)	Diseñado para Aceite Hidráulico. Aplicaciones según la normativa Euro- pea 97.23.EC	RECTUS TEMA T - SERIES CEJN Series 525	NBR (+100, -30) Vitón (+200, -10) EPDM (+150, -40)

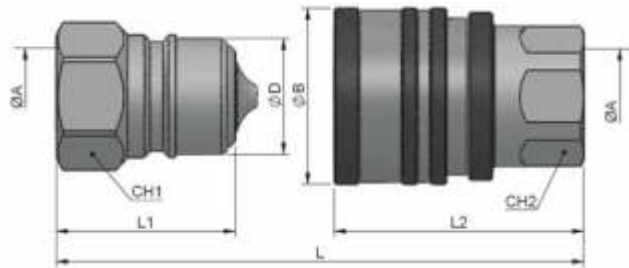
1" DN25

Modelos estándar (macho)

DN	ØA	REF	BAR	CH1	ØD	L1	L
25	1"BSP	7422-16-16HG1	250	46	40,8	63	115,4

Modelos estándar (hembra)

DN	ØA	REF	BAR	CH2	CH3	L2	L
25	1"BSP	7421-16-16HG1	250	46	62	88	115,4



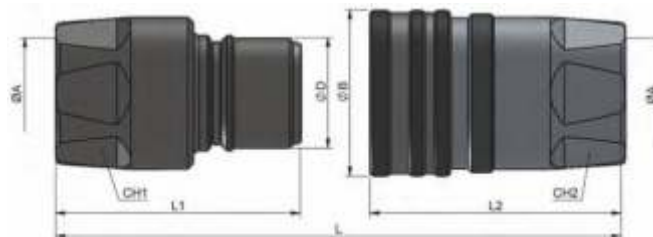
1 1/2" DN40

Modelos estándar (macho)

DN	ØA	REF	BAR	CH1	ØD	L1	L
40	1 1/2"BSP	7422-24-24HG1	200	60	48,5	107	173

Modelos estándar (hembra)

DN	ØA	REF	BAR	CH2	CH3	L2	L
40	1 1/2"BSP	74221-24-24HG1	200	60	73	112	173



SERIE TVZ
 DIN 2353 SAE - DIN 3852/BSP

Usos: Aplicaciones industriales, transportes pesados y en volquetes basculantes.

Fabricado según los requisitos de las empresas fabricantes de camiones más importantes.

Materiales:

Cuerpo: Acero al carbono EN-10277-3
 Tóricas: NBR, Vitón o EPDM
 Antiextrusión: PTFE
 Bolas: AISI 1010/1015
 Muelles: Acero al Carbono DIN17233/84(B)

Aplicaciones:

Diseñado para
 Aceite Hidráulico.
 Aplicaciones según
 la normativa Euro-
 pea 97.23.EC

Equivalencias:

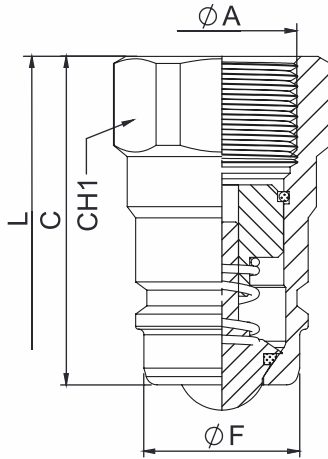
TALLERES ARIZA

Temperaturas (°C):

NBR (+100, -30)
 Viton (+200, -10)
 EPDM (+150, -40)

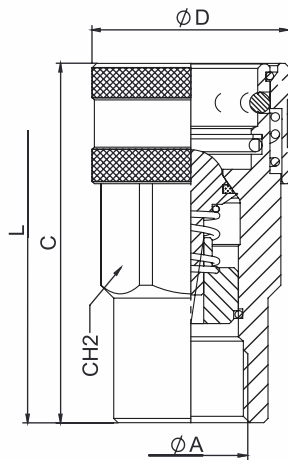
Macho

DN	ØA	CH1	C	ØF	L	REF
20	3/4" BSP	36	59	28	117,50	8722-12-12HG1
25	1" BSP	41	72	36,5	138	8722-16-16HG1



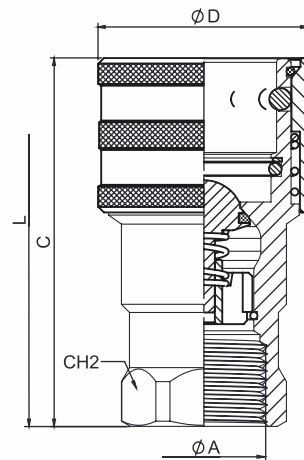
Hembra

DN	ØA	CH2	C	ØD	L	REF
20	3/4" BSP	38	83,5	45,5	117,50	8721-12-12HG1



Hembra

DN	ØA	CH2	C	ØD	L	REF
25	1" BSP	41	105	57,5	138	8721-16-16HG1



SERIE CPR ACERO CARBONO

Usos: Aplicaciones industriales y transportes pesados, minería, plantas químicas y vibradores para olivos.

Norma: ISO 16028

Fabricado según la norma ISO 16028. Válvula plana que evita fugas durante la conexión y la desconexión

Materiales:	Aplicaciones:	Equivalencias:	Temperaturas (°C):
Cuerpo: Acero al carbono EN -10277-3, Tóricas: NBR, Vitón o EPDM Antiextrusión: PTFE Bolas: AISI 1010/1015 Muelles: Acero al carbono DIN 17233/84(B)	Diseñado para Aceite Hidráulico. Aplicaciones según la normativa Euro- pea 97.23.EC	FASTER 2FFI PARKER FEM AEROQUIP FD89 SNAP-TITE 74	NBR (+100, -30) Viton (+200, -10) EPDM (+150, -40)

Macho

DN	CH1	B	ØF	L
04	17	36,35	11,65	68,25
07	22	52,5	16,20	85,50
09	30	60,50	19,80	116,50
13	36	73	24,50	134,50
15	36	73	27	132
17	41	86	30	154
21	55	90	36	173
30	65	111	57	215
45	75	124	73	260

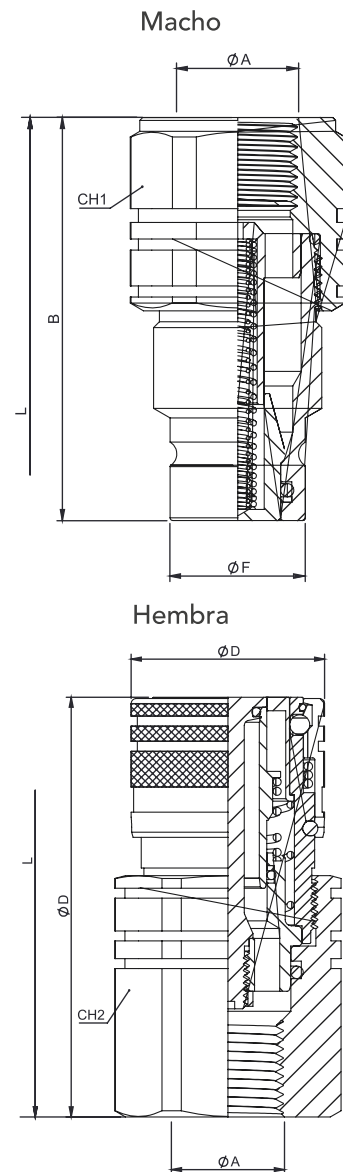
Hembra

DN	CH2	C	ØD	L
04	19	39,85	20	68,25
07	27	59	28	85,50
09	30	73,50	32	116,50
13	41	83,50	38	134,50
15	41	86	42	132
17	46	97,50	48	154
21	55	106	55	173
30	65	132,50	80	215
45	80	175	100	260

Modelos estándar

DN	ØA	REF. MACHO	REF. HEMBRA	PRES. (BAR)
04	1/8" BSP	7642-02-02HG1	7641-02-02HG1	500
07	1/4" BSP	7642-04-04HG1	7641-04-04HG1	500
	3/8" BSP	7642-06-06HG1	7641-06-06HG1	
09	1/2" BSP	7642-08-08HG1	7641-08-08HG1	350
	3/4" -16ORB	7642-08-08HJ1	7641-08-08HJ1	
	1/2" BSP	7642-GC-08HG1	7641-6C-08HG1	
13	3/4" BSP	7642-12-12HG1	7641-12-12HG1	
	7/8" - 14ORB	7642-10-10HJ1	7641-10-10HJ1	
15	3/4" BSP	7642-GC-12HG1	7641-GC-12HG1	330
	1 1/16"-12ORB	7642-12-12HJ1	7641-12-12HJ1	
17	1" BSP	7642-16-16HG1	7641-16-16HG1	
	1 5/16"-12ORB	7642-16-16HJ1	7641-16-16HJ1	
21	1 1/4" BSP	7642-20-20HG1	7641-20-20HG1	300
30	1 1/2" BSP	7642-24-24HG1	7641-24-24HG1	280
45	2" BSP	7642-32-32HG1	7641-32-32HG1	250

* Otras referencias con roscas NPT, métricas y SAE a consultar.



SERIE CPR
ACERO INOXIDABLE

Usos: Aplicaciones industriales y transportes pesados, minería, plantas químicas y vibradores para olivos.

Norma: ISO 16028

Fabricado según la norma ISO 16028. Válvula plana que evita fugas durante la conexión y la desconexión

Materiales:

Cuerpo: Acero inoxidable ASIS 316
Tóricas: NBR, Vitón o EPDM
Antiextrusión: PTFE
Bolas: AISI 1010/1015
Muelles: AISI302 DIN17224

Aplicaciones:

Diseñado para Aceite Hidráulico. Aplicaciones según la normativa Europea 97.23.EC

Equivalencias:

FASTER 2FFI
PARKER FEM
AEROQUIP FD89
SNAP-TITE 74

Temperaturas (°C):

NBR (+100, -30)
Viton (+200, -10)
EPDM (+150, -40)

Macho

DN	CH1	B	ØF	L
04	17	36,35	11,65	68,25
07	22	48	16,20	85,50
09	30	62,50	19,80	116,50
13	36	62,50	24,50	134,50
15	36	70,50	27	132
17	41	82,50	30	154
21	55	90	36	173
30	65	111	57	215
45	75	125	73	

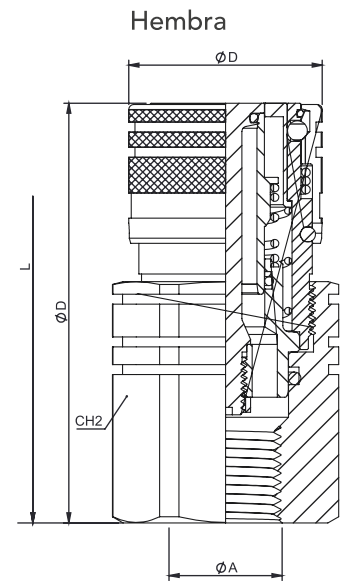
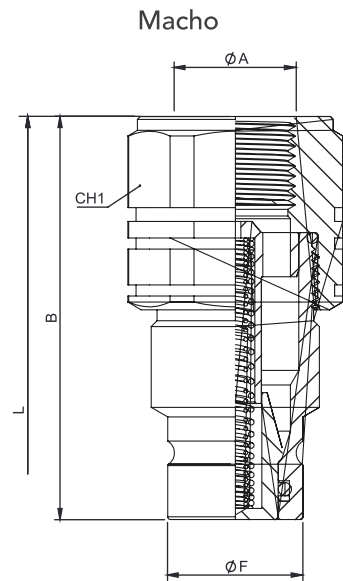
Hembra

DN	CH2	C	ØD	L
04	19	39,85	20	68,25
07	27	59	28	85,50
09	30	73,50	32	116,50
13	41	83,50	38	134,50
15	41	86	42	132
17	46	97,50	48	154
21	55	106	55	173
30	65	132,50	80	215
45	80	175	100	260

Modelos estándar

DN	ØA	REF. MACHO	REF. HEMBRA	PRES. (BAR)
07	1/4" BSP	7642-04-04HG2	7641-04-04HG2	350
09	3/8" BSP	7642-06-06HG2	7641-06-06HG2	250
	1/2" BSP	7642-08-08HG2	7641-08-08HG2	
13	1/2" BSP	7642-GC-08HG2	7641-GC-08HG2	250
	3/4" BSP	7642-12-12HG2	7641-12-12HG2	
15	3/4" BSP	7642-GC-12HG2	7641-GC-12HG2	
17	1" BSP	7642-16-16HG2	7641-16-16HG2	
21	1 1/4" BSP	7642-20-20HG2	7641-20-20HG2	
30	1 1/2" BSP	7642-24-24HG2	7641-24-24HG2	

* Otras referencias con roscas NPT y SAE a consultar.



SERIE CPR CURP ACERO CARBONO

Usos: Aplicaciones industriales y transportes pesados, minería, plantas químicas, vibradores para olivos y martillos hidráulicos.

Norma: ISO 16028

Fabricado según Norma ISO 16028. Diseñado para evitar pérdidas de fluido durante la conexión y desconexión

Materiales:

Cuerpo: Acero al carbono EN -10277-3,
Tóricas: NBR, Vitón o EPDM
Antiextrusión: PTFE
Bolas: AISI 1010/1015
Muelles: Acero al carbono DIN 17233/84(B)

Aplicaciones:

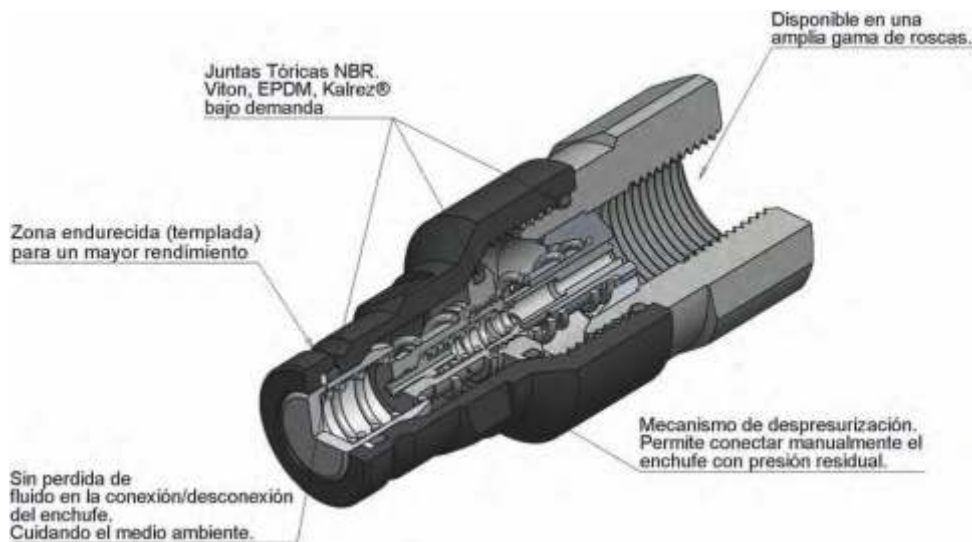
Diseñado para
Aceite Hidráulico.
Aplicaciones según
la normativa Euro-
pea 97.23.EC

Equivalencias:

FASTER 2FFI
PARKER FEM
AEROQUIP FD89
SNAP-TITE 74

Temperaturas (°C):

NBR (+100, -30)
Vitón (+200, -10)
EPDM (+150, -40)



Modelos estándar

DN	Rosca	Referencia	Presión trabajo	Caudal	Máx. Presión Residual	Spillage
09	3/8" BSP	7672-06-06HG1	350 Bar	45 l/min	300 Bar	0,010 ml
13	1/2" BSP	7672-08-08HG1	330 Bar	90 l/min	300 Bar	0,010 ml
15	3/4" BSP	7672-12-12HG1	330 Bar	200 l/min	300 Bar	0,120 ml
17	1" BSP	7672-16-16HG1	330 Bar	300 l/min	250 Bar	0,200 ml
21	1 1/4" BSP	7672-20-20HG1	300 Bar	380l/min	250 Bar	0,250 ml
30	1 1/2" BSP	7672-24-24HG1	280 Bar	750 l/min	200 Bar	0,300 ml

SERIE CPR CONTENEDORES SORTERRADOS
 ACERO CARBONO

Norma: ISO 16028

Fabricado según Norma ISO 16028. Diseñado para evitar pérdidas de fluido durante la conexión y desconexión

Materiales:

Cuerpo: Acero al carbono EN -10277-3,
 Tóricas: NBR, Vitón o EPDM
 Antiextrusión: PTFE
 Bolas: AISI 1010/1015
 Muelles: Acero al carbono DIN 17233/84(B)

Aplicaciones:

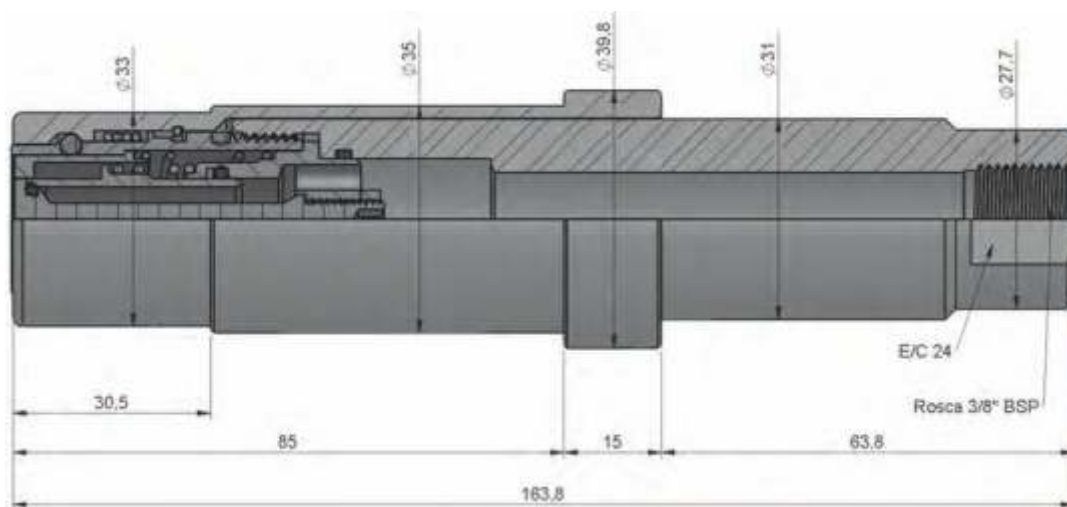
Diseñado para
 Aceite Hidráulico.
 Aplicaciones según
 la normativa Euro-
 pea 97.23.EC

Equivalencias:

FASTER 2FFI
 PARKER FEM
 AEROQUIP FD89
 SNAP-TITE 74

Temperaturas (°C):

NBR (+100, -30)
 Viton (+200, -10)
 EPDM (+150, -40)



Modelos estándar

DN	ØA	Referencia	Presión trabajo	E/C	ØD	L
09	3/8" BSP	7681-06-06HG1	350 Bar	24	33	164

SERIE HPA VÁLVULA PUNZÓN

Usos: Aplicación en sector industrial y papelerero de muy alta presión.

Diseñado para cilindros, bombas de mano y aplicaciones hidráulicas similares. Disponible con válvula de punzón o bola como sistema de cierre. Roscas NPTF. Otras bajo pedido.

Materiales:

Cuerpo: Acero Carbono EN-10277-3 / AISI 316L
 Tóricas: NBR, Vitón o EPDM
 Antiextrusión: PTFE
 Bolas: AISI 1010/1015 / AISI316 W. 14401
 Muelles: Acero al Carbono DIN17233/84(B) / AISI302 DIN 17224

Aplicaciones:

Diseñado para Aceite Hidráulico. Aplicaciones según la normativa Europea 97.23.EC

Equivalencias:

ENERPAC C-604
 CEJN 230
 PARKER 3000

Temperaturas (°C):

NBR (+100, -30)
 Viton (+200, -10)
 EPDM (+150, -40)

Modelos estándar (macho)

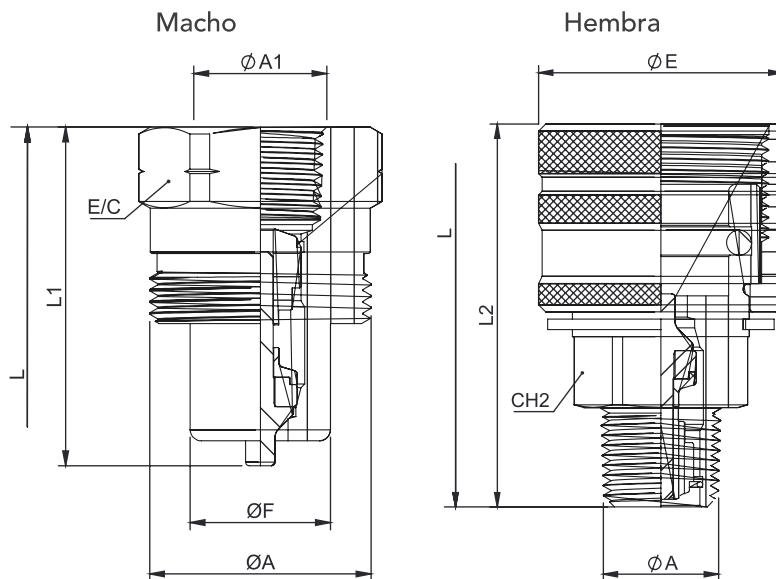
DN	ØA1	REF	Pres. (bar)	E/C	ØG	L1	ØF	L
06	1/4" NPTF	7661-04-04HN1	1200	19	1" UN	38	15,90	60,50
10	3/8" NPTF	7661-06-06HN1	1200	24	1 3/16" UN	44,70	18,99	72,75

* Referencias en acero inoxidable a consultar.

Modelos estándar (hembra)

DN	ØA1	REF	Pres. (bar)	E/C	ØG	L1	ØF	L
06	1/4" NPTF M.	7662-04-04MN1	1200	17	41	30	60,50	60,50
10	3/8" NPTF M.	7662-06-06MN1	1200	22	54	34,50	72,75	72,75

* Referencias en acero inoxidable a consultar.



SERIE HPA
VÁLVULA DE BOLA

Usos: Aplicación en sector industrial y papelerero de muy alta presión.

Diseñado para cilindros, bombas de mano y aplicaciones hidráulicas similares. Disponible con válvula de punzón o bola como sistema de cierre. Roscas NPTF. Otras bajo pedido.

Materiales:

Cuerpo: Acero Carbono EN-10277-3 / AISI 316L
Tóricas: NBR, Vitón o EPDM
Antiextrusión: PTFE
Bolas: AISI 1010/1015 / AISI316 W. 14401
Muelles: Acero al Carbono DIN17233/84(B) / AISI302 DIN 17224

Aplicaciones:

Diseñado para Aceite Hidráulico. Aplicaciones según la normativa Europea 97.23.EC

Equivalencias:

ENERPAC C-604
CEJN 230
PARKER 3000

Temperaturas (°C):

NBR (+100, -30)
Viton (+200, -10)
EPDM (+150, -40)

Modelos estándar (macho)

DN	ØA1	REF	Pres. (bar)	E/C	ØG	L1	ØF	L
06	1/4" NPTF	8662-04-04HN1	700	19	1" UN	34	15,90	75,5
10	3/8" NPTF	8662-06-06HN1	700	24	1 3/16" UN	38,88	18,99	87,14

Modelos acero inoxidable (macho)

DN	ØA1	REF	Pres. (bar)	E/C	ØG	L1	ØF	L
06	1/4" NPTF	8662-04-04HN2	700	19	1" UN	34	15,90	75,5
10	3/8" NPTF	8662-06-06HN2	700	24	1 3/16" UN	38,88	18,99	87,14

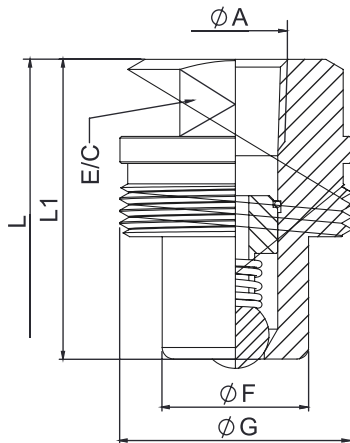
Modelos estándar (hembra)

DN	ØA	REF	Pres. (bar)	CH2	L2	ØE	L
06	1/4" NPTF M.	8661-04-04HN1	700	19	53	30	75,5
10	3/8" NPTF M.	8661-06-06HN1	700	24	64	34,50	87,14

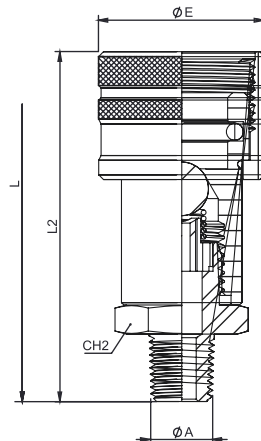
Modelos acero inoxidable (hembra)

DN	ØA	REF	Pres. (bar)	CH2	L2	ØE	L
06	1/4" NPTF M.	8661-04-04HN2	700	19	53	30	75,5
10	3/8" NPTF M.	8661-06-06HN2	700	24	64	34,50	87,14

Macho



Hembra



SERIE STG

BSP / NPTF / SIN 3852 / SAE

Usos: Aplicaciones agrícolas, tractores, industrial en general, transporte de cargas pesadas y maquinaria de construcción.

Disponible con válvula de punzón como cierre. Roscas BSP, NPTF, DIN2353, DIN3852, SAE/ORB. Otras bajo pedido. AISI 316 disponible en cantidades mínimas.

Materiales:	Aplicaciones:	Equivalencias:	Temperaturas (°C):
Cuerpo: Acero al carbono EN -10277-3 / AISI 316L	Diseñado para Aceite Hidráulico.	FASTER CVV	NBR (+100, -30)
Tóricas: NBR, Vitón o EPDM	Aplicaciones según la normativa Europea 97.23.EC	ARGUS HD	Viton (+200, -10)
Antiextrusión: PTFE		VOSWINKEL HS	EPDM (+150, -40)
Muelles: Acero al carbono DIN 17233/84(B)			

Macho

DN	CH1	CH2	C	ØD	L
06	19	30	59,30	34	94
10	22	30	61,20	34	98
13	27	36	67,50	41,80	109
20	36	41	80	48	135
25	41	55	86	59,80	155
32	50	75	142	79,80	241,80

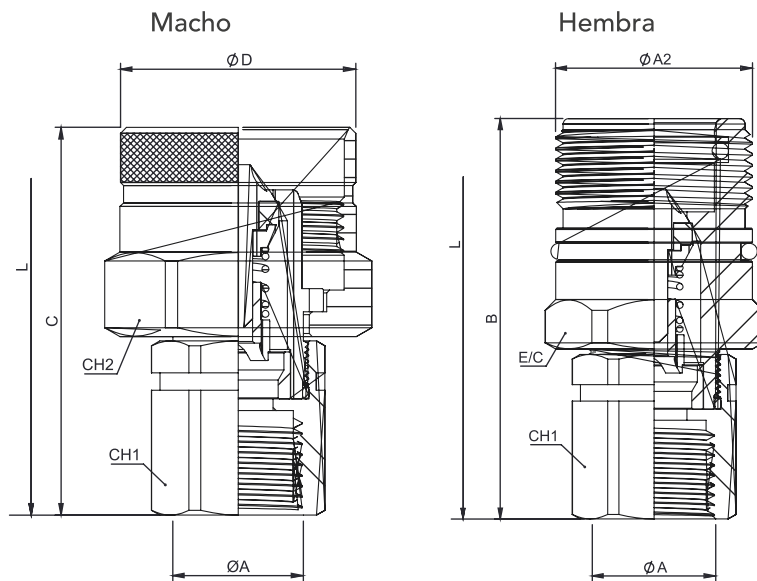
Hembra

DN	CH1	E/C	B	ØA2	L
06	19	22	60	Rd 24x2	94
10	22	24	64	Rd 28x2	98
13	27	32	70	Rd 36x2	109
20	36	36	86	Rd 42x2	135
25	41	41	103,5	Rd 48x3	155
32	50	60	150	Rd 70x3	241,80

Modelos estándar

DN	ØA	REF. MACHO	REF. HEMBRA	PRES. (BAR)
06	1/4" BSP	7922-04-04HG1	7921-04-04HG1	450
13	1/2" BSP	7922-06-06HG1	7921-06-06HG1	400
20	3/4" BSP	7922-08-08HG1	7921-08-08HG1	400
25	3/4" BSP	7922-12-12HG1	7921-12-12HG1	300
25	1" BSP	7922-16-16HG1	7921-16-16HG1	300

* Otras referencias con roscas BSP, NPT, métricas y SAE a consultar.



SERIE V2RH
 BSP / NPTF / ORB / SAE

Fabricados en acero calibrado. Disponibles con o sin taladros de fijación. Combinaciones de Roscas disponibles bajo pedido y cantidad mínima

Materiales:

Cuerpo: Acero al carbono EN -10277-3 /
 AISI 316L / AISI 303
 Tóricas: NBR, Vitón o EPDM
 Asiento bola: P.O.M. (Delrin®)
 Maneta: ZAMAK-5

Aplicaciones:

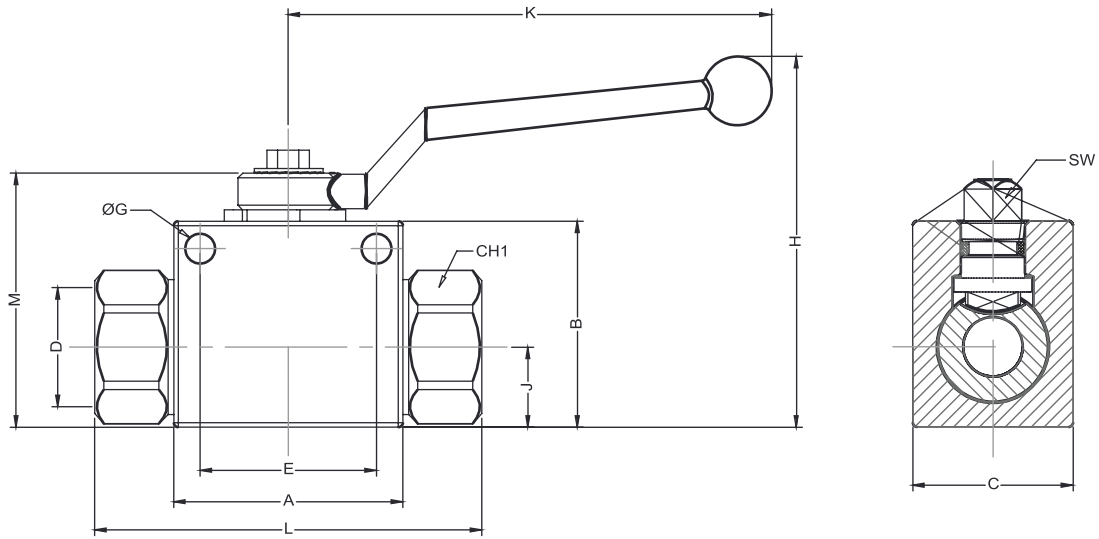
Diseñado para
 Aceite Hidráulico.
 Aplicaciones según
 la normativa Euro-
 pea 97.23.EC

Equivalencias:

PISTER BKH
 MHA BKH
 HYDAC KHB
 DMIC DVH

Temperaturas (°C):

NBR (+100, -30)
 Viton (+200, -10)
 EPDM (+150, -40)



Modelos estándar

DN	D	Ref.	PRES. (BAR)	CH1	L	A	B	M	K	H	J	C	SW	G	E
06	1/4" BSP	8200-04-04HG1	600	22	74,6	40	35	45,5	105,5	71	13	26	8,9	4,5	31,5
10	3/8" BSP	8200-06-06HG1	600	27	75,4	45	40	50,50	105,5	76	16	32	8,9	5,2	31,5
13	1/2" BSP	8200-08-08HG1	550	30	84,5	50	45	55,5	105,5	81	17,5	35	8,9	6,5	38,5
20	3/4" BSP	8200-12-12HG1	550	41	93,4	60	58	73	159,5	108	23	50	13,9	6,5	48,5
25	1" BSP	8200-16-16HG1	550	46	114,5	65	65	80	159,5	115	27,5	57	13,9	8,5	50,5
25	1 1/4" BSP	8200-20-20HG1	550	50	136,5	65	65	80	159,5	115	27,5	57	13,9	8,5	50,5
25	1 1/2" BSP	8200-24-24HG1	550	55	146,5	65	65	80	159,5	115	27,5	57	13,9	8,5	50,5

* Otras referencias con roscas NPT y SAE a consultar.

SERIE V2MT

DIN2353

Fabricados en acero calibrado. Disponibles con o sin taladros de fijación. Combinaciones de Roscas disponibles bajo pedido y cantidad mínima.

Materiales:

Cuerpo: Acero al carbono EN -10277-3 /
 AISI 316L Tóricas: NBR, Vitón o EPDM
 Asiento bola: P.O.M. (Delrin®)
 Maneta: ZAMAK-5

Aplicaciones:

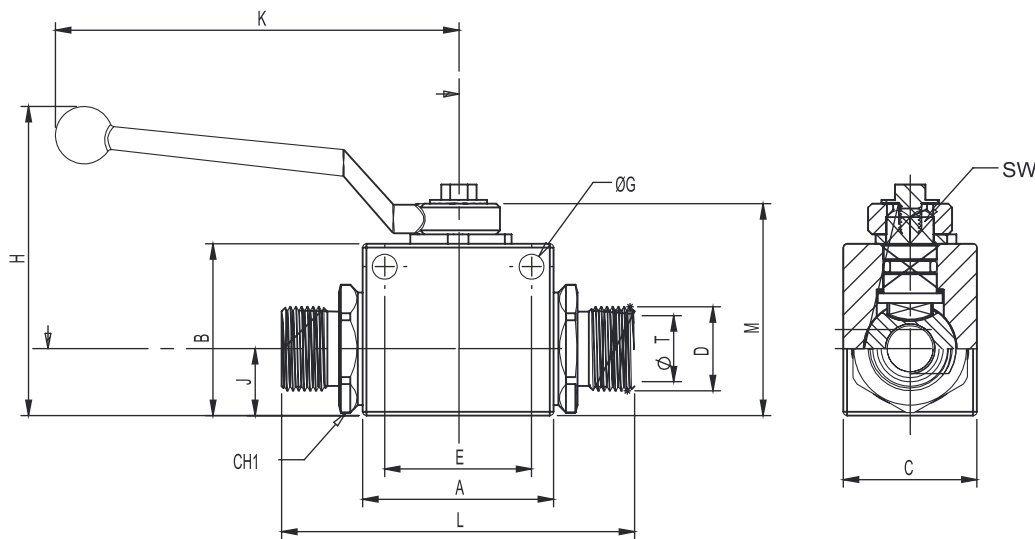
Diseñado para
 Aceite Hidráulico.
 Aplicaciones según
 la normativa Euro-
 pea 97.23.EC

Equivalencias:

PISTER BKH
 MHA BKH
 HYDAC KHB

Temperaturas (°C):

NBR (+100, -30)
 Viton (+200, -10)
 EPDM (+150, -40)



Modelos estándar

DN	D	ØT	Ref.	PRES. (BAR)	CH1	L	A	B	M	K	H	J	C	SW	G	E
06	M12x1,5	6L	8200-04-06LMM1	500	22	78,6	40	35	45,5	105,5	71	13	26	8,9	4,5	31,5
06	M14x1,5	8L	8200-04-08LMM1	500	22	79,6	40	35	45,5	105,5	71	13	26	8,9	4,5	31,5
06	M16x1,5	8S	8200-04-08SMM1	500	22	79,6	40	35	45,5	105,5	71	13	26	8,9	4,5	31,5
06	M18x1,5	10S	8200-04-10SMM1	500	22	79,6	40	35	45,5	105,5	71	13	26	8,9	4,5	31,5
10	M16x1,5	10L	8200-06-10LMM1	500	27	77,4	45	35	50,5	105,5	76	16	32	8,9	5,2	31,5
10	M18x1,5	12L	8200-06-12LMM1	500	27	79,4	45	35	50,5	105,5	76	16	32	8,9	5,2	31,5
13	M22x1,5	15L	8200-08-15LMM1	500	27	79,4	45	35	50,5	105,5	76	16	32	8,9	5,2	31,5
13	M26x1,5	18L	8200-08-18LMM1	500	27	79,4	45	35	50,5	105,5	76	16	32	8,9	5,2	31,5
13	M24x1,5	16S	8200-08-16SMM1	500	27	79,4	45	35	50,5	105,5	76	16	32	8,9	5,2	31,5
20	M30x2	22L	8200-12-22LMM1	500	30	92,5	50	45	55,5	105,5	81	17,5	35	8,9	6,5	38,5
20	M30x2	20S	8200-12-20SMM1	500	30	92,5	50	45	55,5	105,5	81	17,5	35	8,9	6,5	38,5
20	M30x2	20S	8200-12-25SMM1	500	30	92,5	50	45	55,5	105,5	81	17,5	35	8,9	6,5	38,5
25	M36x2	28L	8200-16-28LMM1	350	46	113,5	65	65	80	159,5	115	27,50	57	13,9	8,5	50,5
25	M42x2	30S	8200-16-28SMM1	350	46	128,5	65	65	80	159,5	115	27,50	57	13,9	8,5	50,5

SERIE V2RD
BSP / NPTF / SAE / ORB - AISI 316

Fabricados en acero calibrado. Combinaciones de Roscas disponibles bajo pedido y cantidad mínima.

Materiales:

Cuerpo: Acero al carbono EN -10277-3 / Acero inoxidable 316L
Tóricas: NBR, Vitón o EPDM
Asiento bola: P.O.M. (Delrin®)
Maneta: ZAMAK-5

Aplicaciones:

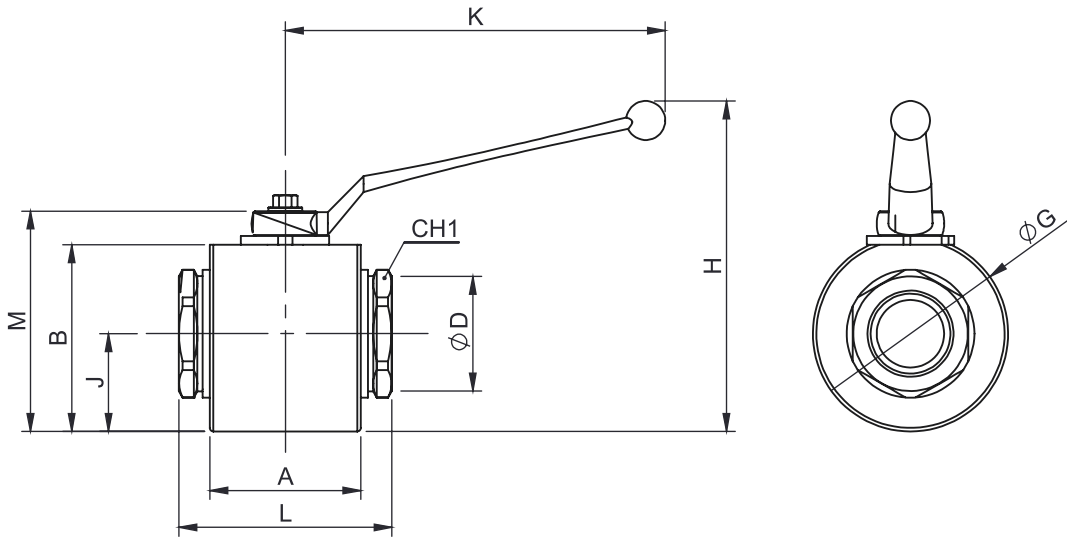
Diseñado para Aceite Hidráulico.
Aplicaciones según la normativa Europea 97.23.EC

Equivalencias:

PISTER BKH
MHA BKH
HYDAC BKH
DMIC BVH

Temperaturas (°C):

NBR (+100, -30)
Viton (+200, -10)
EPDM (+150, -40)



DN	CH1	L	A	M	K	H	J	B	ØC
06	22	74,5	40	45,5	105,5	71	13	35	38
10	27	74,5	45	50,5	105,5	76	16	40	45
13	30	84,5	50	55,5	105,5	81	17,5	45	48
20	41	93,4	60	73	159,5	108	50	59,5	65
25	46	114,5	65	80	159,5	115	27,5	65	70
25	50	136,5	65	80	159,5	115	27,5	65	70
25	55	146,5	65	80	159,5	115	27,5	65	70
32	55	110	80	100	159,5	135	41	85,75	90
40	65	120	85	114	214	176	44,5	105	110
50	80	140	100	129	214	191	52	115	120

Modelos estándar (AISI 316)

DN	D	Ref.	PRES. (BAR)
06	1/4" BSP	8201-04-04-HG2	500
10	3/8" BSP	8201-06-06-HG2	500
13	1/2" BSP	8201-08-08-HG2	500
20	3/4" BSP	8201-12-12-HG2	400
25	1" BSP	8201-16-16-HG2	350
32	1 1/4" BSP	8201-20-20-HG2	320
40	1 1/2" BSP	8201-24-24-HG2	320
50	2" BSP	8201-32-32-HG2	320

* Otras referencias con roscas BSP, NPT y SAE a consultar.

SERIE V2RD ACERO AL CARBONO

Fabricados en acero calibrado. Combinaciones de Roscas disponibles bajo pedido y cantidad mínima.

Materiales:

Cuerpo: Acero al carbono EN -10277-3 / Acero inoxidable 316L
Tóricas: NBR, Vitón o EPDM
Asiento bola: P.O.M. (Delrin®)
Maneta: ZAMAK-5

Aplicaciones:

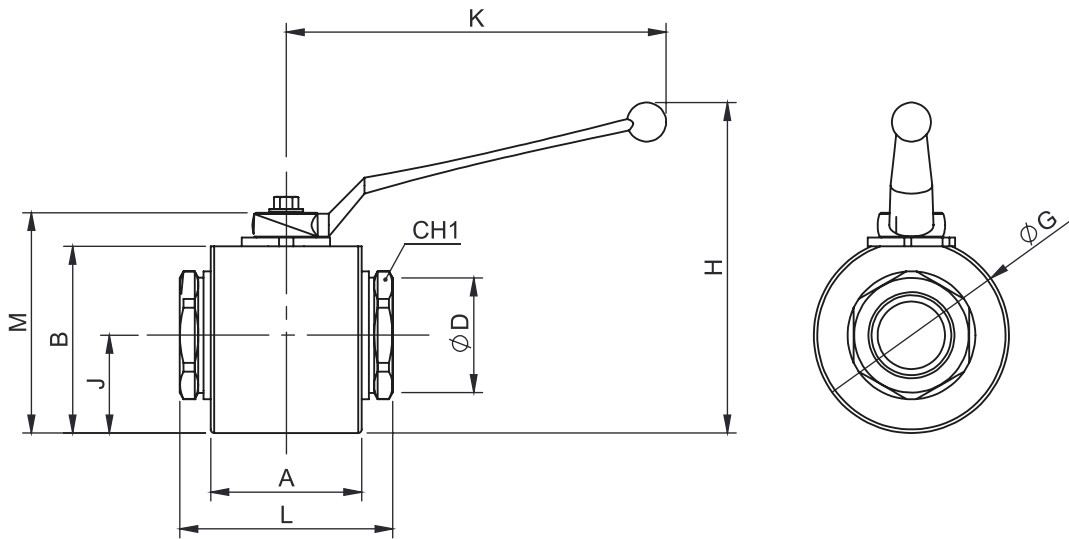
Diseñado para Aceite Hidráulico.
Aplicaciones según la normativa Europea 97.23.EC

Equivalencias:

PISTER BKH
MHA BKH
HYDAC BKH
DMIC BVH

Temperaturas (°C):

NBR (+100, -30)
Vitón (+200, -10)
EPDM (+150, -40)



DN	CH1	L	A	M	K	H	J	B	ØC
32	55	110	80	100	159,5	135	41	85,75	90
40	65	120	85	114	214	176	44,5	105	110
50	80	140	100	129	214	191	52	115	120

Modelos estándar (A. carbono)

DN	D	Ref.	PRES. (BAR)
32	1 1/4" BSP	9200-20-20HG1	320
40	1 1/2" BSP	9200-24-24HG1	320
50	2" BSP	9200-32-32HG1	320

* Otras referencias con roscas NPT y SAE a consultar.

SERIE V3RH
BSP / NPTF / SAE / ORB

Fabricados en acero calibrado. Disponibles con o sin taladros de fijación. Combinaciones de Roscas disponibles bajo pedido y cantidad mínima.

Materiales:

Cuerpo: Acero al carbono EN -10277-3
Tóricas: NBR, Vitón o EPDM
Asiento bola: P.O.M. (Delrin®)
Maneta: ZAMAK-5

Aplicaciones:

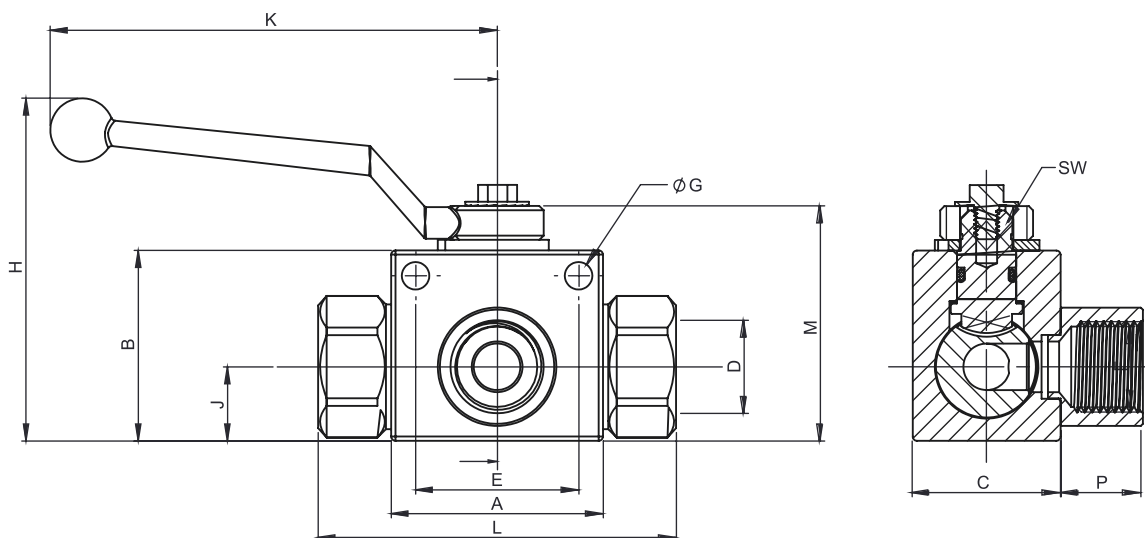
Diseñado para
Aceite Hidráulico.
Aplicaciones según
la normativa Euro-
pea 97.23.EC

Equivalencias:

PISTER BK3
MHA BK3
HYDAC KHB3K

Temperaturas (°C):

NBR (+100, -30)
Viton (+200, -10)
EPDM (+150, -40)



Modelos estándar

DN	D/F	Ref.	Pres. (bar)	CH1	L	A	B	M	K	H	J	C	SW	G	E	P
06	1/4" BSP	8310-04-04HG1	500	22	72,6	40	35	45,5	105,5	71	13	26	8,9	4,5	31,5	13
10	3/8" BSP	8310-06-06HG1	500	27	75,4	45	40	50,5	105,5	76	12	32	8,9	5,2	31,5	15
13	1/2" BSP	8310-08-08HG1	500	30	84,5	50	45	55,5	105,5	81	17,5	35	8,9	6,5	38,5	19,5
20	3/4" BSP	8310-12-12HG1	400	41	93,4	60	60	73	159,5	108	23	50	13,9	6,5	48,5	19
25	1" BSP	8310-16-16HG1	350	46	114,5	65	65	80	159,5	115	27,5	57	13,9	8,5	50,5	25
25	1 1/4" BSP	8310-20-20HG1	350	50	136,5	65	65	80	159,5	115	27,5	57	13,9	8,5	50,5	31
25	1 1/2" BSP	8310-24-24HG1	350	55	146,5	65	65	80	159,5	115	27,5	57	13,9	8,5	50,5	32

* Otras referencias con roscas NPT y SAE a consultar.

SERIE V3RH

BSP H-M-H

Fabricados en acero calibrado. Disponibles con o sin taladros de fijación. Combinaciones de Roscas disponibles bajo pedido y cantidad mínima.

Materiales:

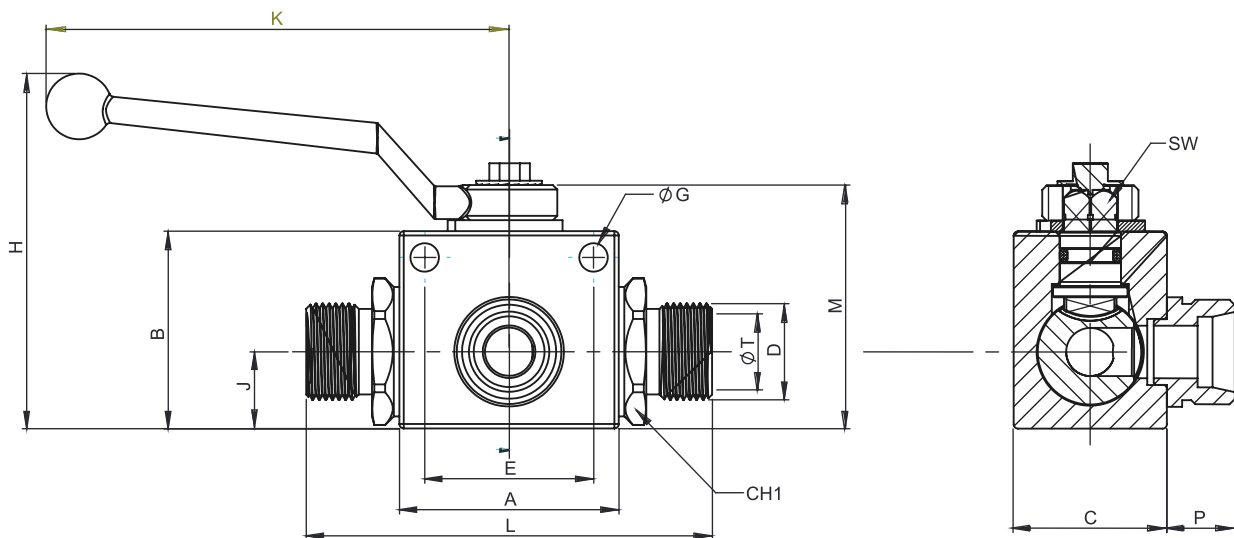
Cuerpo: Acero al carbono EN -10277-3
 Tóricas: NBR, Vitón o EPDM
 Asiento bola: P.O.M. (Delrin®)
 Maneta: ZAMAK-5

Aplicaciones:

Diseñado para
 Aceite Hidráulico.
 Aplicaciones según
 la normativa Euro-
 pea 97.23.EC

Temperaturas (°C):

NBR (+100, -30)
 Viton (+200, -10)
 EPDM (+150, -40)



Modelos estándar

DN	D/F	Ref.	Pres. (bar)	CH1	L	A	B	M	K	H	J	C	SW	G	E	P
06	1/4" BSP	8300-04-04MG1	500	22	72,6	40	35	45,5	105,5	71	13	26	8,9	4,5	31,5	13
10	3/8" BSP	8300-06-06MG1	500	27	75,4	45	40	50,5	105,5	76	12	32	8,9	5,2	31,5	15
13	1/2" BSP	8300-08-08MG1	500	30	84,5	50	45	55,5	105,5	81	17,5	35	8,9	6,5	38,5	17,5
20	3/4" BSP	8300-12-12MG1	400	41	93,4	60	60	73	159,5	108	23	50	13,9	6,5	48,5	19
25	1" BSP	8300-16-16MG1	350	46	114,5	65	65	80	159,5	115	27,5	57	13,9	8,5	50,5	25
25	1 1/4" BSP	8300-20-20MG1	350	50	136,5	65	65	80	159,5	115	27,5	57	13,9	8,5	50,5	28
25	1 1/2" BSP	8300-24-24MG1	350	55	146,5	65	65	80	159,5	115	27,5	57	13,9	8,5	50,5	28

SERIE VPC VÁLVULA PARACAÍDAS BSP

Usos: Aplicación industrial como válvula de seguridad para prevenir rotura de manguera y pérdida de presión del circuito.

Diseñado para actuar en caso de rotura de la manguera. Bloqueo/Control de la carga descendente que evita una caída de presión en el circuito. Roscas BSP. Otras bajo pedido.

Materiales:

Cuerpo: Acero al carbono EN -10277-3 / AISI 316L
Muelles: Acero al carbono DIN 17233/84(B)

Aplicaciones:

Diseñado para Aceite Hidráulico. Aplicaciones según la normativa Europea 97.23.EC

FUNCIONAMIENTO:

En posición normal el disco es dirigido por el muelle habilitando el paso de fluido de Z a Z1.

En condiciones normales el fluido vuelve al tanque libremente de Z a Z1.

Cuando el paso de fluido aumenta de Z a Z1 y hay una reacción excesiva el disco bloquea la vuelta al tanque anti - pándose a una posible caída de presión.

El usuario puede ajustar la reacción del fluido (T) según de las necesidades de la válvula de seguridad.

Cuerpo M-H

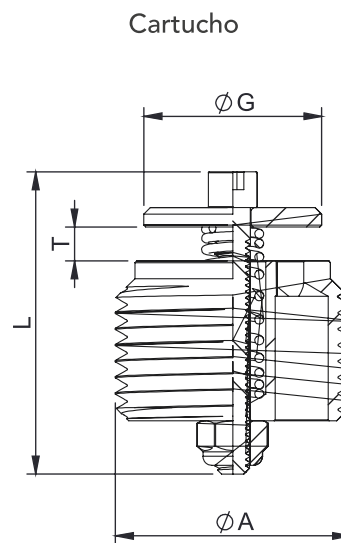
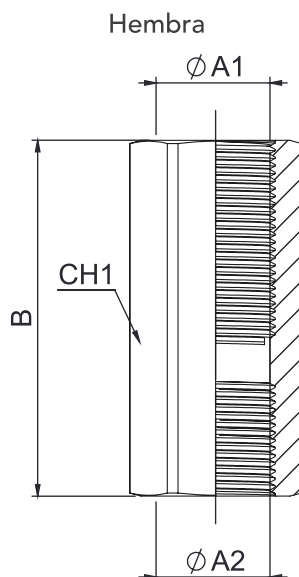
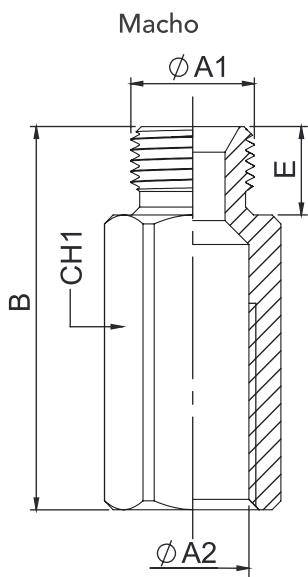
DN	ØA1	ØA2	REF.	CH1	B	E	Pres. (bar)
06	1/4" BSP M.	1/4" BSP	5601-04MH1	19	50	12	350
10	3/8" BSP M.	3/8" BSP	5601-06MH1	22	59	13	350
13	1/2" BSP M.	1/2" BSP	5601-08MH1	27	65	15	350
20	3/4" BSP M.	3/4" BSP	5601-12MH1	36	78	16	350
25	1" BSP M.	1" BSP	5601-16MH1	41	92	18	350

Cuerpo H-H

DN	ØA1	ØA2	REF.	CH1	B	E	Pres. (bar)
06	1/4" BSP	1/4" BSP	5602-04HH1	19	48	12	350
10	3/8" BSP	3/8" BSP	5602-06HH1	22	59	13	350
13	1/2" BSP	1/2" BSP	5602-08HH1	27	62	15	350
20	3/4" BSP	3/4" BSP	5602-12HH1	36	72	16	350
25	1" BSP	1" BSP	5602-16HH1	41	86	18	350

Cartucho

DN	ØA1	REF.	ØG	L	Pres. (bar)
06	1/4" BSP	5600-04	10	48	350
10	3/8" BSP	5600-06	13,8	59	350
13	1/2" BSP	5600-08	16	62	350
20	3/4" BSP	5600-12	20	72	350
25	1" BSP	5600-16	24	86	350



SERIE ATR ANTIRETORNO

ACERO AL CARBONO / AISI 316 - BSP / NPTF

Diseñado para evitar el retorno del fluido dentro del circuito. Sistema de cierre metálico (Sin Tóricas). Alta resistencia a los picos de presión. Presión de apertura estándar de 5psi. Otras presiones de apertura bajo pedido.

Materiales:	Aplicaciones:	Equivalencias:	Temperaturas (°C):
Cuerpo: Acero al carbono EN -10277-3 / AISI 316L	Diseñado para Aceite Hidráulico.	GROMELLE 4000	NBR (+100, -30)
Tóricas: NBR, Vitón o EPDM	Aplicaciones según la normativa Euro-pea 97.23.EC	DMIC CVH	Viton (+200, -10)
Muelles: Acero al carbono DIN 17233/84(B) / AISI302 DIN 17224		PARKER DC	EPDM (+150, -40)
		SNAP TITE CPIFF	

Modelos estándar (Acero al carbono)

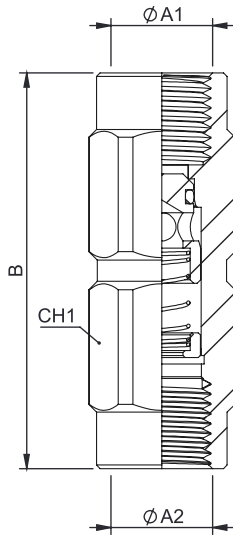
DN	ØA1/ ØA2	REF.	Pres. (bar)	CH	B
04	1/8" BSP	6600-02-HH1	300	14	44
06	1/4" BSP	6600-04-HH1	300	19	56
10	3/8" BSP	6600-06-HH1	300	22	70
13	1/2" BSP	6600-08-HH1	300	30	77
20	3/4" BSP	6600-12-HH1	300	36	90
25	1" BSP	6600-16-HH1	300	46	106
32	1 1/4" BSP	6600-20-HH1	300	55	125
40	1 1/2" BSP	6600-24-HH1	300	60	140
50	2" BSP	6600-32-HH1	200	75	160

* Otras referencias con rosca NPT a consultar.

Modelos estándar (Acero inoxidable)

DN	ØA1/ ØA2	REF.	Pres. (bar)	CH	B
04	1/8" BSP	6600-02-HH2	300	14	44
06	1/4" BSP	6600-04-HH2	300	19	56
10	3/8" BSP	6600-06-HH2	300	22	70
13	1/2" BSP	6600-08-HH2	300	30	77
20	3/4" BSP	6600-12-HH2	300	36	90
25	1" BSP	6600-16-HH2	300	46	106
32	1 1/4" BSP	6600-20-HH2	300	55	125
40	1 1/2" BSP	6600-24-HH2	300	60	140
50	2" BSP	6600-32-HH2	200	75	160

* Otras referencias con rosca NPT a consultar.



ESPECIAL AGRICULTURA

Ref: 1130

Tubo:	Caucho sintético resistente al aceite
Tube:	Oil resistant synthetic rubber
Refuerzo:	Una malla de acero
Reinforcement:	One Steel braid
Cubierta:	Caucho sintético con gran resistencia al medio ambiente
Cover:	Synthetic rubber with high resistance to environmental
Servicio continuo:	-40°C / +100°C
Continuous service:	-40°F / +212°F



Tamaño manguera			Ø Ext.	Presión máxima de trabajo		Presión mín. de rotura		Radio curvat.	Peso
Hose size			Ø Ext.	Max. working pressure		Min. burst pressure		Bend radius	Weight
DN	galga/dash	pulg./inch.	mm	bar	psi	bar	psi	mm	kg/m
6	04	1/4	12,0	210	3000	840	12000	45	0,17
8	05	5/16	13,7	210	3000	840	12000	50	0,22
10	06	3/8	15,7	210	3000	840	12000	60	0,27
12	08	1/2	19,3	210	3000	840	12000	85	0,39

SAE 100 R5

Ref: 2503

Tubo:	Caucho sintético resistente al aceite
Tube:	Oil resistant synthetic rubber
Refuerzo:	Una malla de acero
Reinforcement:	One Steel braid
Cubierta:	Un refuerzo textil
Cover:	A textile reinforcement
Servicio continuo:	-40°C / +100°C
Continuous service:	-40°F / +212°F



Tamaño manguera			Ø Ext.	Presión máxima de trabajo		Presión mín. de rotura		Radio curvat.	Peso
Hose size			Ø Ext.	Max. working pressure		Min. burst pressure		Bend radius	Weight
DN	galga/dash	pulg./inch.	mm	bar	psi	bar	psi	mm	kg/m
5	04	3/16	13,2	207	3000	830	12000	76	0,23
6	05	1/4	14,8	207	3000	830	12000	86	0,27
8	06	5/16	17,3	155	2250	620	9000	102	0,34
10	08	13/32	19,5	138	2000	550	8000	117	0,45
13	10	1/2	23,4	121	1750	480	7000	140	0,56
16	12	5/8	27,4	103	1500	410	6000	165	0,67
22	16	7/8	31,4	55	800	220	3200	187	0,69
29	20	1 1/8	38,1	43	625	170	2500	229	0,84
35	24	1 3/8	44,5	34	500	140	2000	267	1,06
46	32	1 13/16	56,4	24	350	100	1400	337	1,35

DIN 2 TE

Ref: 2502

Tubo: Tube:	Caucho sintético resistente al aceite Oil resistant synthetic rubber
Refuerzo: Reinforcement:	Una capa de hilos textiles trenzados($\varnothing \leq 25$), 2 capas de hilos textiles trenzados($\varnothing \geq 25$) A layer of woven textile threads ($\varnothing \leq 25$), 2 layers of woven textile threads ($\varnothing \geq 25$)
Cubierta: Cover	Caucho sintético con gran resistencia al medio ambiente Synthetic rubber with high resistance to environmental
Servicio continuo: Continuous service	-40°C / + 100°C -40°F / +212°F



Tamaño manguera			Ø Ext.	Presión máxima de trabajo		Presión mín. de rotura		Radio curvat.	Peso
Hose size			Ø Ext.	Max. working pressure		Min. burst pressure		Bend radius	Weight
DN	galga/dash	pulg./inch.	mm	bar	psi	bar	psi	mm	kg/m
6	04	1/4	13,4	75	1100	300	4400	40	0,14
8	05	5/16	14,9	68	986	270	3945	50	0,15
10	06	3/8	16,5	63	914	250	3655	60	0,19
13	08	1/2	19,7	58	840	230	3365	70	0,24
16	10	5/8	23,9	50	730	200	2920	90	0,29
19	12	3/4	27,0	45	650	180	2600	110	0,41
25	16	1	34,4	40	580	160	2320	150	0,60

SAE 100 R1AT DIN EN 853 / 1 SN

Ref: 2230

Tubo: Tube:	Caucho sintético resistente al aceite Oil resistant synthetic rubber
Refuerzo: Reinforcement:	Una malla de acero One Steel braid
Cubierta: Cover	Caucho sintético con gran resistencia al medio ambiente Synthetic rubber with high resistance to environmental
Servicio continuo: Continuous service	-40°C / + 100°C -40°F / +212°F



Tamaño manguera			Ø Ext.	Presión máxima de trabajo		Presión mín. de rotura		Radio curvat.	Peso
Hose size			Ø Ext.	Max. working pressure		Min. burst pressure		Bend radius	Weight
DN	galga/dash	pulg./inch.	mm	bar	psi	bar	psi	mm	kg/m
5	03	3/16	11,6	250	3630	1000	14520	90	0,18
6	04	1/4	13,2	225	3270	900	13080	100	0,22
8	05	5/16	14,7	215	3120	860	12480	115	0,26
10	06	3/8	17,1	180	2610	720	10460	130	0,33
13	08	1/2	20,2	160	2320	640	9280	180	0,42
16	10	5/8	23,2	130	1890	520	7560	200	0,51
19	12	3/4	27,4	105	1530	420	6120	240	0,62
25	16	1	35,4	88	1280	350	5120	300	0,92
32	20	1 1/4	42,8	63	920	250	3680	420	1,20
38	24	1 1/2	49,9	50	730	200	2920	500	1,48
51	32	2	63,2	40	580	160	2320	630	2,00

SAE 100 R1AT DIN EN 853 / 1 SN

Ref: 2230

Tubo:	Caucho sintético resistente al aceite
Tube:	Oil resistant synthetic rubber
Refuerzo:	Una malla de acero
Reinforcement:	One Steel braid
Cubierta:	Caucho sintético con gran resistencia al medio ambiente
Cover:	Synthetic rubber with high resistance to environmental
Servicio continuo:	-40°C / +100°C
Continuous service:	-40°F / +212°F



Tamaño manguera			Ø Ext.	Presión máxima de trabajo		Presión mín. de rotura		Radio curvat.	Peso
Hose size			Ø Ext.	Max. working pressure		Min. burst pressure		Bend radius	Weight
DN	galga/dash	pulg./inch.	mm	bar	psi	bar	psi	mm	kg/m
6	04	1/4	13,0	225	3265	900	13050	100	0,19
8	05	5/16	14,7	215	3120	860	12470	115	0,22
10	06	3/8	16,8	180	2610	720	10440	125	0,28
12	08	1/2	20,0	160	2320	640	9280	180	0,36
16	10	5/8	23,2	130	1885	520	7540	200	0,44
19	12	3/4	27,1	105	1525	420	6090	240	0,56
25	16	1	35,1	88	1275	352	5104	300	0,83
31	20	1 1/4	42,5	63	915	252	3654	420	1,07
38	24	1 1/2	50,1	50	725	200	2900	500	1,42
51	32	2	64,1	40	580	160	2320	630	2,01

SAE 100 R2AT DIN EN 853 / 2 SN

Ref: 3511

Tubo:	Caucho sintético resistente al aceite
Tube:	Oil resistant synthetic rubber
Refuerzo:	Dos mallas de acero
Reinforcement:	Two Steel braids
Cubierta:	Caucho sintético con gran resistencia al medio ambiente
Cover:	Synthetic rubber with high resistance to environmental
Servicio continuo:	-40°C / +100°C
Continuous service:	-40°F / +212°F



Tamaño manguera			Ø Ext.	Presión máxima de trabajo		Presión mín. de rotura		Radio curvat.	Peso
Hose size			Ø Ext.	Max. working pressure		Min. burst pressure		Bend radius	Weight
DN	galga/dash	pulg./inch.	mm	bar	psi	bar	psi	mm	kg/m
5	03	3/16	13,4	420	6000	1680	24000	90	0,29
6	04	1/4	15,0	400	5800	1600	23200	100	0,36
8	05	5/16	16,7	350	5000	1400	20000	115	0,42
10	06	3/8	19,1	330	4800	1320	19200	125	0,51
13	08	1/2	22,2	275	4000	1100	16000	175	0,64
16	10	5/8	25,4	250	3630	1000	14520	200	0,74
19	12	3/4	29,3	215	3120	860	12480	240	0,91
25	16	1	38,1	165	2400	660	9600	300	1,32
31	20	1 1/4	48,3	125	1820	500	7280	420	1,93
38	24	1 1/2	54,6	90	1310	360	5240	500	2,41
51	32	2	67,4	80	1160	320	4640	630	2,96

SAE 100 R2AT DIN EN 853 / 2 SN

Ref: 3511

Tubo: Tube:	Caucho sintético resistente al aceite Oil resistant synthetic rubber
Refuerzo: Reinforcement:	Dos mallas de acero Two Steel braids
Cubierta: Cover	Caucho sintético con gran resistencia al medio ambiente Synthetic rubber with high resistance to environmental
Servicio continuo: Continuous service	-40°C / +100°C -40°F / +212°F



Tamaño manguera			Ø Ext.	Presión máxima de trabajo		Presión mín. de rotura		Radio curvat.	Peso
Hose size			Ø Ext.	Max. working pressure		Min. burst pressure		Bend radius	Weight
DN	galga/dash	pulg./inch.	mm	bar	psi	bar	psi	mm	kg/m
6	04	1/4	14,4	400	5800	1600	23200	100	0,31
8	05	5/16	16,0	350	5075	1400	20000	115	0,37
10	06	3/8	18,4	330	4785	1320	19200	125	0,44
12	08	1/2	21,4	275	4000	1100	16000	180	0,53
16	10	5/8	24,6	250	3625	1000	14520	200	0,66
19	12	3/4	28,6	215	3120	860	12480	240	0,84
25	16	1	37,1	165	2395	660	9600	300	1,23
31	20	1 1/4	46,7	125	1815	500	7280	420	1,77
38	24	1 1/2	54,5	90	1305	360	5240	500	2,17
51	32	2	66,7	80	1160	320	4640	630	2,79

SAE 100 R1AT DIN EN 857 / 1 SC

Ref: 2239

Tubo: Tube:	Caucho sintético resistente al aceite Oil resistant synthetic rubber
Refuerzo: Reinforcement:	Una malla de acero One Steel braid
Cubierta: Cover	Caucho sintético con gran resistencia al medio ambiente Synthetic rubber with high resistance to environmental
Servicio continuo: Continuous service	-40°C / +100°C -40°F / +212°F



Tamaño manguera			Ø Ext.	Presión máxima de trabajo		Presión mín. de rotura		Radio curvat.	Peso
Hose size			Ø Ext.	Max. working pressure		Min. burst pressure		Bend radius	Weight
DN	galga/dash	pulg./inch.	mm	bar	psi	bar	psi	mm	kg/m
6	04	1/4	11,9	225	3262	900	13050	75	0,16
8	05	5/16	13,7	215	3117	860	12470	85	0,21
10	06	3/8	15,7	180	2610	720	10440	90	0,26
12	08	1/2	19,5	160	2320	640	9280	130	0,34

SAE 100 R2AT DIN EN 857 / 2 SC

Ref: 3539

Tubo:	Caucho sintético resistente al aceite
Tube:	Oil resistant synthetic rubber
Refuerzo:	Dos mallas de acero
Reinforcement:	Two Steel braids
Cubierta:	Caucho sintético con gran resistencia al medio ambiente
Cover:	Synthetic rubber with high resistance to environmental
Servicio continuo:	-40°C / + 100°C
Continuous service:	-40°F / +212°F



Tamaño manguera			Ø Ext.	Presión máxima de trabajo		Presión mín. de rotura		Radio curvat.	Peso
Hose size			Ø Ext.	Max. working pressure		Min. burst pressure		Bend radius	Weight
DN	galga/dash	pulg./inch.	mm	bar	psi	bar	psi	mm	kg/m
6	04	1/4	13,0	400	5800	1600	23200	75	0,25
8	05	5/16	14,6	350	5075	1400	20300	85	0,30
10	06	3/8	16,6	330	4785	1320	19140	90	0,37
12	08	1/2	20,0	275	3990	1100	15950	130	0,45

EXTREMA TEMPERATURA | EXTREME TEMPERATURE

Ref: EQUATOR/1

Tubo:	Caucho sintético resistente al aceite
Tube:	Oil resistant synthetic rubber
Refuerzo:	Una malla de acero
Reinforcement:	One Steel braid
Cubierta:	Caucho sintético con gran resistencia al ozono, agua a altas temperaturas
Cover:	Synthetic rubber with high resistance to ozone, water at high temperatures
Servicio continuo:	-40°C / + 150°C
Continuous service:	-40°F / +302°F
Máx. temp. aire:	+110°C
Max. temp. air:	-230°F



Tamaño manguera			Ø Ext.	Presión máxima de trabajo		Presión mín. de rotura		Radio curvat.	Peso
Hose size			Ø Ext.	Max. working pressure		Min. burst pressure		Bend radius	Weight
DN	galga/dash	pulg./inch.	mm	bar	psi	bar	psi	mm	kg/m
6	04	1/4	13,4	225	3260	900	13080	100	0,22
10	06	3/8	17,4	180	2610	720	10460	130	0,32
13	08	1/2	20,6	160	2320	640	9280	180	0,42
16	10	5/8	23,7	130	1890	520	7560	200	0,51
19	12	3/4	27,7	105	1530	420	6120	240	0,61
25	16	1	35,6	88	1280	350	5120	300	0,93

EXTREMA TEMPERATURA | EXTREME TEMPERATURE

Ref: EQUATOR/2

Tubo: Tube:	Caucho sintético resistente al aceite Oil resistant synthetic rubber
Refuerzo: Reinforcement:	Una malla de acero One Steel braid
Cubierta: Cover	Caucho sintético con gran resistencia al ozono, agua a altas temperaturas Synthetic rubber with high resistance to ozone, water at high temperatures
Servicio continuo: Continuous service	-40°C / + 150°C -40°F / +302°F
Máx. temp. aire: Max. temp. air	+110°C -230°F



Tamaño manguera			Ø Ext.	Presión máxima de trabajo		Presión mín. de rotura		Radio curvat.	Peso
Hose size			Ø Ext.	Max. working pressure		Min. burst pressure		Bend radius	Weight
DN	galga/dash	pulg./inch.	mm	bar	psi	bar	psi	mm	kg/m
6	04	1/4	15,0	400	5800	1600	23200	100	0,36
10	06	3/8	19,1	330	4800	1320	19200	130	0,51
13	08	1/2	22,2	280	4000	1120	16000	180	0,64
16	10	5/8	25,4	250	3630	1000	14520	200	0,74
19	12	3/4	29,3	215	3120	860	12480	240	0,91
25	16	1	38,1	165	2400	660	9600	300	1,32
32	20	1 1/4	48,3	125	1820	500	7280	420	1,93
38	24	1 1/2	54,6	90	1310	360	5240	500	2,41
51	32	2	67,4	80	1160	320	4640	630	2,96

SUPERJET / 2T

Ref: 3515

Tubo: Tube:	Caucho sintético resistente al aceite Oil resistant synthetic rubber
Refuerzo: Reinforcement:	Dos mallas de acero Two Steel braids
Cubierta: Cover	Caucho sintético con gran resistencia al medio ambiente Synthetic rubber with high resistance to environmental
Servicio continuo: Continuous service	-40°C / + 155°C -40°F / +311°F



Tamaño manguera			Ø Ext.	Presión máxima de trabajo		Presión mín. de rotura		Radio curvat.	Peso
Hose size			Ø Ext.	Max. working pressure		Min. burst pressure		Bend radius	Weight
DN	galga/dash	pulg./inch.	mm	bar	psi	bar	psi	mm	kg/m
6	04	1/4	13,4	400	5800	1600	23200	70	0,28
8	05	5/16	15,0	400	5800	1500	22000	76	0,31
10	06	3/8	17,4	400	5800	1400	20000	90	0,40
13	08	1/2	20,6	400	5800	1200	18000	115	0,55

SUPERJET / 2T

Ref: 3515

Tubo:	Caucho sintético resistente al aceite
Tube:	Oil resistant synthetic rubber
Refuerzo:	Dos mallas de acero
Reinforcement:	Two Steel braids
Cubierta:	Caucho sintético con gran resistencia al medio ambiente
Cover:	Synthetic rubber with high resistance to environmental
Servicio continuo:	-10°C / + 155°C
Continuous service:	14°F / +311°F



Tamaño manguera			Ø Ext.	Presión máxima de trabajo		Presión mín. de rotura		Radio curvat.	Peso
Hose size			Ø Ext.	Max. working pressure		Min. burst pressure		Bend radius	Weight
DN	galga/dash	pulg./inch.	mm	bar	psi	bar	psi	mm	kg/m
6	04	1/4	14,4	400	5800	1600	23200	100	0,31
8	05	5/16	16,0	400	5800	1400	20000	115	0,37
10	06	3/8	18,4	400	5800	1320	19140	125	0,44
12	08	1/2	21,4	400	5800	1100	15950	180	0,56

DIN EN 856 / 4SP SAE 100 R9R

Ref: 4290

Tubo:	Caucho sintético resistente al aceite
Tube:	Oil resistant synthetic rubber
Refuerzo:	Cuatro mallas de acero
Reinforcement:	Four Steel braids
Cubierta:	Caucho sintético con gran resistencia al ozono, agua a altas temperaturas
Cover:	Synthetic rubber with high resistance to ozone, water at high temperatures
Servicio continuo:	-40°C / +100°C
Continuous service:	-40°F / +212°F



Tamaño manguera			Ø Ext.	Presión máxima de trabajo		Presión mín. de rotura		Radio curvat.	Peso
Hose size			Ø Ext.	Max. working pressure		Min. burst pressure		Bend radius	Weight
DN	galga/dash	pulg./inch.	mm	bar	psi	bar	psi	mm	kg/m
6	04	1/4	17,9	450	6550	1800	26200	150	0,58
10	06	3/8	21,4	445	6450	1780	25800	180	0,75
13	08	1/2	24,6	415	6000	1660	24000	230	0,88
16	10	5/8	28,2	350	5000	1400	20000	250	1,05
19	12	3/4	32,2	380	5510	1520	22040	300	1,44
25	16	1	39,7	320	4640	1280	18560	340	1,96

DIN EN 856 / 4SP SAE 100 R9R

Ref: 4290

Tubo:	Caucho sintético resistente al aceite
Tube:	Oil resistant synthetic rubber
Refuerzo:	Cuatro mallas de acero
Reinforcement:	Four Steel braids
Cubierta:	Caucho sintético con gran resistencia a la abrasión, al ozono y al agua
Cover:	Synthetic rubber with high resistance to abrasion, ozone, water at high temperatures
Servicio continuo:	-40°C / +100°C
Continuous service:	-40°F / +212°F



Tamaño manguera			Ø Ext.	Presión máxima de trabajo		Presión mín. de rotura		Radio curvat.	Peso
Hose size			Ø Ext.	Max. working pressure		Min. burst pressure		Bend radius	Weight
DN	galga/dash	pulg./inch.	mm	bar	psi	bar	psi	mm	kg/m
10	06	3/8	21,1	445	6455	1780	25810	180	0,70
13	08	1/2	24,2	425	6165	1700	24650	230	0,85
16	10	5/8	27,9	350	5075	1560	22620	250	1,04
19	12	3/4	32,0	350	5075	1540	22330	300	1,32
25	16	1	38,9	320	4640	1280	18560	340	2,06

DIN EN 856 / 4SH

Ref: 4270

Tubo:	Caucho sintético resistente al aceite
Tube:	Oil resistant synthetic rubber
Refuerzo:	Cuatro mallas de acero
Reinforcement:	Four Steel braids
Cubierta:	Caucho sintético con gran resistencia a la abrasión, al ozono y al agua
Cover:	Synthetic rubber with high resistance to abrasion, ozone, water at high temperatures
Servicio continuo:	-40°C / + 100°C
Continuous service:	-40°F / +212°F

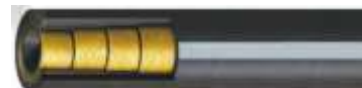


Tamaño manguera			Ø Ext.	Presión máxima de trabajo		Presión mín. de rotura		Radio curvat.	Peso
Hose size			Ø Ext.	Max. working pressure		Min. burst pressure		Bend radius	Weight
DN	galga/dash	pulg./inch.	mm	bar	psi	bar	psi	mm	kg/m
19	12	3/4	32,2	420	6000	1680	24000	280	1,57
25	16	1	38,7	380	5500	1520	22000	340	1,95
32	20	1 1/4	45,5	350	5000	1400	20000	460	2,47
38	24	1 1/2	53,5	290	4200	1160	16800	560	3,27
51	32	2	68,1	250	3650	1100	14600	700	4,67

DIN EN 856 / 4SH

Ref: 4270

Tubo:	Caucho sintético resistente al aceite
Tube:	Oil resistant synthetic rubber
Refuerzo:	Cuatro mallas de acero
Reinforcement:	Four Steel braids
Cubierta:	Caucho sintético con gran resistencia a la abrasión, al ozono y al agua
Cover:	Synthetic rubber with high resistance to abrasion, ozone, water at high temperatures
Servicio continuo:	-40°C / + 100°C
Continuous service:	-40°F / +212°F



Tamaño manguera			Ø Ext.	Presión máxima de trabajo		Presión mín. de rotura		Radio curvat.	Peso
Hose size			Ø Ext.	Max. working pressure		Min. burst pressure		Bend radius	Weight
DN	galga/dash	pulg./inch.	mm	bar	psi	bar	psi	mm	kg/m
19	12	3/4	31,9	420	6090	1680	24360	280	1,43
25	16	1	38,7	380	5510	1520	22040	340	2,20
31	20	1 1/4	46,4	350	5075	1380	20010	460	2,58

SAE 100 R12 - EN 856 R12

Ref: 4250

Tubo:	Caucho sintético resistente al aceite
Tube:	Oil resistant synthetic rubber
Refuerzo:	Cuatro mallas de acero
Reinforcement:	Four Steel braids
Cubierta:	Caucho sintético con gran resistencia al medio ambiente
Cover:	Synthetic rubber with high resistance to environmental
Servicio continuo:	-40°C / + 100°C
Continuous service:	-40°F / +212°F



Tamaño manguera			Ø Ext.	Presión máxima de trabajo		Presión mín. de rotura		Radio curvat.	Peso
Hose size			Ø Ext.	Max. working pressure		Min. burst pressure		Bend radius	Weight
DN	galga/dash	pulg./inch.	mm	bar	psi	bar	psi	mm	kg/m
10	06	3/8	20,3	280	4000	1120	16000	127	0,61
13	08	1/2	23,8	280	4000	1120	16000	178	0,76
19	12	3/4	30,7	280	4000	1120	16000	241	1,19
25	16	1	38,0	280	4060	1120	16000	305	1,76
32	20	1 1/4	47,0	210	3000	840	12000	419	2,69
38	24	1 1/2	53,5	175	2500	700	10000	508	3,08
51	32	2	66,7	175	2500	700	10000	635	3,97

SAE 100 R13 - EN 856 R13

Ref: 6250

Tubo: Tube:	Caucho sintético resistente al aceite Oil resistant synthetic rubber
Refuerzo: Reinforcement:	Cuatro mallas de acero (DN <31). Seis mallas de acero (DN 31/38) Four steel braids (DN<31)). Six steel braids (DN31/38)
Cubierta: Cover	Caucho sintético con gran resistencia al medio ambiente Synthetic rubber with high resistance to environmental
Servicio continuo: Continuous service	-40°C / + 100°C -40°F / +212°F



Tamaño manguera				Ø Ext.	Presión máxima de trabajo		Presión mín. de rotura		Radio curvat.	Peso
Hose size				Ø Ext.	Max. working pressure		Min. burst pressure		Bend radius	Weight
Mallas/ Braids	DN	galga/ dash	pulg./ inch.	mm	bar	psi	bar	psi	mm	kg/m
4	25	16	1	38,7	380	5500	1520	22000	305	2,00
6	32	20	1 1/4	49,8	350	5000	1400	20000	419	3,60
6	38	24	1 1/2	57,3	350	5000	1400	20000	508	4,80
6	51	32	2	70,9	350	5000	1400	20000	635	6,60

R15

Ref: 6271

Tubo: Tube:	Caucho sintético resistente al aceite Oil resistant synthetic rubber
Refuerzo: Reinforcement:	Cuatro mallas de acero Four Steel braids
Cubierta: Cover	Caucho sintético con gran resistencia al medio ambiente Synthetic rubber with high resistance to environmental
Servicio continuo: Continuous service	-40°C / + 121°C -40°F / +249,8 °F



Tamaño manguera			Ø Ext.	Presión máxima de trabajo		Presión mín. de rotura		Radio curvat.	Peso
Hose size			Ø Ext.	Max. working pressure		Min. burst pressure		Bend radius	Weight
DN	galga/dash	pulg./inch.	mm	bar	psi	bar	psi	mm	kg/m
19	12	3/4	31,2	420	6000	1680	24000	210	1,47
25	16	1	37,8	420	6000	1680	24000	280	2,03
31	20	1 1/4	46,1	420	6000	1680	24000	445	2,92

SAE 100 R7

Ref: 2940

Tubo:	Poliéster termoplástico
Tube:	Thermoplastic polyester
Refuerzo:	Una malla de acero
Reinforcement:	One steel braid
Cubierta:	Poliuretano
Cover:	Poliuretano
Servicio continuo:	-40°C / + 100°C
Continuous service:	-40°F / +212°F



Tamaño manguera			Ø Ext.	Presión máxima de trabajo		Presión mín. de rotura		Radio curvat.	Peso
Hose size			Ø Ext.	Max. working pressure		Min. burst pressure		Bend radius	Weight
DN	galga/dash	pulg./inch.	mm	bar	psi	bar	psi	mm	kg/m
5	03	3/16	10,0	325	4710	1300	18550	30	0,133
6	04	1/4	11,9	300	4350	1200	17400	40	0,170
8	05	5/16	14,0	240	3480	960	13920	50	0,221
10	06	3/8	16,0	225	3262	900	13050	60	0,260
12	08	1/2	19,2	190	2755	760	11020	75	0,326
16	10	5/8	23,3	150	2175	600	8700	110	0,412
19	12	3/4	25,5	130	1885	520	7540	150	0,454
25	16	1	32,5	105	1520	420	6080	185	0,590

SAE 100 R7

Ref: 2941

Tubo:	Poliéster termoplástico
Tube:	Thermoplastic polyester
Refuerzo:	Dos mallas de acero
Reinforcement:	Two steel braids
Cubierta:	Poliuretano
Cover:	Poliuretano
Servicio continuo:	-40°C / + 100°C
Continuous service:	-40°F / +212°F



Tamaño manguera			Ø Ext.	Presión máxima de trabajo		Presión mín. de rotura		Radio curvat.	Peso
Hose size			Ø Ext.	Max. working pressure		Min. burst pressure		Bend radius	Weight
DN	galga/dash	pulg./inch.	mm	bar	psi	bar	psi	mm	kg/m
6	04	1/4	13,5	400	5800	1600	23200	40	0,294
8	05	5/16	15,1	350	5075	1400	20300	50	0,346
10	06	3/8	17,0	330	4785	1320	19140	60	0,418
12	08	1/2	21,5	275	3988	1100	15950	75	0,583
16	10	5/8	24,5	250	3625	1000	14500	110	0,660
19	12	3/4	27,5	215	3118	860	12470	150	0,788
25	16	1	35,0	165	2400	660	9600	185	1,053

SAE 100 R7

Ref: 2944

Tubo:	BITUBO - Poliéster termoplástico
Tube:	BI-TUBE - Thermoplastic polyester
Refuerzo:	Una malla de acero
Reinforcement:	One steel braid
Cubierta:	Poliuretano
Cover:	Poliuretano
Servicio continuo:	-40°C / + 100°C
Continuous service:	-40°F / +212°F



Tamaño manguera			Ø Ext.	Presión máxima de trabajo		Presión mín. de rotura		Radio curvat.	Peso
Hose size			Ø Ext.	Max. working pressure		Min. burst pressure		Bend radius	Weight
DN	galga/dash	pulg./inch.	mm	bar	psi	bar	psi	mm	kg/m
6	04	1/4	11,9	300	4350	1200	17400	40	0,170
8	05	5/16	14,0	240	3480	960	13920	50	0,221
10	06	3/8	16,0	225	3262	900	13050	60	0,260
12	08	1/2	19,2	190	2755	760	11020	75	0,326

SAE 100 R7

Ref: 3940

Tubo:	Poliéster termoplástico
Tube:	Thermoplastic polyester
Refuerzo:	Dos mallas textiles
Reinforcement:	Two textile braids
Cubierta:	Poliuretano
Cover:	Poliuretano
Servicio continuo:	-40°C / + 100°C
Continuous service:	-40°F / +212°F



Tamaño manguera			Ø Ext.	Presión máxima de trabajo		Presión mín. de rotura		Radio curvat.	Peso
Hose size			Ø Ext.	Max. working pressure		Min. burst pressure		Bend radius	Weight
DN	galga/dash	pulg./inch.	mm	bar	psi	bar	psi	mm	kg/m
5	03	3/16	10,0	210	3045	840	12810	30	0,073
6	04	1/4	11,8	200	2900	800	11600	35	0,090
8	05	5/16	14,3	190	2755	760	11020	45	0,128
10	06	3/8	16,0	175	2537	700	10150	55	0,155
12	08	1/2	20,3	140	2030	560	8120	75	0,219
16	10	5/8	23,5	105	1522	420	6090	120	0,277
19	12	3/4	26,5	90	1305	360	5220	145	0,330
25	16	1	33,6	70	1015	280	4060	200	0,403

SAE 100 R7

Ref: VE 7

Tubo:	Poliéster termoplástico
Tube:	Thermoplastic polyester
Refuerzo:	Dos mallas textiles
Reinforcement:	Two textile braids
Cubierta:	Poliuretano
Cover:	Poliuretano
Servicio continuo:	-40°C / + 100°C
Continuous service:	-40°F / +212°F



Especial para ISOCIONATO. Pintura - disolvente
Special to ISOCYNATE. Painting - solvent

Tamaño manguera			Ø Ext.	Presión máxima de trabajo		Presión mín. de rotura		Radio curvat.	Peso
Hose size			Ø Ext.	Max. working pressure		Min. burst pressure		Bend radius	Weight
DN	galga/dash	pulg./inch.	mm	bar	psi	bar	psi	mm	kg/m
5	03	3/16	10,0	210	3045	840	12180	30	0,068
6	04	1/4	11,8	200	2900	800	11600	35	0,087
8	05	5/16	14,3	190	2755	760	11020	45	0,126
10	06	3/8	16,0	175	2537	700	10150	55	0,146
12	08	1/2	20,3	140	2030	560	8120	75	0,214
19	12	3/4	26,5	90	1305	360	5220	145	0,301

SAE 100 R7

Ref: 3944

Tubo:	BITUBO - Poliéster termoplástico
Tube:	BI-TUBE - Thermoplastic polyester
Refuerzo:	Dos mallas textiles
Reinforcement:	Two textile braids
Cubierta:	Poliuretano
Cover:	Poliuretano
Servicio continuo:	-40°C / + 100°C
Continuous service:	-40°F / +212°F



Tamaño manguera			Ø Ext.	Presión máxima de trabajo		Presión mín. de rotura		Radio curvat.	Peso
Hose size			Ø Ext.	Max. working pressure		Min. burst pressure		Bend radius	Weight
DN	galga/dash	pulg./inch.	mm	bar	psi	bar	psi	mm	kg/m
5	03	3/16	10,0	210	3045	840	12180	30	0,068
6	04	1/4	11,8	200	2900	800	11600	35	0,087
8	05	5/16	14,3	190	2755	760	11020	45	0,126
10	06	3/8	16,0	175	2537	700	10150	55	0,146
12	08	1/2	20,3	140	2030	560	8120	75	0,214

Ref: 2905 y 2905AS (calidad antiestática)

Tubo:	Ondulado helicoidal y una envoltura de cinta de vidrio
Tube:	Helically corrugated wrap tape and glass
Espeesor:	Estándar
Thickness:	Standard
Refuerzo:	Una malla de inoxidable AISI-304
Reinforcement:	One stainless braid AISI-304
Servicio continuo:	-54°C / + 204°C
Continuous service:	-65,2°F / +399,2°F



- Medidas disponibles para ambas referencias. Las demás referencias solo están disponibles en la versión 2905.
Measures available to both references. Other references are only available in version 2905.

Tamaño manguera			Ø Ext.	Presión máxima de trabajo		Presión mín. de rotura		Radio curvat.
Hose size			Ø Ext.	Max. working pressure		Min. burst pressure		Bend radius
DN	galga/dash	pulg./inch.	mm	bar	psi	bar	psi	mm
10 ●	06	3/8	15,00	69	1000	276	4000	25
12 ●	08	1/2	19,18	86	1250	345	5000	38
16	10	5/8	23,04	97	1400	386	5600	51
20 ●	12	3/4	26,87	76	1100	303	4400	64
25	16	1	32,90	60	875	241	3500	76
32	20	1 1/4	39,78	60	875	241	3500	89
40	24	1 1/2	45,70	52	750	207	3000	114
50	32	2	58,27	34	500	138	2000	133
65	40	2 1/2	75,0	24,5	-	98	-	320

Ref: 2907 y 2907AS (calidad antiestática)

Tubo:	Corrugado helicoidal de PTFE
Tube:	PTFE helically corrugated
Refuerzo:	Una malla de inoxidable AISI-304
Reinforcement:	One stainless braid AISI-304
Servicio continuo:	-54°C / + 204°C
Continuous service:	-65,2°F / +399,2°F



- Medidas disponibles para ambas referencias. Las demás referencias solo están disponibles en la versión 2905.
Measures available to both references. Other references are only available in version 2905.

Tamaño manguera			Ø Ext.	Presión máxima de trabajo		Presión mín. de rotura		Radio curvat.
Hose size			Ø Ext.	Max. working pressure		Min. burst pressure		Bend radius
DN	galga/dash	pulg./inch.	mm	bar	psi	bar	psi	mm
6	04	1/4	9,90	172	2494	517	7496	18
10 ●	06	3/8	14,50	138	2001	414	6003	20
12 ●	08	1/2	19,20	103	1493	310	4495	25
16	10	5/8	24,00	83	1203	248	3596	51
20 ●	12	3/4	24,65	69	1000	207	3000	64
25	16	1	32,77	46	667	138	2000	89
32	20	1 1/4	40,72	34	500	103	1500	127
40	24	1 1/2	48,25	30	435	90	1305	152
50	32	2	61,50	23	333	69	1000	200

Ref: **2900**

Tubo:	PTFE liso
Tube:	PTFE smooth
Espeor:	Estándar
Thickness:	Standard
Refuerzo:	Una malla de inoxidable AISI-304
Reinforcement:	One stainless braid AISI-304
Servicio continuo:	-60°C / + 260°C
Continuous service:	-76°F / +500°F



Tamaño manguera			Ø Ext.	Presión máxima de trabajo		Presión mín. de rotura		Radio curvat.
Hose size			Ø Ext.	Max. working pressure		Min. burst pressure		Bend radius
DN	galga/dash	pulg./inch.	mm	bar	psi	bar	psi	mm
3	02	1/8"	7,87	276	4000	827	12000	51
5	03	3/16"	8,61	264	3828	793	12006	64
6	04	1/4	9,86	224	3248	672	9744	76
8	05	5/16	11,56	207	3001	621	9004	102
10	06	3/8	14,1	183	2653	552	8004	133
12	08	1/2	17,22	161	2334	483	7003	152
16	10	5/8	20,57	114	1653	345	5002	178
20	12	3/4	23,77	103	1493	310	4495	203
25	16	1	30,07	80	1160	241	3494	305

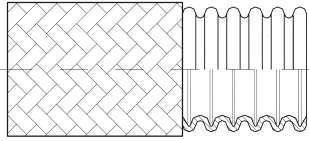
Ref: **2903 - PTFE liso + Poliparafenileno tereftalamida**

Tubo:	PTFE liso
Tube:	PTFE smooth
Espeor:	Grueso
Thickness:	Thick
Refuerzo:	Una malla de poliparafenileno tereftalamida más una malla exterior inoxidable en AISI-304
Reinforcement:	A para-aramid sintetyc fiber braid and an outer AISI-304 braid
Servicio continuo:	-60°C / + 204°C
Continuous service:	-76°F / + 399,2°F



Tamaño manguera			Ø Ext.	Presión máxima de trabajo		Presión mín. de rotura		Radio curvat.
Hose size			Ø Ext.	Max. working pressure		Min. burst pressure		Bend radius
DN	galga	pulgadas	mm	bar	psi	bar	psi	mm
6	04	1/4	12,60	414	6000	1654	24000	76
11	07	13/32	17,15	310	4500	1241	18000	133

Ref: **7500**



Características técnicas / Technical Features

Tubo interior / Inner tube:	AISI-316L
Refuerzo ext. / Ext. reinf:	AISI-304
Temperatura: / Temperature	-270°C / +700°C (sujeto a factor de corrección) / -454°F / +1292°F (subject to correction factor)
Observaciones: / Observations	Las presiones de rotura son cuatro veces las presiones de trabajo / Burst pressures are four times the working pressure

Especificaciones

Ventajas de las mangueras metálicas flexibles:

- Adecuada para una amplia gama de temperaturas (desde -270°C hasta 700°C)
- Compensada para la contracción y expansión del sistema de tubería
- Gran resistencia física
- Ignífuga
- Amplia vida útil
- Resistente a la humedad
- Buenas características anti corrosión
- Resistente a la abrasión, penetración y daño
- Conecta tuberías rígidas mal alineadas, absorbiendo o amortiguando la vibración
- Es una opción flexible y rápida para tuberías rígidas en ubicaciones difíciles

Modos de movimiento. Instalaciones estáticas

Instalaciones donde se utiliza la manguera flexible para conectar tuberías mal alineadas en posición estática

Flexibilidad ocasional

Instalaciones donde se requiere una manguera con flexibilidad ocasional, como un equipo de funcionamiento manual

Flexibilidad constante

Instalaciones donde se requiere una manguera con flexibilidad constante, normalmente maquinaria en movimiento

Vibración

Alta frecuencia, movimiento de baja amplitud. Un compresor, por ejemplo.

Specifications

Advantages of Flexible Metal Hoses

- Suitable for wide temperature range (-270°C to 700°C)
- Compensates for thermal expansion contraction in the piping system
- High physical strength
- Fire resistant
- Moisture resistant
- Longer Life
- Good corrosion characteristics
- Resistant to abrasion, penetration and damage
- Connects misaligned rigid piping absorbs or dampens vibration and similar equipments
- A flexible and quick option for rigid piping in difficult locations

Modes of Movements Static Installations

Where the flexible hose is used to connect misaligned pipes and remain in static position.

Occasional Flexing

Where the hose is required to flex occasionally, such as manually operated equipment.

Constant Flexing

When the hose is required to flex continuously, usually in moving machinery.

Vibration

High frequency, low amplitude movement.

Medidas / Measures

Tamaño manguera / Hose size			Ø Ext.	Presiones trabajo / Working pressures		Presión prueba / Pressure test		Radio curvat. / Bend radius
pulg./inch.	ref.	DN	mm	bar	psi	bar	psi	mm
1/4"	7500-06	6	9,6	100	1450	150	2175	100
3/8"	7500-10	10	14,3	90	1305	135	1957	100
1/2"	7500-13	12	16,7	80	1160	120	1740	120
3/4"	7500-19	20	26,8	64	928	96	1392	160
1"	7500-25	25	32,2	50	725	75	1087	180
1 ¼"	7500-32	32	41,1	40	580	60	870	210
1 ½"	7500-38	40	49,8	30	435	45	652	240
2"	7500-50	50	60,3	28	406	42	609	280
2 ½"	7500-64	65	81,0	24	348	36	522	330
3"	7500-76	80	95,3	18	261	27	391	460
4"	7500-101	100	117,0	16	232	24	348	530
5"	7500-127	125	149,0	12	174	18	261	800
6"	7500-152	150	175,0	10	145	15	217	1050

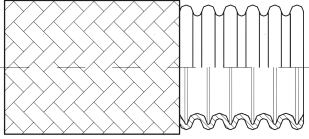
Estos valores de presión son para fluidos y temperatura ambiente de 20°C. Para temperaturas más altas aplique los factores de corrección que se indican en la siguiente tabla / La presión de rotura es 4 veces la presión máxima de trabajo.

These pressure values are fluid and ambient temperature of 20 °C. For higher temperatures apply the correction factors listed in the following table / The burst pressure is 4 times the maximum working pressure.

Factor de corrección / Correction factor

Temp. °C	-200	-150	-100	-50	0	20	50	100	150	200	250	300	350	400	450	500	550	600	650	700
F. Correc.	1.00	1.00	1.00	1.00	1.00	1.00	0.92	0.83	0.75	0.69	0.65	0.61	0.58	0.56	0.54	0.53	0.52	0.34	0.19	0.10

Ref: **7500**



Características técnicas / Technical Features

Tubo interior / Inner tube: **AISI-316L**
 Refuerzo ext. / Ext. reinf: **AISI-304**
 Temperatura: -200°C / +550°C (sujeto a factor de corrección)
 Temperature: -328°F / +1022°F (subject to correction factor)
 Observaciones: Las presiones de rotura son cuatro veces las presiones de trabajo
 Observations: Burst pressures are four times the working pressure

Especificaciones

Ventajas de las mangueras metálicas flexibles:

- Adecuada para una amplia gama de temperaturas (desde -200°C hasta 550°C)
- Compensada para la contracción y expansión del sistema de tubería
- Gran resistencia física
- Ignífuga
- Amplia vida útil
- Resistente a la humedad
- Buenas características anti corrosión
- Resistente a la abrasión, penetración y daño
- Conecta tuberías rígidas mal alineadas, absorbiendo o amortiguando la vibración
- Es una opción flexible y rápida para tuberías rígidas en ubicaciones difíciles

Modos de movimiento. Instalaciones estáticas

Instalaciones donde se utiliza la manguera flexible para conectar tuberías mal alineadas en posición estática

Flexibilidad ocasional

Instalaciones donde se requiere una manguera con flexibilidad ocasional, como un equipo de funcionamiento manual

Flexibilidad constante

Instalaciones donde se requiere una manguera con flexibilidad constante, normalmente maquinaria en movimiento

Vibración

Alta frecuencia, movimiento de baja amplitud. Un compresor, por ejemplo.

Specifications

Advantages of Flexible Metal Hoses

- Suitable for wide temperature range (-200°C to 550°C)
- Compensates for thermal expansion contraction in the piping system
- High physical strength
- Fire resistant
- Moisture resistant
- Longer Life
- Good corrosion characteristics
- Resistant to abrasion, penetration and damage
- Connects misaligned rigid piping absorbs or dampens vibration and similar equipments
- A flexible and quick option for rigid piping in difficult locations

Modes of Movements Static Installations

Where the flexible hose is used to connect misaligned pipes and remain in static position.

Occasional Flexing

Where the hose is required to flex occasionally, such as manually operated equipment.

Constant Flexing

When the hose is required to flex continuously, usually in moving machinery.

Vibration

High frequency, low amplitude movement.

Medidas / Measures

Tamaño manguera Hose size			Ø Ext.	Presiones trabajo Working pressures		Presión prueba Pressure test		Radio curvat. Bend radius
pulg./inch.	ref.	DN	mm	bar	psi	bar	psi	mm
1/4"	7500-06	6,00	10,80	125	1810	188	2726	124
3/8"	7500-10	10,10	15,50	90	1305	135	1957	152
1/2"	7500-12	12,40	18,00	80	1160	120	1740	175
3/4"	7500-20	20,30	27,80	64	928	96	1392	180
1"	7500-25	25,40	33,50	50	725	75	1087	229
1 ¼"	7500-32	33,60	43,60	40	580	60	870	267
1 ½"	7500-40	39,80	53,20	30	435	45	652	292
2"	7500-50	50,20	63,60	28	406	42	609	318
2 ½"	7500-65	66,00	79,00	27	390	41	594	508
3"	7500-80	76,00	93,00	24	348	36	522	610
4"	7500-100	103,20	119,50	16	232	24	348	750
5"	7500-125	125,00	151,00	14	200	21	304	900
6"	7500-150	151,00	180,00	10	145	15	217	1050
8"	7500-200	197,50	230,00	8	116	12	174	1180

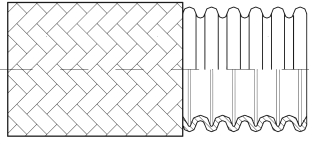
Estos valores de presión son para fluidos y temperatura ambiente de 20°C. Para temperaturas más altas aplique los factores de corrección que se indican en la siguiente tabla / La presión de rotura es 4 veces la presión máxima de trabajo.

These pressure values are fluid and ambient temperature of 20 °C. For higher temperatures apply the correction factors listed in the following table/ The burst pressure is 4 times the maximum working pressure.

Factor de corrección / Correction factor

Temp. °C	-200	-150	-100	-50	0	20	50	100	150	200	250	300	350	400	450	500	550
F. Correc.	1.00	1.00	1.00	1.00	1.00	1.00	0.88	0.74	0.67	0.62	0.58	0.54	0.52	0.50	0.48	0.47	0.47

Ref: **7321**



Características técnicas / Technical Features

Tubo interior / Inner tube:	AISI-321
Refuerzo ext. / Ext. reinf:	AISI-304
Temperatura: / Temperature	-270°C / +700°C (sujeto a factor de corrección) / -454°F / +1292°F (subject to correction factor)
Observaciones: / Observations	Las presiones de rotura son cuatro veces las presiones de trabajo / Burst pressures are four times the working pressure

Especificaciones

Ventajas de las mangueras metálicas flexibles:

- Adecuada para una amplia gama de temperaturas (desde -270°C hasta 700°C)
- Compensada para la contracción y expansión del sistema de tubería
- Gran resistencia física
- Ignífuga
- Amplia vida útil
- Resistente a la humedad
- Buenas características anti corrosión
- Resistente a la abrasión, penetración y daño
- Conecta tuberías rígidas mal alineadas, absorbiendo o amortiguando la vibración
- Es una opción flexible y rápida para tuberías rígidas en ubicaciones difíciles

Modos de movimiento. Instalaciones estáticas

Instalaciones donde se utiliza la manguera flexible para conectar tuberías mal alineadas en posición estática

Flexibilidad ocasional

Instalaciones donde se requiere una manguera con flexibilidad ocasional, como un equipo de funcionamiento manual

Flexibilidad constante

Instalaciones donde se requiere una manguera con flexibilidad constante, normalmente maquinaria en movimiento

Vibración

Alta frecuencia, movimiento de baja amplitud. Un compresor, por ejemplo.

Specifications

Advantages of Flexible Metal Hoses

- Suitable for wide temperature range (-270°C to 700°C)
- Compensates for thermal expansion contraction in the piping system
- High physical strength
- Fire resistant
- Moisture resistant
- Longer Life
- Good corrosion characteristics
- Resistant to abrasion, penetration and damage
- Connects misaligned rigid piping absorbs or dampens vibration and similar equipments
- A flexible and quick option for rigid piping in difficult locations

Modes of Movements Static Installations

Where the flexible hose is used to connect misaligned pipes and remain in static position.

Occasional Flexing

Where the hose is required to flex occasionally, such as manually operated equipment.

Constant Flexing

When the hose is required to flex continuously, usually in moving machinery.

Vibration

High frequency, low amplitude movement.

Medidas / Measures

Tamaño manguera / Hose size			Ø Ext. mm	Presiones trabajo / Working pressures		Presión prueba / Pressure test		Radio curvat. / Bend radius mm
pulg./inch.	ref.	DN		bar	psi	bar	psi	
1/4"	7321-06	6	9,6	102	1479	153	2218	100
3/8"	7321-10	10	14,3	92	1334	138	2001	150
1/2"	7321-13	12	16,8	82	1189	122	1769	200
3/4"	7321-19	20	26,6	65	943	98	1421	200
1"	7321-25	25	32,3	51	740	76	1102	200
1 ¼"	7321-32	32	41,1	41	595	61	884	250
1 ½"	7321-38	40	49,5	31	450	46	667	250
2"	7321-50	50	60,5	29	421	43	623	350
2 ½"	7321-64	65	81	24	348	37	536	410
3"	7321-76	80	95,5	18	261	28	406	450
4"	7321-101	100	117	16	232	24	348	560
5"	7321-127	125	149	12	174	18	261	660
6"	7321-152	150	175	10	145	15	217	815

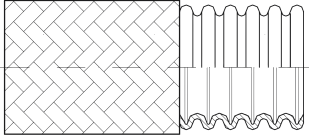
Estos valores de presión son para fluidos y temperatura ambiente de 20°C. Para temperaturas más altas aplique los factores de corrección que se indican en la siguiente tabla / La presión de rotura es 4 veces la presión máxima de trabajo.

These pressure values are fluid and ambient temperature of 20 °C. For higher temperatures apply the correction factors listed in the following table / The burst pressure is 4 times the maximum working pressure.

Factor de corrección / Correction factor

Temp. °C	-200	-150	-100	-50	0	20	50	100	150	200	250	300	350	400	450	500	550	600	650	700
F. Correc.	1.00	1.00	1.00	1.00	1.00	1.00	0.92	0.83	0.75	0.69	0.65	0.61	0.58	0.56	0.54	0.53	0.52	0.34	0.19	0.10

Ref: **7321**



Características técnicas / Technical Features

Tubo interior / Inner tube: **AISI-321**
 Refuerzo ext. / Ext. reinf: **AISI-304**
 Temperatura: -200°C / +550°C (sujeto a factor de corrección)
 Temperature: -328°F / +1022°F (subject to correction factor)
 Observaciones: Las presiones de rotura son cuatro veces las presiones de trabajo
 Observations: Burst pressures are four times the working pressure

Especificaciones

Ventajas de las mangueras metálicas flexibles:

- Adecuada para una amplia gama de temperaturas (desde -200°C hasta 550°C)
- Compensada para la contracción y expansión del sistema de tubería
- Gran resistencia física
- Ignífuga
- Amplia vida útil
- Resistente a la humedad
- Buenas características anti corrosión
- Resistente a la abrasión, penetración y daño
- Conecta tuberías rígidas mal alineadas, absorbiendo o amortiguando la vibración
- Es una opción flexible y rápida para tuberías rígidas en ubicaciones difíciles

Modos de movimiento. Instalaciones estáticas

Instalaciones donde se utiliza la manguera flexible para conectar tuberías mal alineadas en posición estática

Flexibilidad ocasional

Instalaciones donde se requiere una manguera con flexibilidad ocasional, como un equipo de funcionamiento manual

Flexibilidad constante

Instalaciones donde se requiere una manguera con flexibilidad constante, normalmente maquinaria en movimiento

Vibración

Alta frecuencia, movimiento de baja amplitud. Un compresor, por ejemplo.

Specifications

Advantages of Flexible Metal Hoses

- Suitable for wide temperature range (-200°C to 550°C)
- Compensates for thermal expansion contraction in the piping system
- High physical strength
- Fire resistant
- Moisture resistant
- Longer Life
- Good corrosion characteristics
- Resistant to abrasion, penetration and damage
- Connects misaligned rigid piping absorbs or dampens vibration and similar equipments
- A flexible and quick option for rigid piping in difficult locations

Modes of Movements Static Installations

Where the flexible hose is used to connect misaligned pipes and remain in static position.

Occasional Flexing

Where the hose is required to flex occasionally, such as manually operated equipment.

Constant Flexing

When the hose is required to flex continuously, usually in moving machinery.

Vibration

High frequency, low amplitude movement.

Medidas / Measures

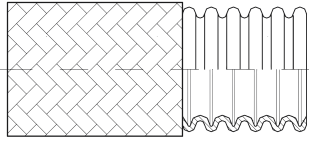
Tamaño manguera Hose size			Ø Ext.	Presiones trabajo Working pressures		Presión prueba Pressure test		Radio curvat. Bend radius
pulg./inch.	ref.	DN	mm	bar	psi	bar	psi	mm
1/4"	7321-06	6,00	10,80	125	1810	188	2726	124
3/8"	7321-10	10,10	15,50	90	1305	135	1957	152
1/2"	7321-12	12,40	18,00	80	1160	120	1740	175
3/4"	7321-20	20,30	27,80	64	928	96	1392	180
1"	7321-25	25,40	33,50	50	725	75	1087	229
1 ¼"	7321-32	33,60	43,60	40	580	60	870	267
1 ½"	7321-40	39,80	53,20	30	435	45	652	292
2"	7321-50	50,20	63,60	28	406	42	609	318
2 ½"	7321-65	66,00	79,00	27	390	41	594	508
3"	7321-80	76,00	93,00	24	348	36	522	610
4"	7321-100	103,20	119,50	16	232	24	348	750
5"	7321-125	125,00	151,00	14	200	21	304	900
6"	7321-150	151,00	180,00	10	145	15	217	1050
8"	7321-200	197,50	230,00	8	116	12	174	1180

Estos valores de presión son para fluidos y temperatura ambiente de 20°C. Para temperaturas más altas aplique los factores de corrección que se indican en la siguiente tabla / La presión de rotura es 4 veces la presión máxima de trabajo.

These pressure values are fluid and ambient temperature of 20 °C. For higher temperatures apply the correction factors listed in the following table/ The burst pressure is 4 times the maximum working pressure.

Temp. °C	-200	-150	-100	-50	0	20	50	100	150	200	250	300	350	400	450	500	550
F. Correc.	1.00	1.00	1.00	1.00	1.00	1.00	0.92	0.83	0.78	0.74	0.71	0.67	0.64	0.62	0.61	0.60	0.59

Ref: **7325**



Características técnicas / Technical Features

Tubo interior / Inner tube:	AISI-321
Refuerzo ext. / Ext. reinf:	2 MALLAS AISI-304 / 2 AISI-304 BRAIDS
Temperatura: / Temperature	-270°C / +700°C (sujeto a factor de corrección) / -454°F / +1292°F (subject to correction factor)
Observaciones: / Observations	Las presiones de rotura son cuatro veces las presiones de trabajo / Burst pressures are four times the working pressure

Especificaciones

Ventajas de las mangueras metálicas flexibles:

- Adecuada para una amplia gama de temperaturas (desde -270°C hasta 700°C)
- Compensada para la contracción y expansión del sistema de tubería
- Gran resistencia física
- Ignífuga
- Amplia vida útil
- Resistente a la humedad
- Buenas características anti corrosión
- Resistente a la abrasión, penetración y daño
- Conecta tuberías rígidas mal alineadas, absorbiendo o amortiguando la vibración
- Es una opción flexible y rápida para tuberías rígidas en ubicaciones difíciles

Modos de movimiento. Instalaciones estáticas

Instalaciones donde se utiliza la manguera flexible para conectar tuberías mal alineadas en posición estática

Flexibilidad ocasional

Instalaciones donde se requiere una manguera con flexibilidad ocasional, como un equipo de funcionamiento manual

Flexibilidad constante

Instalaciones donde se requiere una manguera con flexibilidad constante, normalmente maquinaria en movimiento

Vibración

Alta frecuencia, movimiento de baja amplitud. Un compresor, por ejemplo.

Specifications

Advantages of Flexible Metal Hoses

- Suitable for wide temperature range (-270°C to 700°C)
- Compensates for thermal expansion contraction in the piping system
- High physical strength
- Fire resistant
- Moisture resistant
- Longer Life
- Good corrosion characteristics
- Resistant to abrasion, penetration and damage
- Connects misaligned rigid piping absorbs or dampens vibration and similar equipments
- A flexible and quick option for rigid piping in difficult locations

Modes of Movements Static Installations

Where the flexible hose is used to connect misaligned pipes and remain in static position.

Occasional Flexing

Where the hose is required to flex occasionally, such as manually operated equipment.

Constant Flexing

When the hose is required to flex continuously, usually in moving machinery.

Vibration

High frequency, low amplitude movement.

Medidas / Measures

Tamaño manguera / Hose size			Ø Ext.	Presiones trabajo / Working pressures		Presión prueba / Pressure test		Radio curvat. / Bend radius
pulg./inch.	ref.	DN	mm	bar	psi	bar	psi	mm
1/4"	7325-06	6	9,6	160	2320	240	3480	100
1/2"	7325-13	12	16,8	112	1624	168	2436	200
3/4"	7325-19	20	26,6	102	1479	153	2218	200
1"	7325-25	25	32,3	80	1160	120	1740	200
1 ¼"	7325-32	32	41,1	64	928	96	1392	250
1 ½"	7325-38	40	49,5	48	696	72	1044	250
2"	7325-50	50	60,5	44	638	66	957	350
2 ½"	7325-64	65	81	38	551	57	826	410
3"	7325-76	80	95,5	28	406	42	609	450
4"	7325-101	100	117	26	377	39	565	560

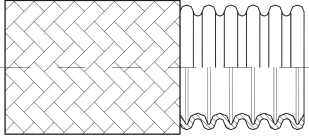
Estos valores de presión son para fluidos y temperatura ambiente de 20°C. Para temperaturas más altas aplique los factores de corrección que se indican en la siguiente tabla / La presión de rotura es 4 veces la presión máxima de trabajo.

These pressure values are fluid and ambient temperature of 20 °C. For higher temperatures apply the correction factors listed in the following table / The burst pressure is 4 times the maximum working pressure.

Factor de corrección / Correction factor

Temp. °C	-200	-150	-100	-50	0	20	50	100	150	200	250	300	350	400	450	500	550	600	650	700
F. Correc.	1.00	1.00	1.00	1.00	1.00	1.00	0.92	0.83	0.75	0.69	0.65	0.61	0.58	0.56	0.54	0.53	0.52	0.34	0.19	0.10

Ref: **7325**



Características técnicas / Technical Features

Tubo interior / Inner tube: **AISI-321**
 Refuerzo ext. / Ext. reinf: **2 MALLAS AISI-304 / 2 AISI-304 BRAIDS**
 Temperatura: **-270°C / +700°C (sujeto a factor de corrección)**
Temperature **-454°F / +1292°F (subject to correction factor)**
 Observaciones: **Las presiones de rotura son cuatro veces las presiones de trabajo**
Observations **Burst pressures are four times the working pressure**

Especificaciones

Ventajas de las mangueras metálicas flexibles:

- Adecuada para una amplia gama de temperaturas (desde -200°C hasta 550°C)
- Compensada para la contracción y expansión del sistema de tubería
- Gran resistencia física
- Ignífuga
- Amplia vida útil
- Resistente a la humedad
- Buenas características anti corrosión
- Resistente a la abrasión, penetración y daño
- Conecta tuberías rígidas mal alineadas, absorbiendo o amortiguando la vibración
- Es una opción flexible y rápida para tuberías rígidas en ubicaciones difíciles

Modos de movimiento. Instalaciones estáticas

Instalaciones donde se utiliza la manguera flexible para conectar tuberías mal alineadas en posición estática

Flexibilidad ocasional

Instalaciones donde se requiere una manguera con flexibilidad ocasional, como un equipo de funcionamiento manual

Flexibilidad constante

Instalaciones donde se requiere una manguera con flexibilidad constante, normalmente maquinaria en movimiento

Vibración

Alta frecuencia, movimiento de baja amplitud. Un compresor, por ejemplo.

Specifications

Advantages of Flexible Metal Hoses

- Suitable for wide temperature range (-200°C to 550°C)
- Compensates for thermal expansion contraction in the piping system
- High physical strength
- Fire resistant
- Moisture resistant
- Longer Life
- Good corrosion characteristics
- Resistant to abrasion, penetration and damage
- Connects misaligned rigid piping absorbs or dampens vibration and similar equipments
- A flexible and quick option for rigid piping in difficult locations

Modes of Movements Static Installations

Where the flexible hose is used to connect misaligned pipes and remain in static position.

Occasional Flexing

Where the hose is required to flex occasionally, such as manually operated equipment.

Constant Flexing

When the hose is required to flex continuously, usually in moving machinery.

Vibration

High frequency, low amplitude movement.

Medidas / Measures

Tamaño manguera Hose size			Ø Ext.	Presiones trabajo Working pressures		Presión prueba Pressure test		Radio curvat. Bend radius
pulg./inch.	ref.	DN	mm	bar	psi	bar	psi	mm
1/4"	7325-06	6,00	12,00	188	2726	282	4089	124
3/8"	7325-10	10,10	16,70	135	1957	203	2943	152
1/2"	7325-12	12,40	19,20	120	1740	180	2610	175
3/4"	7325-20	20,30	29,00	96	1392	144	2088	180
1"	7325-25	25,40	34,70	75	1087	113	1638	229
1 ¼"	7325-32	33,60	45,20	60	870	90	1305	267
1 ½"	7325-40	39,80	54,80	45	652	68	986	292
2"	7325-50	50,20	64,90	42	609	63	913	318
2 ½"	7325-65	66,00	81,00	41	594	62	899	508
3"	7325-80	76,00	95,00	36	522	54	783	610
4"	7325-100	103,20	121,50	24	348	36	522	750

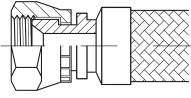
Estos valores de presión son para fluidos y temperatura ambiente de 20°C. Para temperaturas más altas aplique los factores de corrección que se indican en la siguiente tabla / La presión de rotura es 4 veces la presión máxima de trabajo.

These pressure values are fluid and ambient temperature of 20 ° C. For higher temperatures apply the correction factors listed in the following table/ The burst pressure is 4 times the maximum working pressure.

Factor de corrección / Correction factor

Temp. °C	-200	-150	-100	-50	0	20	50	100	150	200	250	300	350	400	450	500	550
F. Correc.	1.00	1.00	1.00	1.00	1.00	1.00	0.92	0.83	0.78	0.74	0.71	0.67	0.64	0.62	0.61	0.60	0.59

Tuerca giratoria
Swivel nut

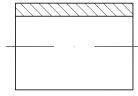


Disponible en:
- Acero carbono
- Acero inoxidable

Available in:
- Carbon steel
- Stainless steel

ROSCA JIC Thread JIC	REF.
7/16"-20h	769-04-04
1/2"-20h	769-05-05
9/16"-18h	769-06-06
3/4"-16h	769-08-08
7/8"-14h	769-10-10
1 1/16"-12h	769-12-12
1 5/16"-12h	769-16-16
1 5/8"-12h	769-20-20
1 7/8"-12h	769-24-24
2 1/2"-12h	769-32-32

Casquillos
Nipples

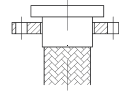


Disponible en:
- Acero inoxidable

Available in:
- Stainless steel

Ø MANGUERA Ø Hose	REF.
6	41708-06
10	41708-10
13	41708-13
19	41708-19
25	41708-25
32	41708-32
38	41708-38
51	41708-50
64	41708-64
76	41708-76
102	41708-100
125	41708-127
150	41708-152

Brida giratoria DIN
Swivel flange DIN

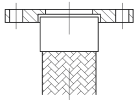


Disponible en:
- Acero carbono
- AISI 304
- AISI 316

Available in:
- Carbon steel
- AISI 304
- AISI 316

DN	REF.
1/2"	2576-13 + 43508-13
3/4"	2576-19 + 43508-19
1"	2576-25 + 43508-25
1 1/4"	2576-32 + 43508-32
1 1/2"	2576-38 + 43508-38
2"	2576-50 + 43508-50
2 1/2"	2576-64 + 43508-64
3"	2576-76 + 43508-76
4"	2576-100 + 43508-100
5"	2576-127 + 43508-127
6"	2576-152 + 43508-150

Brida fija DIN PN16
Fix flange DIN PN16

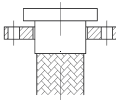


Disponible en:
- Acero carbono
- AISI 304
- AISI 316

Available in:
- Carbon steel
- AISI 304
- AISI 316

DN	REF.
1/2"	2633-13
3/4"	2633-19
1"	2633-25
1 1/4"	2633-32
1 1/2"	2633-38
2"	2633-50
2 1/2"	2633-64
3"	2633-76
4"	2633-100
5"	2633-125
6"	2633-150

Brida giratoria ASA 150 Lbs
Swivel flange ASA 150 Lbs

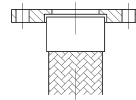


Disponible en:
- Acero carbono
- AISI 304
- AISI 316

Available in:
- Carbon steel
- AISI 304
- AISI 316

DN	REF.
1/2"	43619/150 + 43508-13
3/4"	43620/150 + 43508-19
1"	43621/150 + 43508-25
1 1/4"	43622/150 + 43508-32
1 1/2"	43623/150 + 43508-38
2"	43624/150 + 43508-50
2 1/2"	43625/150 + 43508-64
3"	43626/150 + 43508-76
4"	43627/150 + 43508-100

Brida fija ASA 150 Lbs
Fix flange ASA 150 Lbs

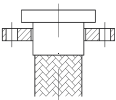


Disponible en:
- Acero carbono
- AISI 304
- AISI 316

Available in:
- Carbon steel
- AISI 304
- AISI 316

DN	REF.
1/2"	43628/150
3/4"	43629/150
1"	43630/150
1 1/4"	43631/150
1 1/2"	43632/150
2"	43633/150
2 1/2"	43634/150
3"	43635/150
4"	43636/150

Brida giratoria ASA 300 Lbs
Swivel flange ASA 300 Lbs

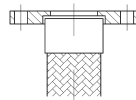


Disponible en:
- Acero carbono
- AISI 304
- AISI 316

Available in:
- Carbon steel
- AISI 304
- AISI 316

DN	REF.
1/2"	43619/300 + 43508-13
3/4"	43620/300 + 43508-19
1"	43621/300 + 43508-25
1 1/4"	43622/300 + 43508-32
1 1/2"	43623/300 + 43508-38
2"	43624/300 + 43508-50
2 1/2"	43625/300 + 43508-64
3"	43626/300 + 43508-76
4"	43627/300 + 43508-100

Brida fija ASA 300 Lbs
Fix flange ASA 300 Lbs

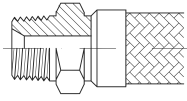


Disponible en:
- Acero carbono
- AISI 304
- AISI 316

Available in:
- Carbon steel
- AISI 304
- AISI 316

DN	REF.
1/2"	43628/300
3/4"	43629/300
1"	43630/300
1 1/4"	43631/300
1 1/2"	43632/300
2"	43633/300
2 1/2"	43634/300
3"	43635/300
4"	43636/300

Macho cónico
Conical Male

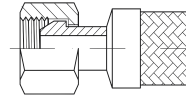


Disponibile en:
- Acero carbono
- Acero inoxidable

Available in:
- Carbon steel
- Stainless steel

ROSCA BSPT Thread BSPT	ROSCA NPT Thread NPT	REF. BSPT	REF. NPT
1/4"-19h	1/4"-18h	668-04-04	768-04-04
3/8"-19h	3/8"-18h	668-06-06	768-06-06
1/2"-14h	1/2"-14h	668-08-08	768-08-08
3/4"-14h	3/4"-14h	668-12-12	768-12-12
1"-11h	1"-11,5h	668-16-16	768-16-16
1 1/4"-11h	1 1/4"-11,5h	668-20-20	768-20-20
1 1/2"-11h	1 1/2"-11,5h	668-24-24	768-24-24
2"-11h	2"-11,5h	668-32-32	768-32-32
2 1/2"-11h"	2 1/2"-8h	668-40-40	768-40-40
3"-11h	3"-8h	668-48-48	768-48-48
4"-11h	4"-8h	668-64-64	768-64-64

Tuerca giratoria
Swivel nut

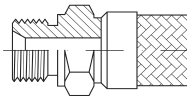


Disponibile en:
- Acero carbono
- Acero inoxidable

Available in:
- Carbon steel
- Stainless steel

ROSCA BSP Thread BSP	REF. BOQUILLA	REF. TUERCA
1/4"-19h	631-04-04	630-04-04
3/8"-19h	631-06-06	630-06-06
1/2"-14h	631-08-08	630-08-08
3/4"-14h	631-12-12	630-12-12
1"-11h	631-16-16	630-16-16
1 1/4"-11h	631-20-20	630-20-20
1 1/2"-11h	631-24-24	630-24-24
2"-11h	631-32-32	630-32-32
2 1/2"-11h"	631-40-40	630-40-40
3"-11h	631-48-48	630-48-48
4"-11h	631-64-64	630-64-64

Macho cilíndrico
Cylindrical Male

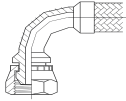


Disponibile en:
- Acero carbono
- Acero inoxidable

Available in:
- Carbon steel
- Stainless steel

ROSCA BSP Thread BSP	REF.
1/4"-19h	666-04-04
3/8"-19h	666-06-06
1/2"-14h	666-08-08
3/4"-14h	666-12-12
1"-11h	666-16-16
1 1/4"-11h	666-20-20
1 1/2"-11h	666-24-24
2"-11h	666-32-32
2 1/2"-11h	666-40-40
3"-11h	666-48-48
4"	666-64-64

Tuerca giratoria 90°
Swivel 90° nut

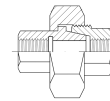


Disponibile en:
- Acero carbono
- Acero inoxidable

Available in:
- Carbon steel
- Stainless steel

ROSCA BSP Thread BSP	REF.
1/4"-19h	600-04-04
3/8"-19h	600-06-06
1/2"-14h	600-08-08
3/4"-14h	600-12-12
1"-11h	600-16-16
1 1/4"-11h	600-20-20
1 1/2"-11h	600-24-24
2"-11h	600-32-32

Enlace hembra
Female link



Disponibile en:
- Acero carbono
- Acero inoxidable

Available in:
- Carbon steel
- Stainless steel

ROSCA BSP Thread BSP	REF.
1/4"-19h	340-04
3/8"-19h	340-06
1/2"-14h	340-08
3/4"-14h	340-12
1"-11h	340-16
1 1/4"-11h	340-20
1 1/2"-11h	340-24
2"-11h	340-32



P.I. EL PINO. C/ Pino Central nº 24, 41016. SEVILLA

☎ [+34] 955 387 199 | info@BRAMAH.es

www.BRAMAH.es